

INDEX

STANDARD DRAWINGS (ARCHITECTURAL DETAILS)

Drawing No.	Description
2880	
2880_01 (11/95)	PROJECT SIGNBOARD DETAIL - STRUCTURAL FRAME FOR TYPE 1
2880_02 (11/95)	PROJECT SIGNBOARD DETAIL - STRUCTURAL FRAME FOR TYPE 1
2880_03 (11/95)	PROJECT SIGNBOARD DETAIL - STRUCTURAL FRAME FOR TYPE 1
2880_04 (01/97)	PROJECT SIGNBOARD DETAIL - STRUCTURAL FRAME FOR TYPE 1 & 3
2880_05 (11/95)	PROJECT SIGNBOARD DETAIL - STRUCTURAL FRAME FOR TYPE 1
2880_06 (01/97)	PROJECT SIGNBOARD DETAIL - STRUCTURAL FRAME FOR TYPE 1 & 3
2880_07 (01/97)	PROJECT SIGNBOARD DETAIL - STRUCTURAL FRAME FOR TYPE 2 & 4
2880_08 (01/97)	PROJECT SIGNBOARD DETAIL - STRUCTURAL FRAME FOR TYPE 2 & 4
2880_09 (01/97)	PROJECT SIGNBOARD DETAIL - STRUCTURAL FRAME FOR TYPE 2 & 4
2880_10 (01/97)	PROJECT SIGNBOARD DETAIL - STRUCTURAL FRAME FOR TYPE 2 & 4
2880_11 (01/97)	PROJECT SIGNBOARD DETAIL – SCHEDULE OF STRUCTURAL MEMBERS FOR BOARD TYPE 1 & 3
2880_12 (01/97)	PROJECT SIGNBOARD DETAIL - SCHEDULE OF STRUCTURAL MEMBERS FOR BOARD TYPE 2 & 4
2880_13 (01/97)	PROJECT SIGNBOARD DETAIL - STRUCTURAL FRAME FOR TYPE 3
2880_14 (01/97)	PROJECT SIGNBOARD DETAIL - STRUCTURAL FRAME FOR TYPE 3
2880_15 (01/97)	PROJECT SIGNBOARD DETAIL - STRUCTURAL FRAME FOR TYPE 3
2880_16 (01/97)	PROJECT SIGNBOARD DETAIL - STRUCTURAL FRAME FOR TYPE 3
7110	
7110_01 (11/95)	ARCH. S.D. LOGO - TYPE A
7110_02 (11/95)	ARCH. S.D. LOGO - TYPE B
7110_03 (11/95)	ARCH. S.D. LOGO - SETTING OUT
7110_12 (02/98)	H.K.J.C. LOGO – SETTING OUT
7116	
7116_01 (09/00)	DISPLAY SIGN FOR MAN-MADE SLOPES /RETAINING WALLS (1 OF 5)
7116_02 (09/00)	DISPLAY SIGN FOR MAN-MADE SLOPES /RETAINING WALLS (2 OF 5)
7116_03 (09/00)	DISPLAY SIGN FOR MAN-MADE SLOPES /RETAINING WALLS (3 OF 5)
7116_04 (09/00)	DISPLAY SIGN FOR MAN-MADE SLOPES /RETAINING WALLS (4 OF 5)
7116_05 (03/18)	DISPLAY SIGN FOR MAN-MADE SLOPES /RETAINING WALLS (5 OF 5)
7121	
7121_01 (03/18)	PROJECT SIGNBOARD DETAIL - TYPE 1
7121_02 (03/18)	PROJECT SIGNBOARD DETAIL - TYPE 2
7121_03 (03/18)	PROJECT SIGNBOARD DETAIL - SECTION A - A
7121_04 (01/97)	PROJECT SIGNBOARD DETAIL - SIZE OF BOARDS FOR TYPE 1
7121_05 (01/97)	PROJECT SIGNBOARD DETAIL - SIZE OF BOARDS FOR TYPE 2 & 4
7121_06 (03/18)	PROJECT SIGNBOARD DETAIL - TYPE 3
7121_07 (03/18)	PROJECT SIGNBOARD DETAIL - TYPE 4
7121_08 (01/97)	PROJECT SIGNBOARD DETAIL - SIZE OF BOARDS FOR TYPE 3
7121_09 (12/03)	PROJECT SIGNBOARD DETAIL – SIGNBOARDS FOR PROJECT TEAM MEMBERS, CONTRACTORS & SUB-CONTRACTORS
7122	
7122_01 (03/18)	GENERAL NOTES
7122_02 (03/10)	SMALL DISPLAY BOARD FOR EXPLAINING REASONS FOR APPARENTLY UNATTENDED ROAD WORKS
7122_03 (03/10)	SMALL PUBLICITY BOARD (TYPE 'A')
7122_04 (03/10)	SMALL PUBLICITY BOARD (TYPE 'B')
7122_05 (03/10)	DISPLAY BOARD FOR MOTORISTS EXPLAINING REASONS FOR APPARENTLY UNATTENDED ROAD WORKS
7122_06 (03/10)	PUBLICITY BOARD FOR MOTORISTS (TYPE 'A')
7122_07 (03/10)	PUBLICITY BOARD FOR MOTORISTS (TYPE 'B')
7122_08 (03/10)	DETAILS OF CARTOON FIGURE
7122_09 (03/10)	TEMPORARY BARRIER

INDEX

STANDARD DRAWINGS (ARCHITECTURAL DETAILS)

Drawing No.	Description
9711	
9711/A/A01	TYPE A HOARDING - CORRUGATED STEEL FENCE - GENERAL PLANS
9711/A/A02	TYPE A HOARDING - CORRUGATED STEEL FENCE - GENERAL NOTES
9711/A/A03	TYPE A HOARDING - CORRUGATED STEEL FENCE - CONSTRUCTION DETAILS 1
9711/A/A04	TYPE A HOARDING - CORRUGATED STEEL FENCE - CONSTRUCTION DETAILS 2
9711/A/A05	TYPE A HOARDING - CORRUGATED STEEL FENCE - CONSTRUCTION DETAILS 3
9711/A/S01(Rev.B)	TYPE A HOARDING - CORRUGATED STEEL FENCE - STRUCTURAL DETAILS 1
9711/A/S02	TYPE A HOARDING - CORRUGATED STEEL FENCE - STRUCTURAL DETAILS 2
9711/A/S03	TYPE A HOARDING - CORRUGATED STEEL FENCE - STRUCTURAL DETAILS 3
9711/A/S04	TYPE A HOARDING - CORRUGATED STEEL FENCE - STRUCTURAL DETAILS 4
9711/B/A01	TYPE B HOARDING - COVERED WALKWAY - GENERAL PLANS
9711/B/A02	TYPE B HOARDING - COVERED WALKWAY - GENERAL NOTES
9711/B/A03	TYPE B HOARDING - COVERED WALKWAY - CONSTRUCTION DETAILS 1
9711/B/A04	TYPE B HOARDING - COVERED WALKWAY - CONSTRUCTION DETAILS 2
9711/B/A05	TYPE B HOARDING - COVERED WALKWAY - CONSTRUCTION DETAILS 3
9711/B/A06	TYPE B HOARDING - COVERED WALKWAY - CONSTRUCTION DETAILS 4
9711/B/A07	TYPE B HOARDING - COVERED WALKWAY - CONSTRUCTION DETAILS 5
9711/B/S01(Rev.B)	TYPE B HOARDING - COVERED WALKWAY - STRUCTURAL DETAILS 1
9711/B/S02	TYPE B HOARDING - COVERED WALKWAY - STRUCTURAL DETAILS 2
9711/B/S03	TYPE B HOARDING - COVERED WALKWAY - STRUCTURAL DETAILS 3
9711/B/S04	TYPE B HOARDING - COVERED WALKWAY - STRUCTURAL DETAILS 4
9711/B/S05	TYPE B HOARDING - COVERED WALKWAY - STRUCTURAL DETAILS 5
9711/C/A01	TYPE C HOARDING - COVERED WALKWAY WITH SINGLE DECK CATCH PLATFORM - GENERAL PLANS
9711/C/A02	TYPE C HOARDING - COVERED WALKWAY WITH SINGLE DECK CATCH PLATFORM - GENERAL NOTES
9711/C/A03	TYPE C HOARDING - COVERED WALKWAY WITH SINGLE DECK CATCH PLATFORM - CONSTRUCTION DETAILS 1
9711/C/A04	TYPE C HOARDING - COVERED WALKWAY WITH SINGLE DECK CATCH PLATFORM - CONSTRUCTION DETAILS 2
9711/C/A05	TYPE C HOARDING - COVERED WALKWAY WITH SINGLE DECK CATCH PLATFORM - CONSTRUCTION DETAILS 3
9711/C/A06	TYPE C HOARDING - COVERED WALKWAY WITH SINGLE DECK CATCH PLATFORM - CONSTRUCTION DETAILS 4
9711/C/A07	TYPE C HOARDING - COVERED WALKWAY WITH SINGLE DECK CATCH PLATFORM - CONSTRUCTION DETAILS 5
9711/C/S01(Rev.B)	TYPE C HOARDING - COVERED WALKWAY WITH SINGLE DECK CATCH PLATFORM - STRUCTURAL DETAILS 1
9711/C/S02	TYPE C HOARDING - COVERED WALKWAY WITH SINGLE DECK CATCH PLATFORM - STRUCTURAL DETAILS 2
9711/C/S03	TYPE C HOARDING - COVERED WALKWAY WITH SINGLE DECK CATCH PLATFORM - STRUCTURAL DETAILS 3
9711/C/S04	TYPE C HOARDING - COVERED WALKWAY WITH SINGLE DECK CATCH PLATFORM - STRUCTURAL DETAILS 4
9711/C/S05	TYPE C HOARDING - COVERED WALKWAY WITH SINGLE DECK CATCH PLATFORM - STRUCTURAL DETAILS 5
9711/D/A01	TYPE D HOARDING - COVERED WALKWAY WITH DOUBLE DECK CATCH PLATFORM - GENERAL PLANS
9711/D/A02	TYPE D HOARDING - COVERED WALKWAY WITH DOUBLE DECK CATCH PLATFORM - GENERAL NOTES

INDEX

STANDARD DRAWINGS (ARCHITECTURAL DETAILS)

Drawing No.	Description
9711/D/A03	TYPE D HOARDING - COVERED WALKWAY WITH DOUBLE DECK CATCH PLATFORM - CONSTRUCTION DETAILS 1
9711/D/A04	TYPE D HOARDING - COVERED WALKWAY WITH DOUBLE DECK CATCH PLATFORM - CONSTRUCTION DETAILS 2
9711/D/A05	TYPE D HOARDING - COVERED WALKWAY WITH DOUBLE DECK CATCH PLATFORM - CONSTRUCTION DETAILS 3
9711/D/A06	TYPE D HOARDING - COVERED WALKWAY WITH DOUBLE DECK CATCH PLATFORM - CONSTRUCTION DETAILS 4
9711/D/A07	TYPE D HOARDING - COVERED WALKWAY WITH DOUBLE DECK CATCH PLATFORM - CONSTRUCTION DETAILS 5
9711/D/S01(Rev.B)	TYPE D HOARDING - COVERED WALKWAY WITH DOUBLE DECK CATCH PLATFORM - STRUCTURAL DETAILS 1
9711/D/S02	TYPE D HOARDING - COVERED WALKWAY WITH DOUBLE DECK CATCH PLATFORM - STRUCTURAL DETAILS 2
9711/D/S03	TYPE D HOARDING - COVERED WALKWAY WITH DOUBLE DECK CATCH PLATFORM - STRUCTURAL DETAILS 3
9711/D/S04	TYPE D HOARDING - COVERED WALKWAY WITH DOUBLE DECK CATCH PLATFORM - STRUCTURAL DETAILS 4
9711/D/S05	TYPE D HOARDING - COVERED WALKWAY WITH DOUBLE DECK CATCH PLATFORM - STRUCTURAL DETAILS 5
9711/E/A01	TYPE E HOARDING - CORRUGATED STEEL FENCE (SURFACE - MOUNTED FOOTING) - GENERAL PLANS
9711/E/A02	TYPE E HOARDING - CORRUGATED STEEL FENCE (SURFACE - MOUNTED FOOTING) - GENERAL NOTES
9711/E/A03	TYPE E HOARDING - CORRUGATED STEEL FENCE (SURFACE - MOUNTED FOOTING) - CONSTRUCTION DETAILS 1
9711/E/A04	TYPE E HOARDING - CORRUGATED STEEL FENCE (SURFACE - MOUNTED FOOTING) - CONSTRUCTION DETAILS 2
9711/E/A05	TYPE E HOARDING - CORRUGATED STEEL FENCE (SURFACE - MOUNTED FOOTING) - CONSTRUCTION DETAILS 3
9711/E/S01(Rev.B)	TYPE E HOARDING - CORRUGATED STEEL FENCE (SURFACE - MOUNTED FOOTING) - STRUCTURAL DETAILS 1
9711/E/S02	TYPE E HOARDING - CORRUGATED STEEL FENCE (SURFACE - MOUNTED FOOTING) - STRUCTURAL DETAILS 2
9711/E/S03	TYPE E HOARDING - CORRUGATED STEEL FENCE (SURFACE - MOUNTED FOOTING) - STRUCTURAL DETAILS 3
9711/E/S04	TYPE E HOARDING - CORRUGATED STEEL FENCE (SURFACE - MOUNTED FOOTING) - STRUCTURAL DETAILS 4
9711/F/A01	TYPE F HOARDING - COVERED WALKWAY (SURFACE - MOUNTED FOOTING) - GENERAL PLANS
9711/F/A02	TYPE F HOARDING - COVERED WALKWAY (SURFACE - MOUNTED FOOTING) - GENERAL NOTES
9711/F/A03	TYPE F HOARDING - COVERED WALKWAY (SURFACE - MOUNTED FOOTING) - CONSTRUCTION DETAILS 1
9711/F/A04	TYPE F HOARDING - COVERED WALKWAY (SURFACE - MOUNTED FOOTING) - CONSTRUCTION DETAILS 2
9711/F/A05	TYPE F HOARDING - COVERED WALKWAY (SURFACE - MOUNTED FOOTING) - CONSTRUCTION DETAILS 3
9711/F/A06	TYPE F HOARDING - COVERED WALKWAY (SURFACE - MOUNTED FOOTING) - CONSTRUCTION DETAILS 4
9711/F/A07	TYPE F HOARDING - COVERED WALKWAY (SURFACE - MOUNTED FOOTING) - CONSTRUCTION DETAILS 5
9711/F/S01(Rev.B)	TYPE F HOARDING - COVERED WALKWAY (SURFACE - MOUNTED FOOTING) - STRUCTURAL DETAILS 1

INDEX

STANDARD DRAWINGS (ARCHITECTURAL DETAILS)

Drawing No.	Description
9711/F/S02	TYPE F HOARDING - COVERED WALKWAY (SURFACE - MOUNTED FOOTING) - STRUCTURAL DETAILS 2
9711/F/S03	TYPE F HOARDING - COVERED WALKWAY (SURFACE - MOUNTED FOOTING) - STRUCTURAL DETAILS 3
9711/F/S04	TYPE F HOARDING - COVERED WALKWAY (SURFACE - MOUNTED FOOTING) - STRUCTURAL DETAILS 4
9711/F/S05	TYPE F HOARDING - COVERED WALKWAY (SURFACE - MOUNTED FOOTING) - STRUCTURAL DETAILS 5
9711/G1/A01	TYPE G1 HOARDING - COVERED WALKWAY WITH SINGLE DECK CATCH PLATFORM (SURFACE - MOUNTED FOOTING) - GENERAL NOTES
9711/G1/A02	TYPE G1 HOARDING - COVERED WALKWAY WITH SINGLE DECK CATCH PLATFORM (SURFACE - MOUNTED FOOTING) - PLANS
9711/G1/A03	TYPE G1 HOARDING - COVERED WALKWAY WITH SINGLE DECK CATCH PLATFORM (SURFACE - MOUNTED FOOTING) - ELEVATION
9711/G1/A04	TYPE G1 HOARDING - COVERED WALKWAY WITH SINGLE DECK CATCH PLATFORM (SURFACE - MOUNTED FOOTING) - SECTIONS
9711/G1/A05	TYPE G1 HOARDING - COVERED WALKWAY WITH SINGLE DECK CATCH PLATFORM (SURFACE - MOUNTED FOOTING) - CONSTRUCTION DETAILS 1
9711/G1/A06	TYPE G1 HOARDING - COVERED WALKWAY WITH SINGLE DECK CATCH PLATFORM (SURFACE - MOUNTED FOOTING) - CONSTRUCTION DETAILS 2
9711/G1/A07	TYPE G1 HOARDING - COVERED WALKWAY WITH SINGLE DECK CATCH PLATFORM (SURFACE - MOUNTED FOOTING) - CONSTRUCTION DETAILS 3
9711/G1/A08	TYPE G1 HOARDING - COVERED WALKWAY WITH SINGLE DECK CATCH PLATFORM (SURFACE - MOUNTED FOOTING) - CONSTRUCTION DETAILS 4
9711/G1/A09	TYPE G1 HOARDING - COVERED WALKWAY WITH SINGLE DECK CATCH PLATFORM (SURFACE - MOUNTED FOOTING) - SITED ON CARRIAGEWAY / NARROW PAVEMENT
9711/G1/S01(Rev.B)	TYPE G1 HOARDING - COVERED WALKWAY WITH SINGLE DECK CATCH PLATFORM (SURFACE - MOUNTED FOOTING) - STRUCTURAL DETAILS 1
9711/G1/S02	TYPE G1 HOARDING - COVERED WALKWAY WITH SINGLE DECK CATCH PLATFORM (SURFACE - MOUNTED FOOTING) - STRUCTURAL DETAILS 2
9711/G1/S03	TYPE G1 HOARDING - COVERED WALKWAY WITH SINGLE DECK CATCH PLATFORM (SURFACE - MOUNTED FOOTING) - STRUCTURAL DETAILS 3
9711/G1/S04	TYPE G1 HOARDING - COVERED WALKWAY WITH SINGLE DECK CATCH PLATFORM (SURFACE - MOUNTED FOOTING) - STRUCTURAL DETAILS 4
9711/G1/S05	TYPE G1 HOARDING - COVERED WALKWAY WITH SINGLE DECK CATCH PLATFORM (SURFACE - MOUNTED FOOTING) - STRUCTURAL DETAILS 5
9711/G2/A01	TYPE G2 HOARDING - COVERED WALKWAY WITH SINGLE DECK CATCH PLATFORM (SURFACE - MOUNTED FOOTING) - GENERAL NOTES
9711/G2/A02	TYPE G2 HOARDING - COVERED WALKWAY WITH SINGLE DECK CATCH PLATFORM (SURFACE - MOUNTED FOOTING) - PLANS
9711/G2/A03	TYPE G2 HOARDING - COVERED WALKWAY WITH SINGLE DECK CATCH PLATFORM (SURFACE - MOUNTED FOOTING) - ELEVATION
9711/G2/A04	TYPE G2 HOARDING - COVERED WALKWAY WITH SINGLE DECK CATCH PLATFORM (SURFACE - MOUNTED FOOTING) - SECTIONS
9711/G2/A05	TYPE G2 HOARDING - COVERED WALKWAY WITH SINGLE DECK CATCH PLATFORM (SURFACE - MOUNTED FOOTING) - CONSTRUCTION DETAILS 1
9711/G2/A06	TYPE G2 HOARDING - COVERED WALKWAY WITH SINGLE DECK CATCH PLATFORM (SURFACE - MOUNTED FOOTING) - CONSTRUCTION DETAILS 2
9711/G2/A07	TYPE G2 HOARDING - COVERED WALKWAY WITH SINGLE DECK CATCH PLATFORM (SURFACE - MOUNTED FOOTING) - CONSTRUCTION DETAILS 3
9711/G2/A08	TYPE G2 HOARDING - COVERED WALKWAY WITH SINGLE DECK CATCH PLATFORM (SURFACE - MOUNTED FOOTING) - CONSTRUCTION DETAILS 4

INDEX

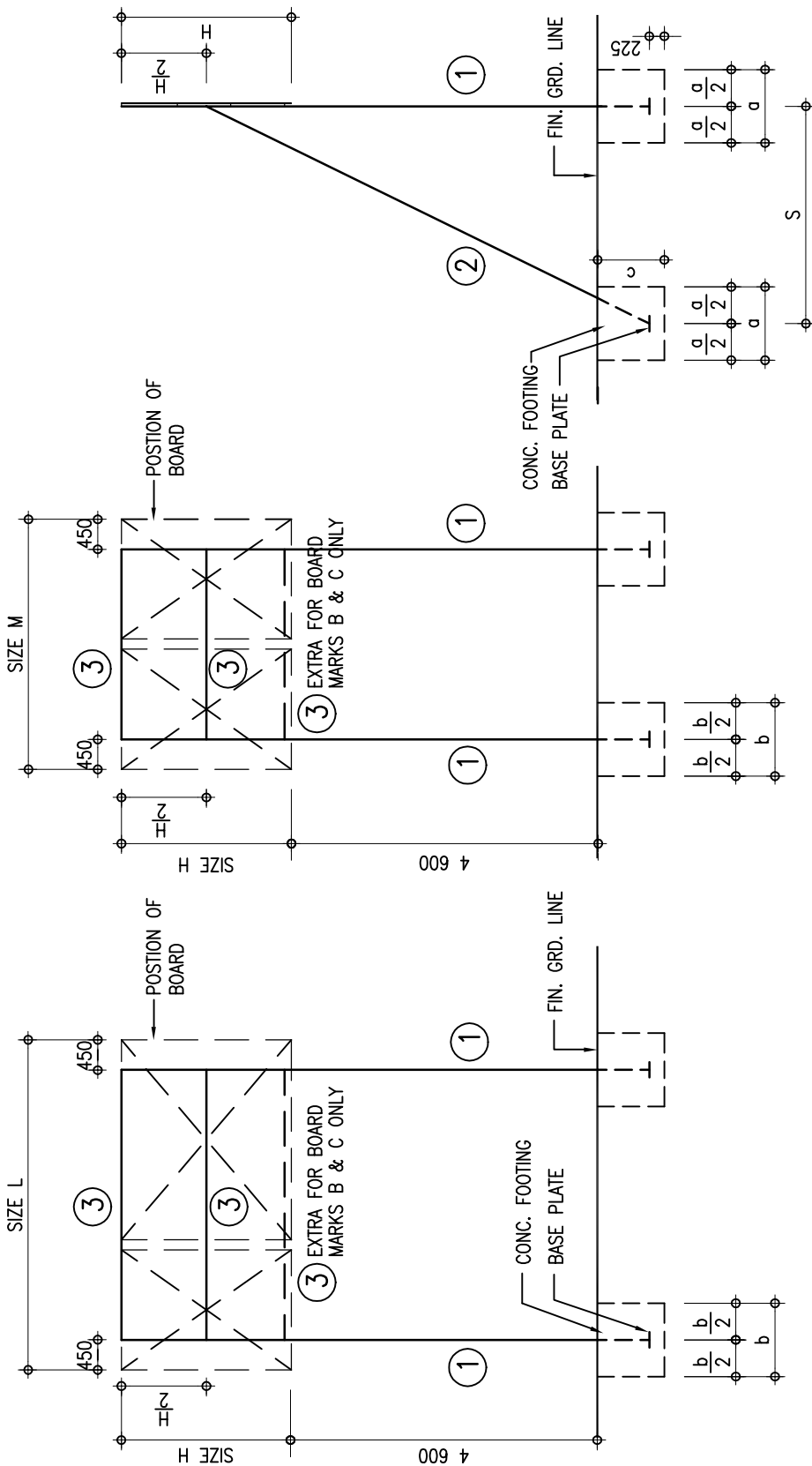
STANDARD DRAWINGS (ARCHITECTURAL DETAILS)

Drawing No.	Description
9711/G2/S01(Rev.B)	TYPE G2 HOARDING - COVERED WALKWAY WITH SINGLE DECK CATCH PLATFORM (SURFACE - MOUNTED FOOTING) - STRUCTURAL DETAILS 1
9711/G2/S02	TYPE G2 HOARDING - COVERED WALKWAY WITH SINGLE DECK CATCH PLATFORM (SURFACE - MOUNTED FOOTING) - STRUCTURAL DETAILS 2
9711/G2/S03	TYPE G2 HOARDING - COVERED WALKWAY WITH SINGLE DECK CATCH PLATFORM (SURFACE - MOUNTED FOOTING) - STRUCTURAL DETAILS 3
9711/G2/S04	TYPE G2 HOARDING - COVERED WALKWAY WITH SINGLE DECK CATCH PLATFORM (SURFACE - MOUNTED FOOTING) - STRUCTURAL DETAILS 4
9711/G2/S05	TYPE G2 HOARDING - COVERED WALKWAY WITH SINGLE DECK CATCH PLATFORM (SURFACE - MOUNTED FOOTING) - STRUCTURAL DETAILS 5
9711/H1/A01	TYPE H1 HOARDING - COVERED WALKWAY WITH DOUBLE DECK CATCH PLATFORM (SURFACE - MOUNTED FOOTING) - GENERAL NOTES
9711/H1/A02	TYPE H1 HOARDING - COVERED WALKWAY WITH DOUBLE DECK CATCH PLATFORM (SURFACE - MOUNTED FOOTING) - PLANS
9711/H1/A03	TYPE H1 HOARDING - COVERED WALKWAY WITH DOUBLE DECK CATCH PLATFORM (SURFACE - MOUNTED FOOTING) - ELEVATION
9711/H1/A04	TYPE H1 HOARDING - COVERED WALKWAY WITH DOUBLE DECK CATCH PLATFORM (SURFACE - MOUNTED FOOTING) - SECTIONS
9711/H1/A05	TYPE H1 HOARDING - COVERED WALKWAY WITH DOUBLE DECK CATCH PLATFORM (SURFACE - MOUNTED FOOTING) - CONSTRUCTION DETAILS 1
9711/H1/A06	TYPE H1 HOARDING - COVERED WALKWAY WITH DOUBLE DECK CATCH PLATFORM (SURFACE - MOUNTED FOOTING) - CONSTRUCTION DETAILS 2
9711/H1/A07	TYPE H1 HOARDING - COVERED WALKWAY WITH DOUBLE DECK CATCH PLATFORM (SURFACE - MOUNTED FOOTING) - CONSTRUCTION DETAILS 3
9711/H1/A08	TYPE H1 HOARDING - COVERED WALKWAY WITH DOUBLE DECK CATCH PLATFORM (SURFACE - MOUNTED FOOTING) - CONSTRUCTION DETAILS 4
9711/H1/A09	TYPE H1 HOARDING - COVERED WALKWAY WITH DOUBLE DECK CATCH PLATFORM (SURFACE - MOUNTED FOOTING) - SITED ON CARRIAGEWAY / NARROW PAVEMENT
9711/H1/S01(Rev.B)	TYPE H1 HOARDING - COVERED WALKWAY WITH DOUBLE DECK CATCH PLATFORM (SURFACE - MOUNTED FOOTING) - STRUCTURAL DETAILS 1
9711/H1/S02	TYPE H1 HOARDING - COVERED WALKWAY WITH DOUBLE DECK CATCH PLATFORM (SURFACE - MOUNTED FOOTING) - STRUCTURAL DETAILS 2
9711/H1/S03	TYPE H1 HOARDING - COVERED WALKWAY WITH DOUBLE DECK CATCH PLATFORM (SURFACE - MOUNTED FOOTING) - STRUCTURAL DETAILS 3
9711/H1/S04	TYPE H1 HOARDING - COVERED WALKWAY WITH DOUBLE DECK CATCH PLATFORM (SURFACE - MOUNTED FOOTING) - STRUCTURAL DETAILS 4
9711/H1/S05	TYPE H1 HOARDING - COVERED WALKWAY WITH DOUBLE DECK CATCH PLATFORM (SURFACE - MOUNTED FOOTING) - STRUCTURAL DETAILS 5
9711/H2/A01	TYPE H2 HOARDING - COVERED WALKWAY WITH DOUBLE DECK CATCH PLATFORM (SURFACE - MOUNTED FOOTING) - GENERAL NOTES
9711/H2/A02	TYPE H2 HOARDING - COVERED WALKWAY WITH DOUBLE DECK CATCH PLATFORM (SURFACE - MOUNTED FOOTING) - PLANS
9711/H2/A03	TYPE H2 HOARDING - COVERED WALKWAY WITH DOUBLE DECK CATCH PLATFORM (SURFACE - MOUNTED FOOTING) - ELEVATION
9711/H2/A04	TYPE H2 HOARDING - COVERED WALKWAY WITH DOUBLE DECK CATCH PLATFORM (SURFACE - MOUNTED FOOTING) - SECTIONS
9711/H2/A05	TYPE H2 HOARDING - COVERED WALKWAY WITH DOUBLE DECK CATCH PLATFORM (SURFACE - MOUNTED FOOTING) - CONSTRUCTION DETAILS 1
9711/H2/A06	TYPE H2 HOARDING - COVERED WALKWAY WITH DOUBLE DECK CATCH PLATFORM (SURFACE - MOUNTED FOOTING) - CONSTRUCTION DETAILS 2
9711/H2/A07	TYPE H2 HOARDING - COVERED WALKWAY WITH DOUBLE DECK CATCH PLATFORM (SURFACE - MOUNTED FOOTING) - CONSTRUCTION DETAILS 3

INDEX

STANDARD DRAWINGS (ARCHITECTURAL DETAILS)

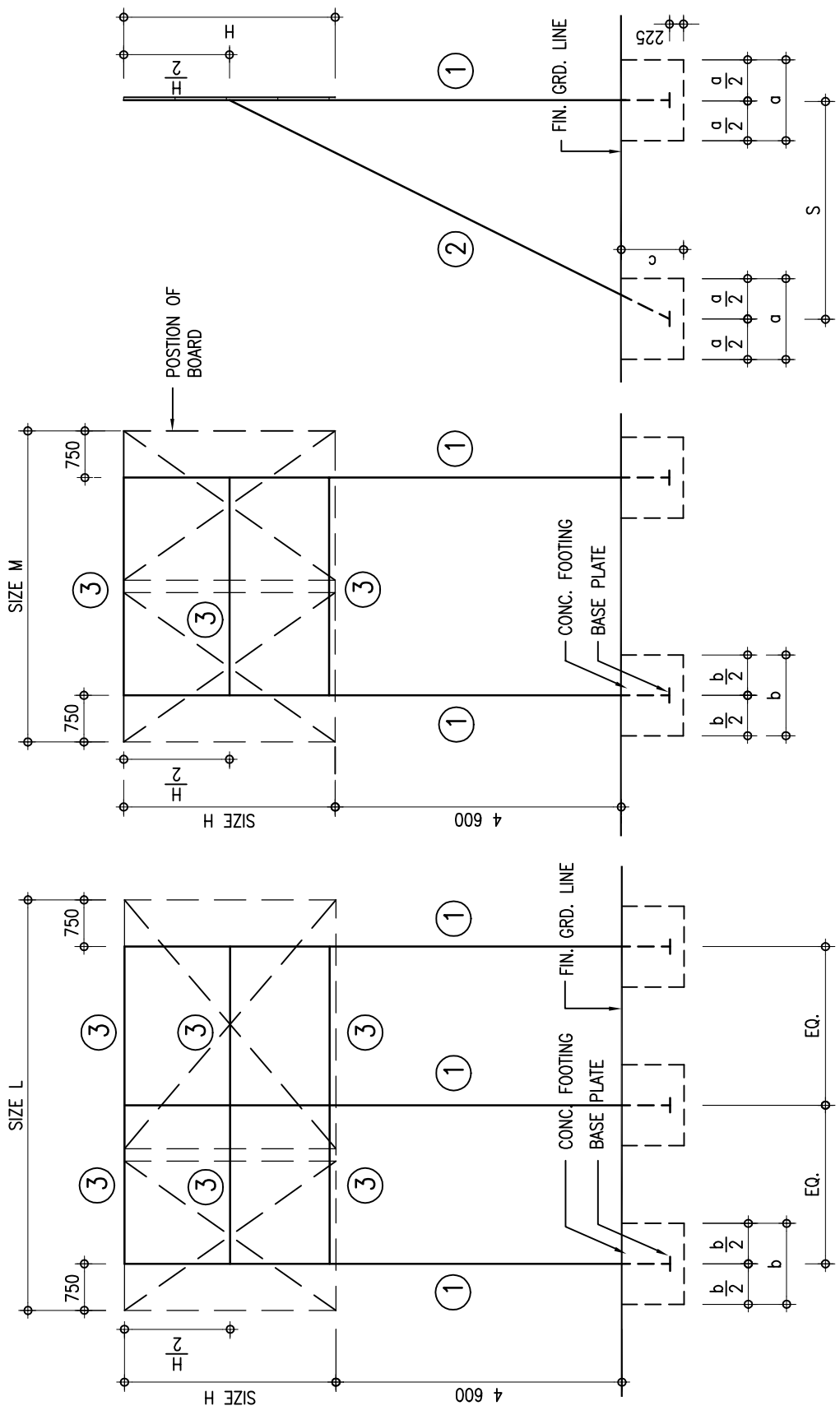
Drawing No.	Description
9711/H2/A08	TYPE H2 HOARDING - COVERED WALKWAY WITH DOUBLE DECK CATCH PLATFORM (SURFACE - MOUNTED FOOTING) - CONSTRUCTION DETAILS 4
9711/H2/S01(Rev.B)	TYPE H2 HOARDING - COVERED WALKWAY WITH DOUBLE DECK CATCH PLATFORM (SURFACE - MOUNTED FOOTING) - STRUCTURAL DETAILS 1
9711/H2/S02	TYPE H2 HOARDING - COVERED WALKWAY WITH DOUBLE DECK CATCH PLATFORM (SURFACE - MOUNTED FOOTING) - STRUCTURAL DETAILS 2
9711/H2/S03	TYPE H2 HOARDING - COVERED WALKWAY WITH DOUBLE DECK CATCH PLATFORM (SURFACE - MOUNTED FOOTING) - STRUCTURAL DETAILS 3
9711/H2/S04	TYPE H2 HOARDING - COVERED WALKWAY WITH DOUBLE DECK CATCH PLATFORM (SURFACE - MOUNTED FOOTING) - STRUCTURAL DETAILS 4
9711/H2/S05	TYPE H2 HOARDING - COVERED WALKWAY WITH DOUBLE DECK CATCH PLATFORM (SURFACE - MOUNTED FOOTING) - STRUCTURAL DETAILS 5



SIDE ELEVATION

FRONT ELEVATION
STRUCTURAL FRAME FOR BOARD MARKS A, B, & C

CHECKED CA/3	<i>W. B. Toledo</i>	DATE 25.11.95	APPROVED AD(PS)	<i>W. B. Toledo</i>	DATE 5.12.95
ARCHITECTURAL BRANCH ARCH. SERVICES DEPT.	title PROJECT SIGNBOARD DETAIL - STRUCTURAL FRAME FOR TYPE 1			scale 1:100	drawing no. 2880_01 (11/95)

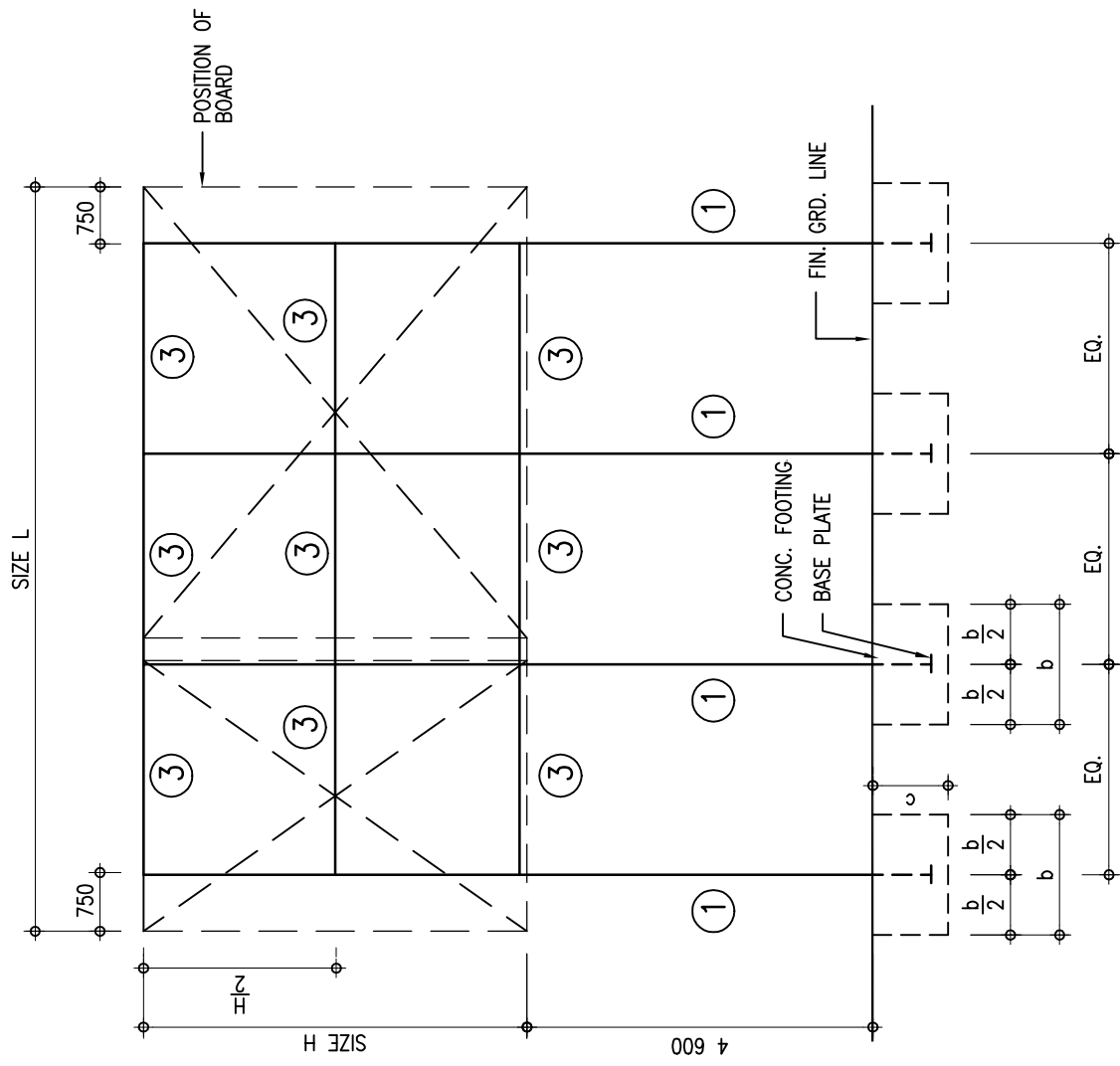


SIDE ELEVATION

FRONT ELEVATION
STRUCTURAL FRAME FOR BOARD MARK D

CHECKED CA/3	<i>W. B. Toledo</i>	DATE 25.11.95	APPROVED AD(PS)	<i>W. B. Toledo</i>	DATE 5.12.95
-----------------	---------------------	------------------	--------------------	---------------------	-----------------

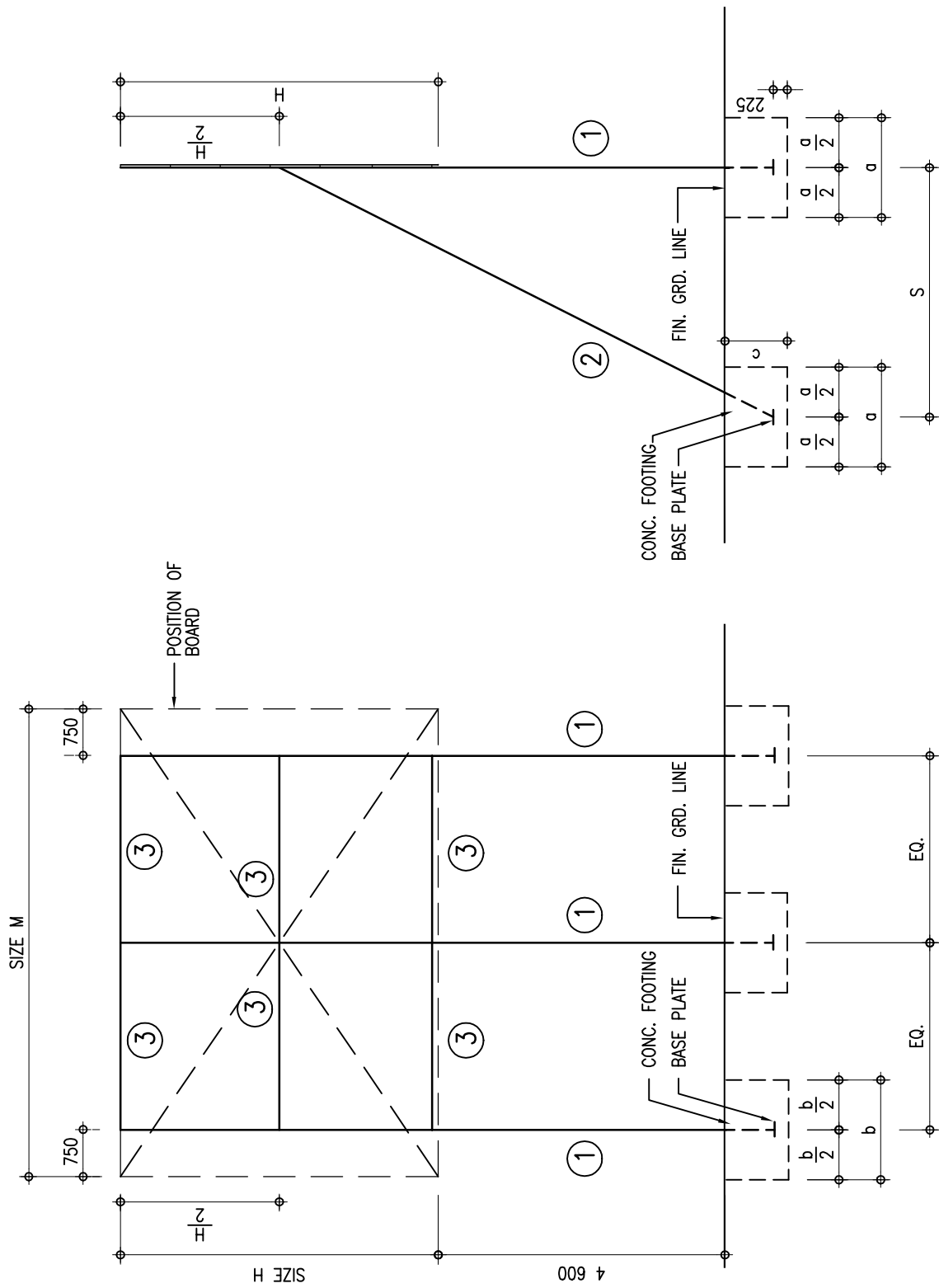
ARCHITECTURAL BRANCH ARCH. SERVICES DEPT.	title PROJECT SIGNBOARD DETAIL - STRUCTURAL FRAME FOR TYPE 1	scale	drawing no.
		1:100	2880_02 (11/95)



FRONT ELEVATION

STRUCTURAL FRAME FOR BOARD MARKS E & F

CHECKED CA/3	<i>W. B. Lebo</i>	DATE 25.11.95	APPROVED AD(PS) <i>AD(PS)</i>	DATE 5.12.95
ARCHITECTURAL BRANCH ARCH. SERVICES DEPT.	title PROJECT SIGNBOARD DETAIL – STRUCTURAL FRAME FOR TYPE 1		scale 1:100	drawing no. 2880_03 (11/95)



SIDE ELEVATION

FRONT ELEVATION
STRUCTURAL FRAME FOR BOARD MARKS E & F

CHECKED
CA/3

W. B. Toledo

DATE
7.1.97

APPROVED
AD(PS)

W. B. Toledo

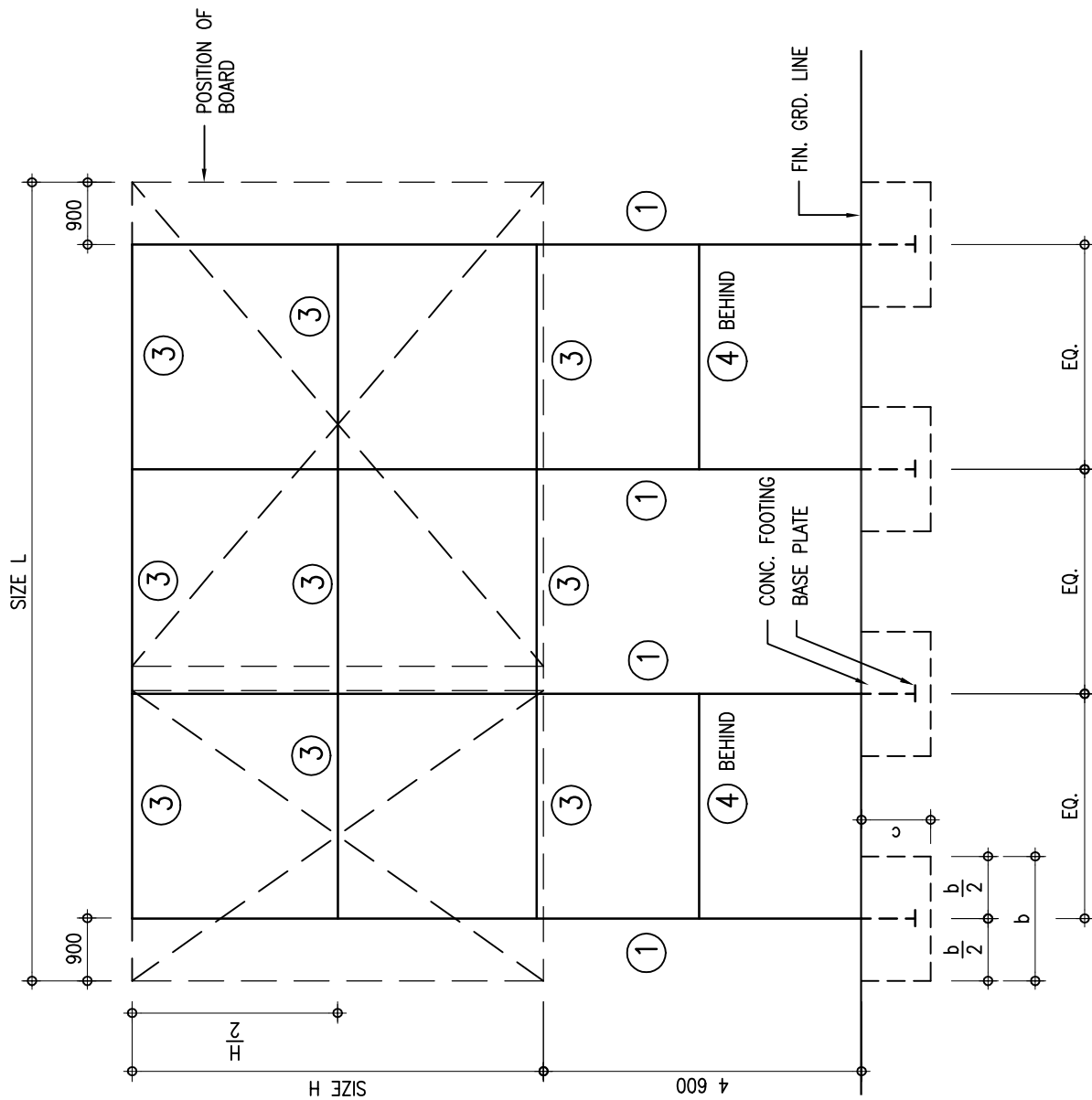
DATE
8.1.97

ARCHITECTURAL BRANCH
ARCH. SERVICES DEPT.

title PROJECT SIGNBOARD DETAIL -
STRUCTURAL FRAME FOR TYPE 1 & 3

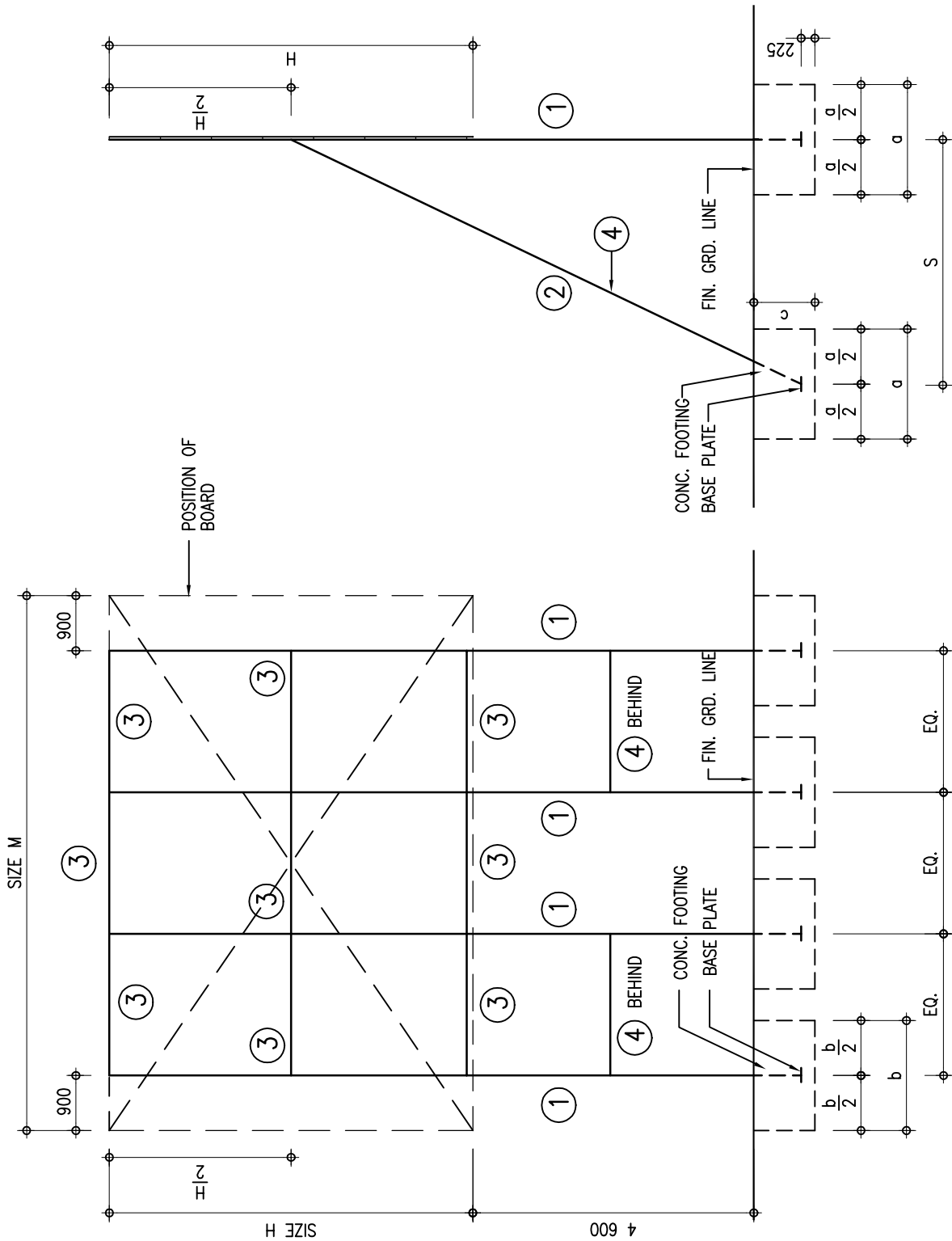
scale
1:100

drawing no.
2880_04 (01/97)



FRONT ELEVATION
STRUCTURAL FRAME FOR BOARD MARK G

CHECKED CA/3	<i>W. B. Lelo</i>	DATE 25.11.95	APPROVED AD(PS)	<i>AD(PS)</i>	DATE 5.12.95
ARCHITECTURAL BRANCH ARCH. SERVICES DEPT.		title PROJECT SIGNBOARD DETAIL – STRUCTURAL FRAME FOR TYPE 1		scale 1:100	drawing no. 2880_05 (11/95)

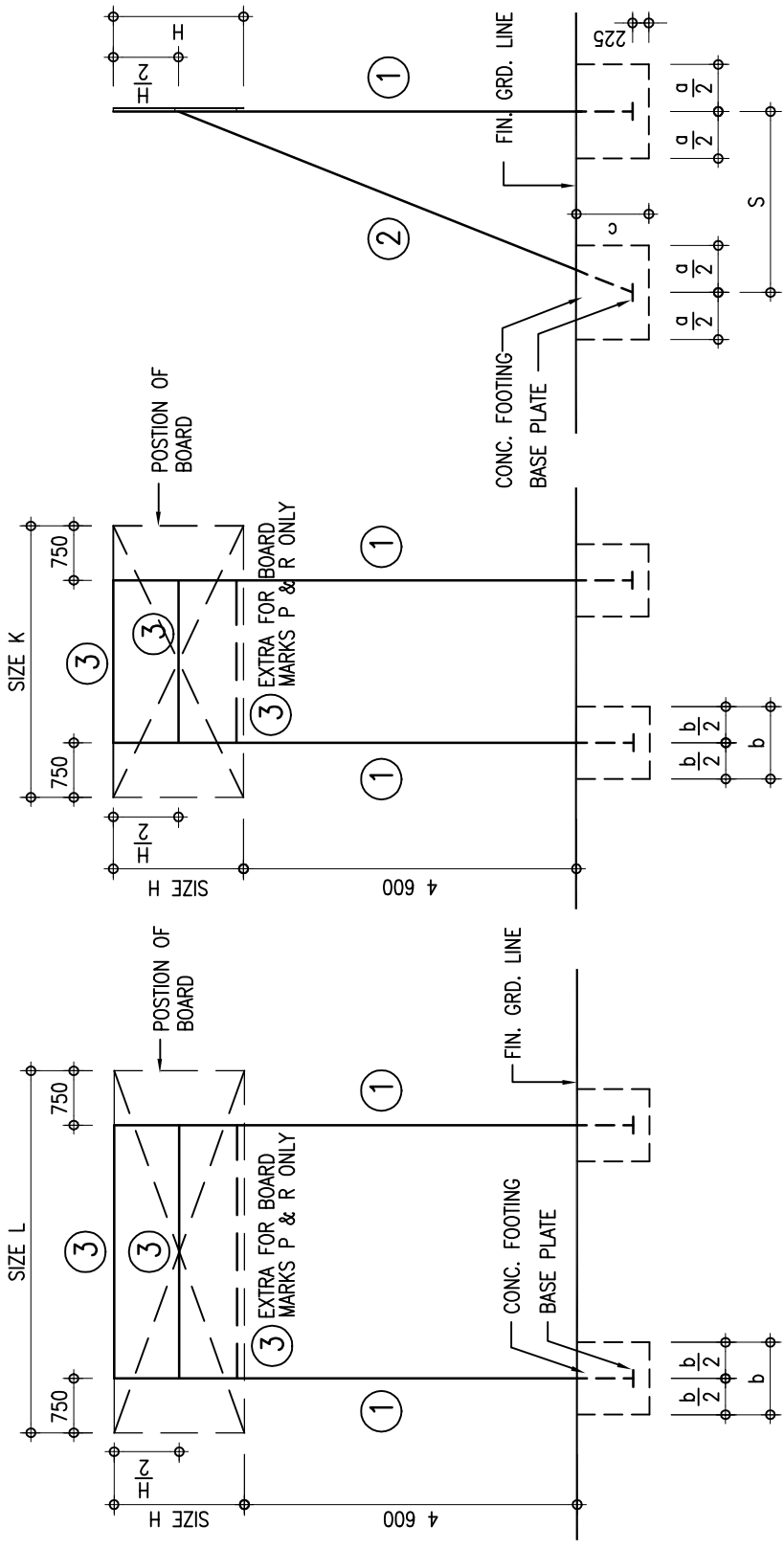


SIDE ELEVATION

FRONT ELEVATION
STRUCTURAL FRAME FOR BOARD MARK G

CHECKED CA/3	<i>W. B. Lebo</i>	DATE 7.1.97	APPROVED AD(PS)	<i>W. B. Lebo</i>	DATE 8.1.97
-----------------	-------------------	----------------	--------------------	-------------------	----------------

ARCHITECTURAL BRANCH ARCH. SERVICES DEPT.	title PROJECT SIGNBOARD DETAIL – STRUCTURAL FRAME FOR TYPE 1 & 3	scale 1:100	drawing no. 2880_06 (01/97)
--	---	----------------	--------------------------------



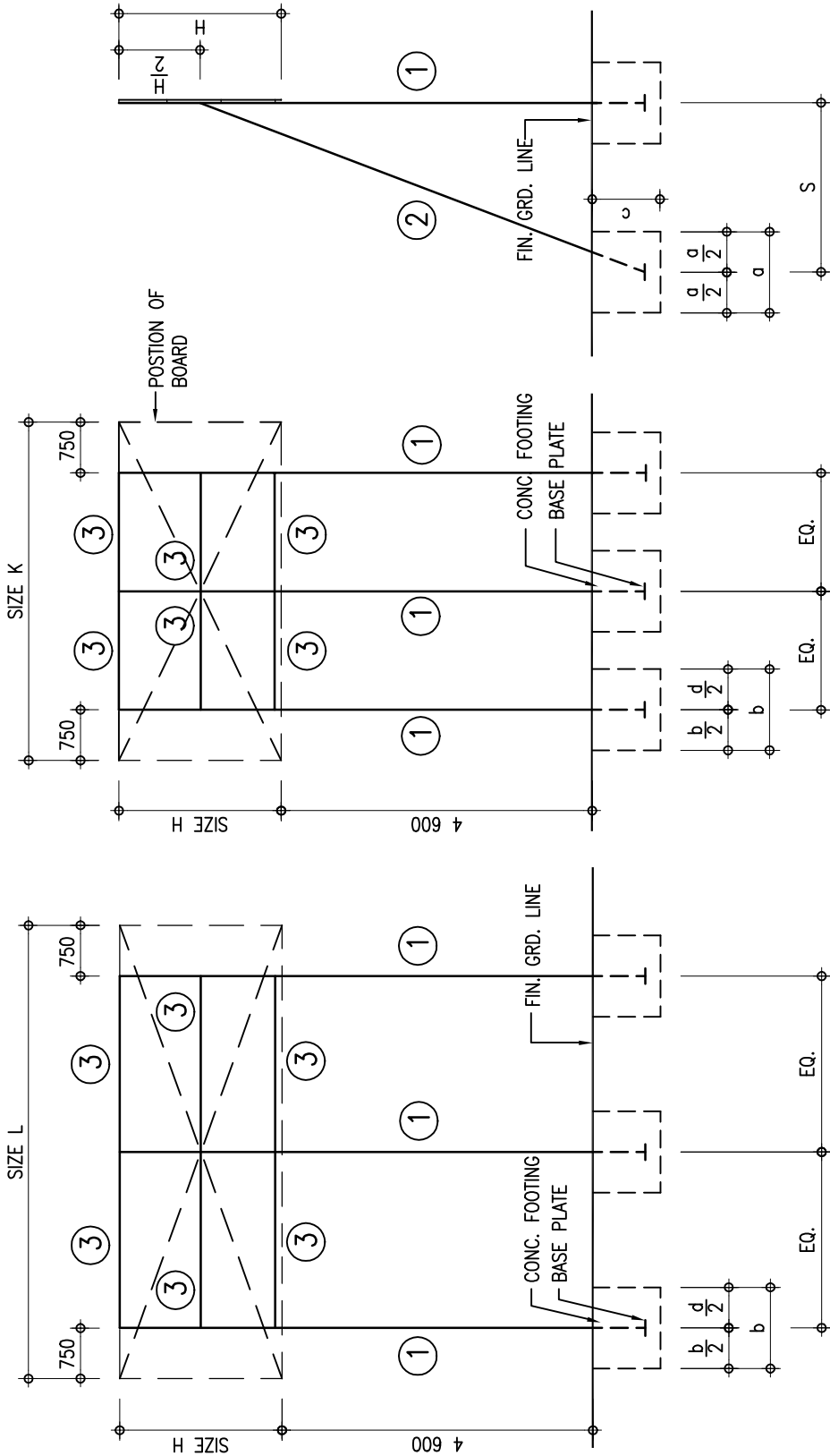
SIDE ELEVATION

FRONT ELEVATION

STRUCTURAL FRAME FOR BOARD MARKS M, N, P & R

CHECKED CA/3	<i>W. B. Lebo</i>	DATE 7.1.97	APPROVED AD(PS)	<i>W. B. Lebo</i>	DATE 8.1.97
-----------------	-------------------	----------------	--------------------	-------------------	----------------

ARCHITECTURAL BRANCH ARCH. SERVICES DEPT.	title PROJECT SIGNBOARD DETAIL - STRUCTURAL FRAME FOR TYPE 2 & 4	scale 1:100	drawing no. 2880_07 (01/97)
--	---	----------------	--------------------------------



SIDE ELEVATION

FRONT ELEVATION
STRUCTURAL FRAME FOR BOARD MARKS S & T

CHECKED
CA/3

W. B. Toledo

DATE
7.1.97

APPROVED
AD(PS)

W. B. Toledo

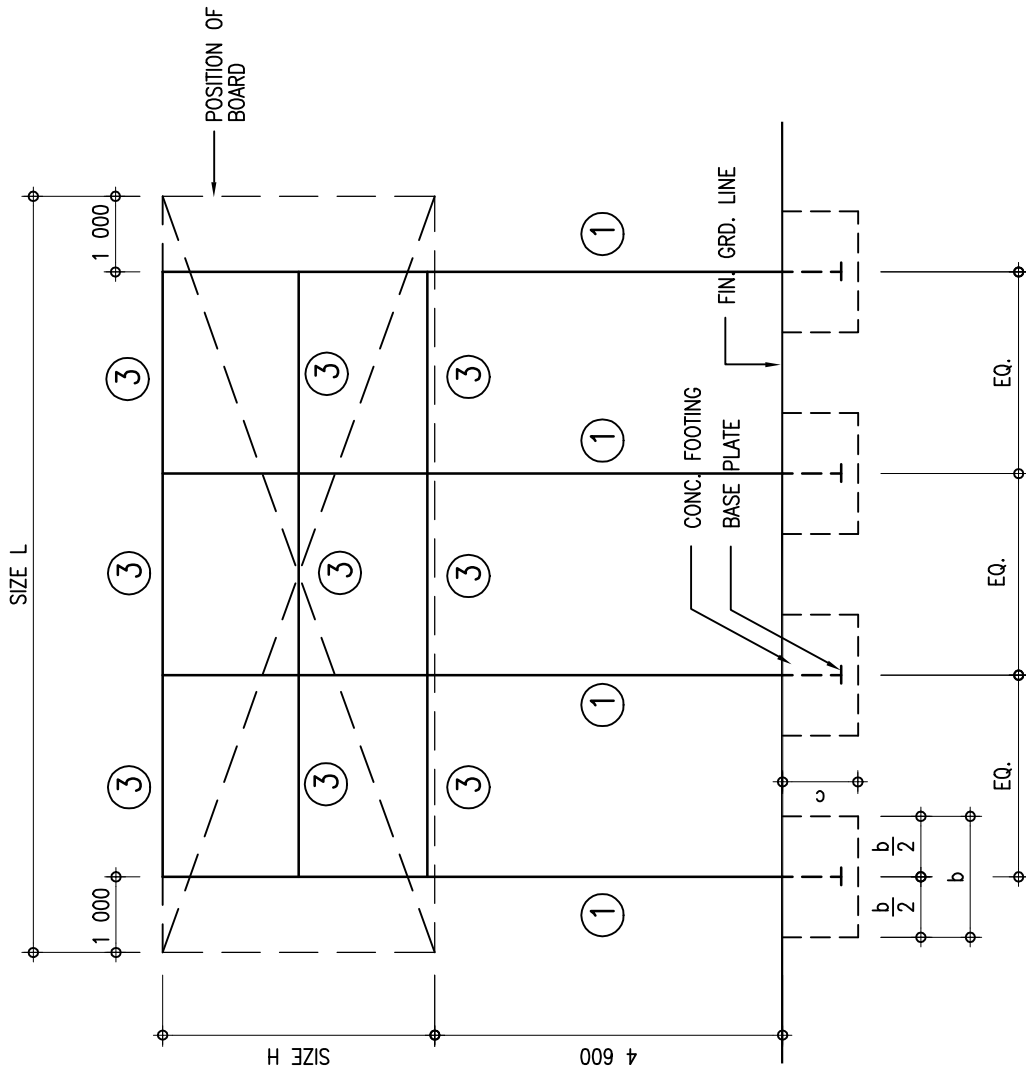
DATE
8.1.97

ARCHITECTURAL BRANCH
ARCH. SERVICES DEPT.

title PROJECT SIGNBOARD DETAIL -
STRUCTURAL FRAME FOR TYPE 2 & 4

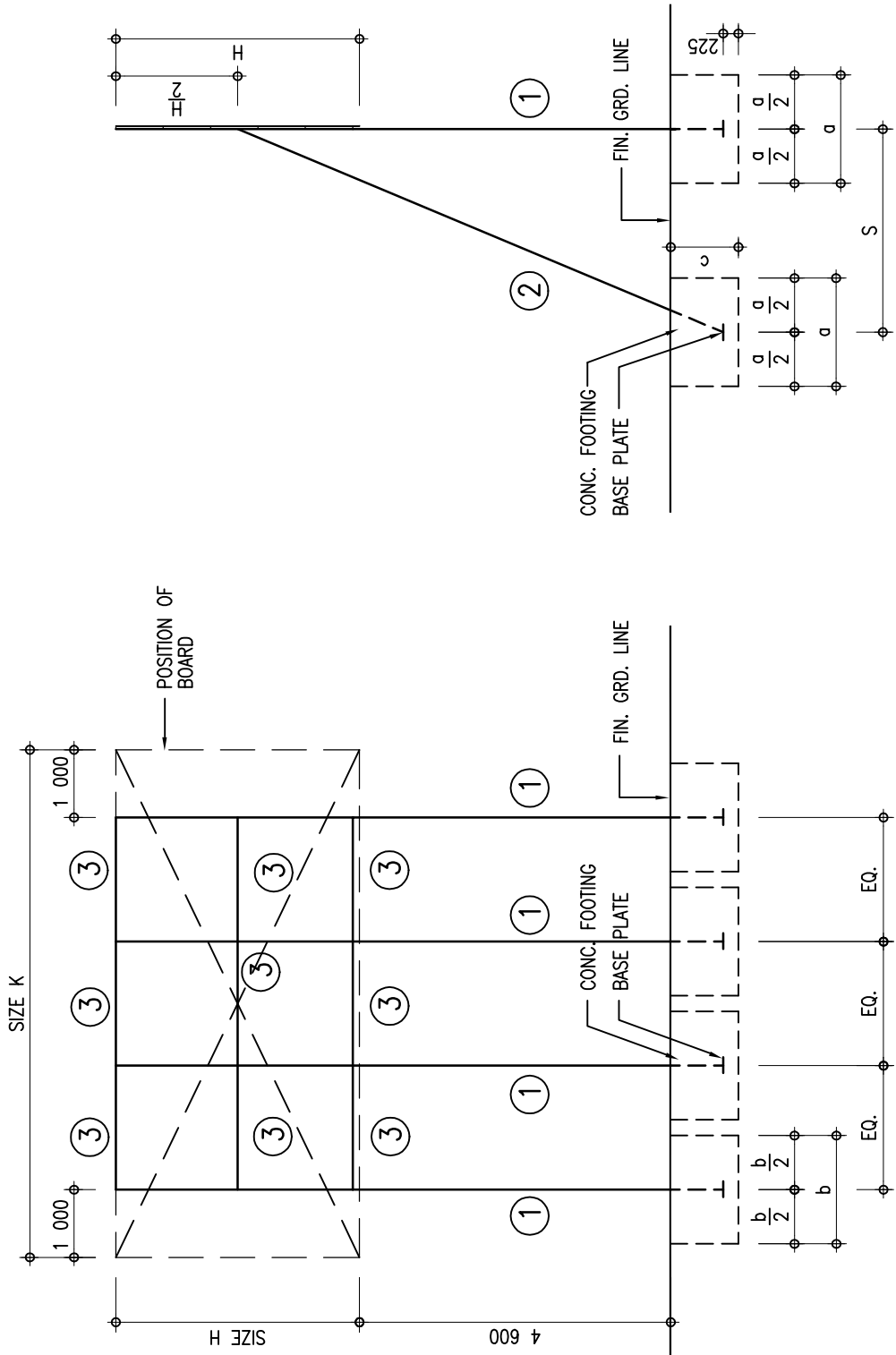
scale
1:100

drawing no.
2880_08 (01/97)



FRONT ELEVATION
STRUCTURAL FRAME FOR BOARD MARK U

CHECKED CA/3	<i>W. B. Lele</i>	DATE 7.1.97	APPROVED AD(PS) <i>AD(PS)</i>	DATE 8.1.97
ARCHITECTURAL BRANCH ARCH. SERVICES DEPT.	title PROJECT SIGNBOARD DETAIL – STRUCTURAL FRAME FOR TYPE 2 & 4		scale 1:100	drawing no. 2880_09 (01/97)



SIDE ELEVATION

FRONT ELEVATION
STRUCTURAL FRAME FOR BOARD MARK U

CHECKED CA/3 *W. B. Toledo* DATE 7.1.97 APPROVED AD(PS) *W. B. Toledo* DATE 8.1.97

ARCHITECTURAL BRANCH
ARCH. SERVICES DEPT.

title PROJECT SIGNBOARD DETAIL -
STRUCTURAL FRAME FOR TYPE 2 & 4

scale 1:100

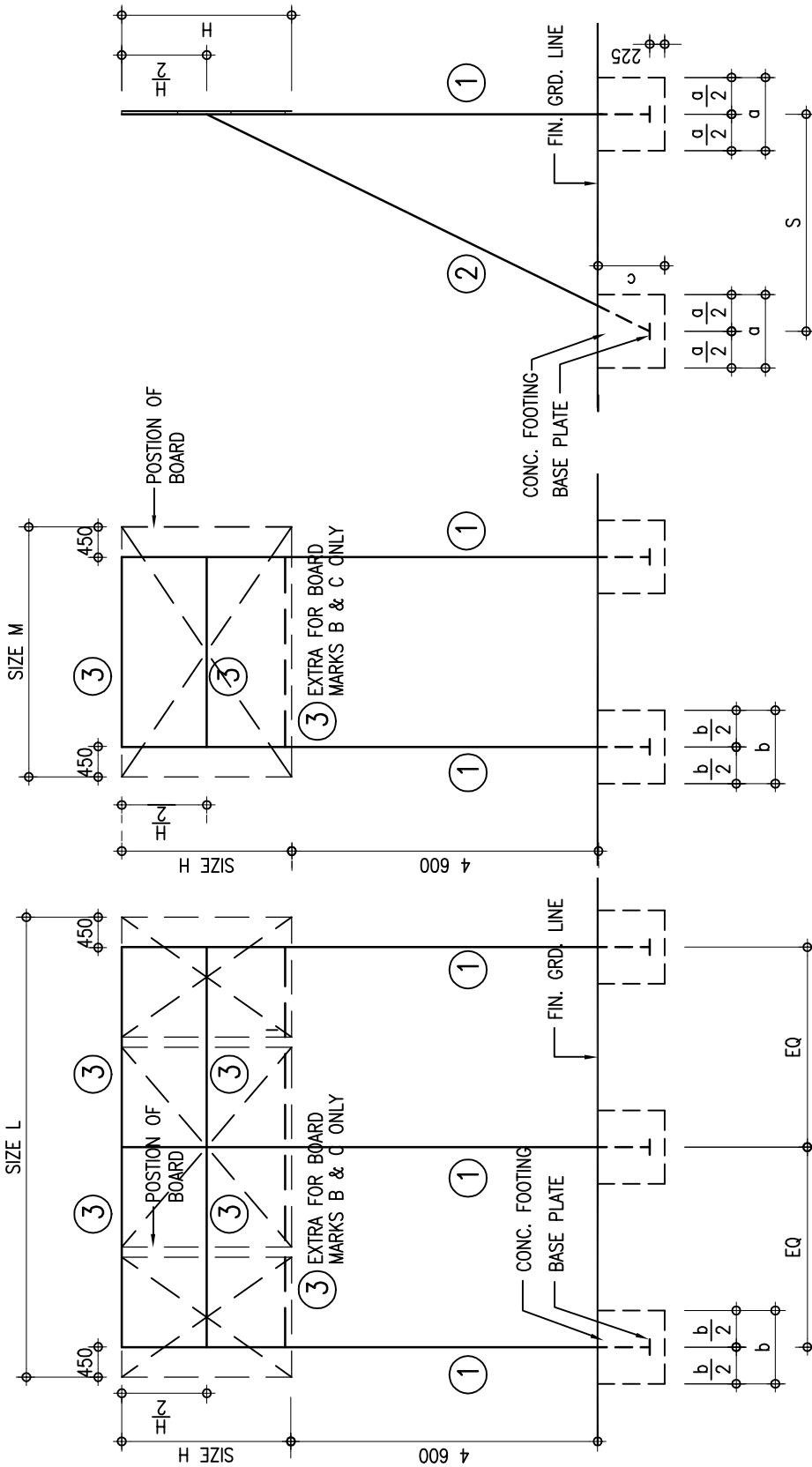
drawing no. 2880_10 (01/97)

ITEM	BOARD MARK	A	B & C	D & E	F & G
	ROLLED STEEL MEMBER (mm)	1	127 x 64 CHANNEL	152 x 76 CHANNEL	152 x 89 CHANNEL
2		127 x 64 CHANNEL	152 x 76 CHANNEL	152 x 89 CHANNEL	178 x 89 CHANNEL
3		127 x 64 CHANNEL	152 x 76 CHANNEL	152 x 89 CHANNEL	178 x 89 CHANNEL
4		————	————	————	* 127 x 64 CHANNEL
ANGLE FRAMES OF BOARD	50 x 50 x 6 mm G.S. ANGLE AT 800 mm C/C BOTHWAYS		70x70x8mm G.S. ANGLE AT 800mm C/C BOTHWAYS		
FOOTING (SIZE : a x b x c)	500x500x1 000mm	700 x 700 x 1 000 mm 1100 x 1100 x 1000 mm (FOR BOARD MARK C)	1300 x 1300 x 1000 mm 1400 x 1400 x 1000 mm (FOR BOARD MARK E)	1600 x 1600 x 1000 mm 1800 x 1800 x 1000 mm (FOR BOARD MARK G)	
BASE PLATE OF STEEL MEMBER	180 x 100 x 10 mm THICK		180 x 110 x 10 mm THICK	200 x 110 x 10 mm THICK	
DISTANCE S	3 250 mm		3 500 mm	4 000 mm	

NOTE:

CHECKED CA/3	<i>W. B. Lebo</i>	DATE 7.1.97	APPROVED AD(PS)	<i>W. B. Lebo</i>	DATE 8.1.97
ARCHITECTURAL BRANCH ARCH. SERVICES DEPT.	title PROJECT SIGNBOARD DETAIL – SCHEDULE OF STRUCTURAL MEMBERS FOR BOARD TYPE 1 & 3			scale NTS	drawing no. 2880_11 (01/97)

ITEM	BOARD MARK	M & N	P, R & S	T & U
	ROLLED STEEL MEMBER (mm)	1	127 x 64 CHANNEL	152 x 76 CHANNEL
2		127 x 64 CHANNEL	152 x 76 CHANNEL	152 x 89 CHANNEL
3		127 x 64 CHANNEL	152 x 76 CHANNEL	152 x 89 CHANNEL
ANGLE FRAMES OF BOARD		50 x 50 x 6 mm G.S. ANGLE AT 800 mm C/C BOTHWAYS	70 x 70 x 8 mm G.S. ANGLE AT 800 mm C/C BOTHWAYS	80 x 80 x 10 mm G.S. ANGLE AT 800 mm C/C BOTHWAYS
FOOTING (SIZE : a x b x c)		500 x 500 x 1000 mm 700 x 700 x 1000 mm (FOR BOARD MARK N)	900 x 900 x 1000 mm 1000 x 1000 x 1000 mm (FOR BOARD MARK R) 1200 x 1200 x 1000 mm (FOR BOARD MARK S)	1500 x 1500 x 1000 mm 1600 x 1600 x 1000 mm (FOR BOARD MARK U)
BASE PLATE OF STEEL MEMBER		180 x 100 x 10 mm THICK		180 x 110 x 10 mm THICK
DISTANCE S		2 200 mm	2 500 mm	3 000 mm
CHECKED CA/3	<i>W. B. Lebo</i>	DATE 7.1.97	APPROVED AD(PS)	<i>W. B. Lebo</i>
				DATE 8.1.97
ARCHITECTURAL BRANCH ARCH. SERVICES DEPT.	title PROJECT SIGNBOARD DETAIL – SCHEDULE OF STRUCTURAL MEMBERS FOR BOARD TYPE 2 & 4	scale NTS	drawing no. 2880_12 (01/97)	

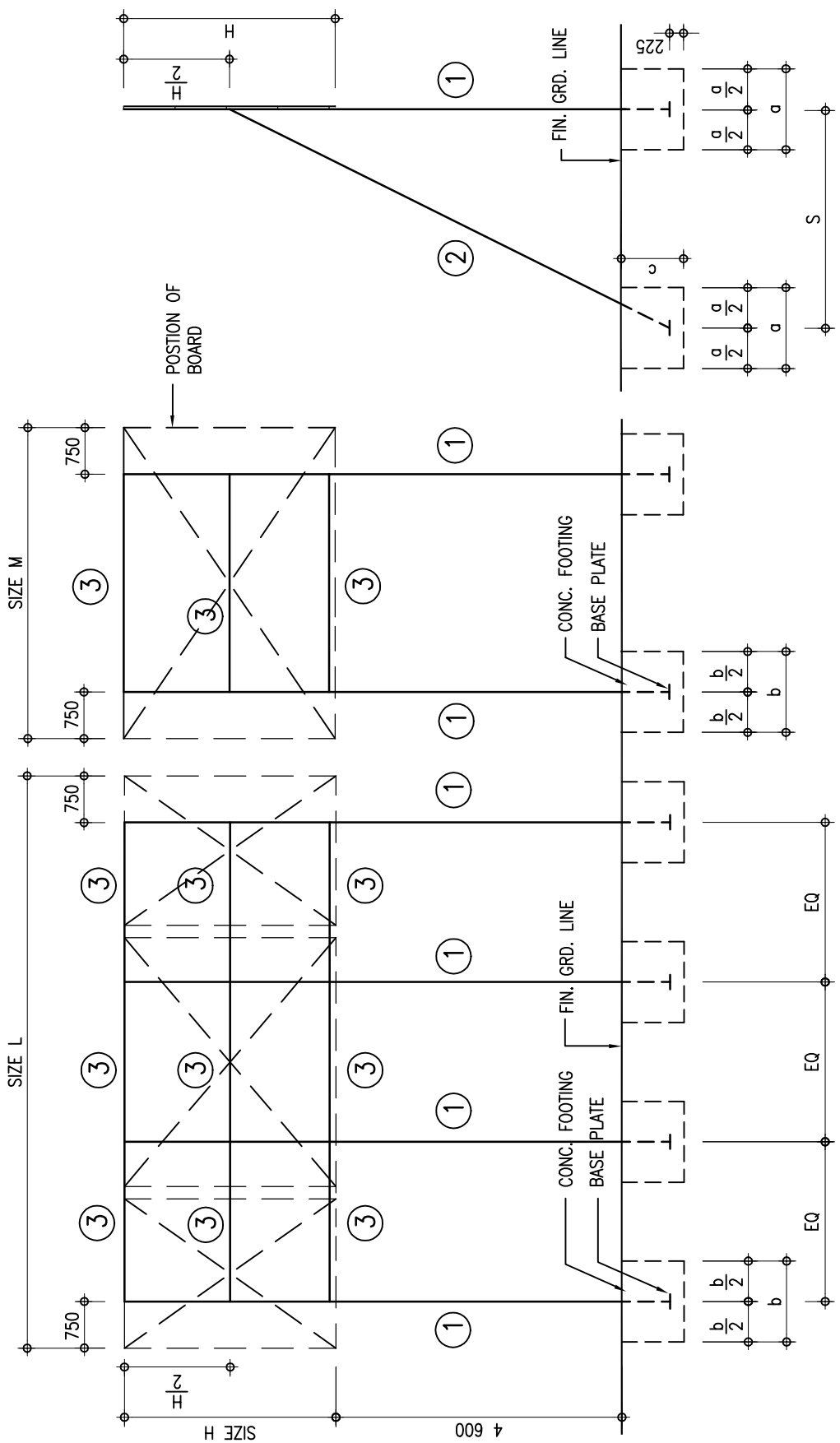


SIDE ELEVATION

FRONT ELEVATION
STRUCTURAL FRAME FOR BOARD MARKS A, B, & C

CHECKED CA/3	<i>W. B. Toledo</i>	DATE 7.1.97	APPROVED AD(PS)	<i>W. B. Toledo</i>	DATE 8.1.97
-----------------	---------------------	----------------	--------------------	---------------------	----------------

ARCHITECTURAL BRANCH ARCH. SERVICES DEPT.	title PROJECT SIGNBOARD DETAIL - STRUCTURAL FRAME FOR TYPE 3	scale 1:100	drawing no. 2880_13 (01/97)
--	---	----------------	--------------------------------

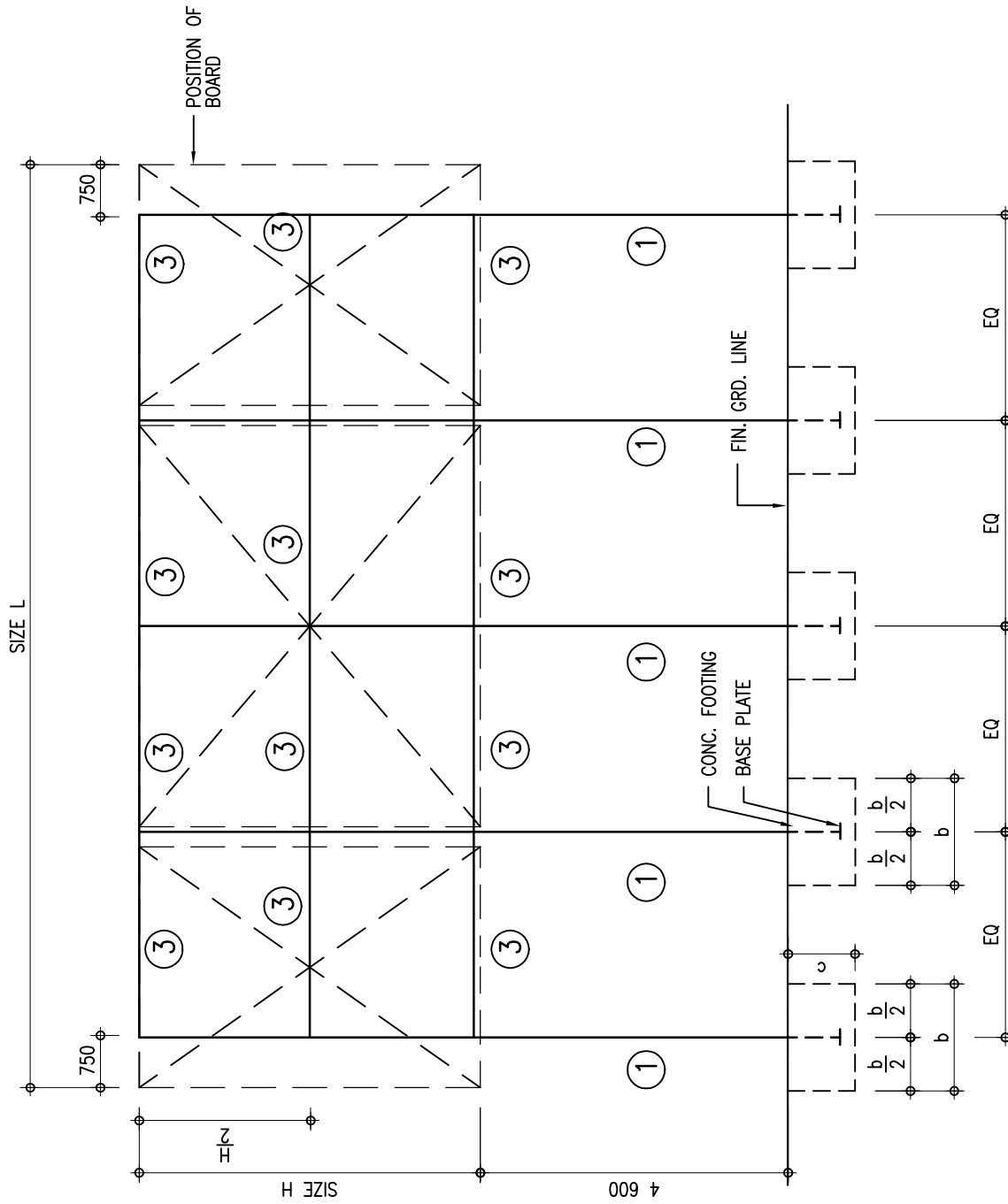


SIDE ELEVATION

FRONT ELEVATION
STRUCTURAL FRAME FOR BOARD MARK D

CHECKED CA/3	<i>W. B. Toledo</i>	DATE 7.1.97	APPROVED AD(PS)	<i>W. B. Toledo</i>	DATE 8.1.97
-----------------	---------------------	----------------	--------------------	---------------------	----------------

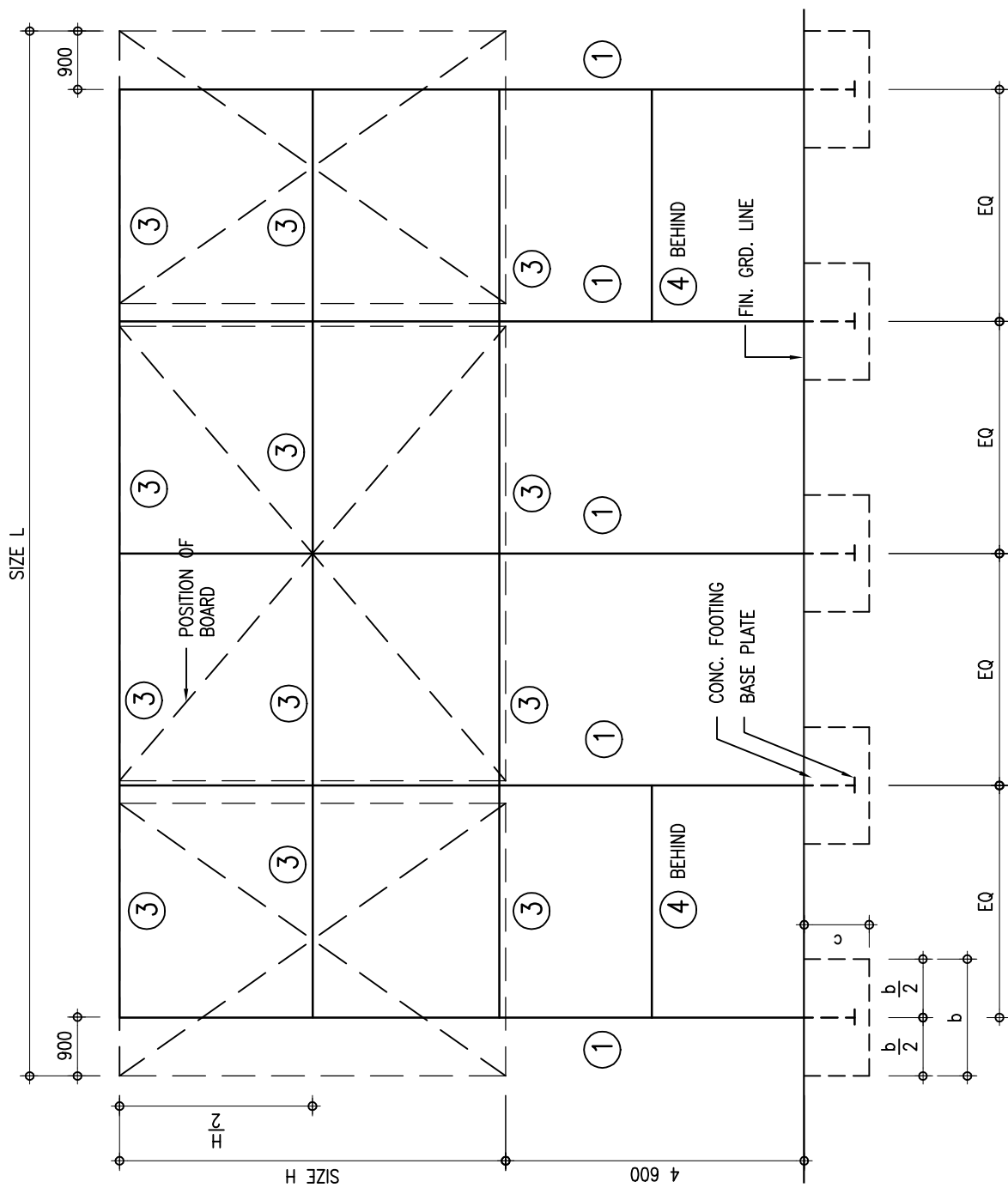
ARCHITECTURAL BRANCH ARCH. SERVICES DEPT.	title PROJECT SIGNBOARD DETAIL - STRUCTURAL FRAME FOR TYPE 3	scale 1:100	drawing no. 2880_14 (01/97)
--	---	----------------	--------------------------------



FRONT ELEVATION

STRUCTURAL FRAME FOR BOARD MARKS E & F

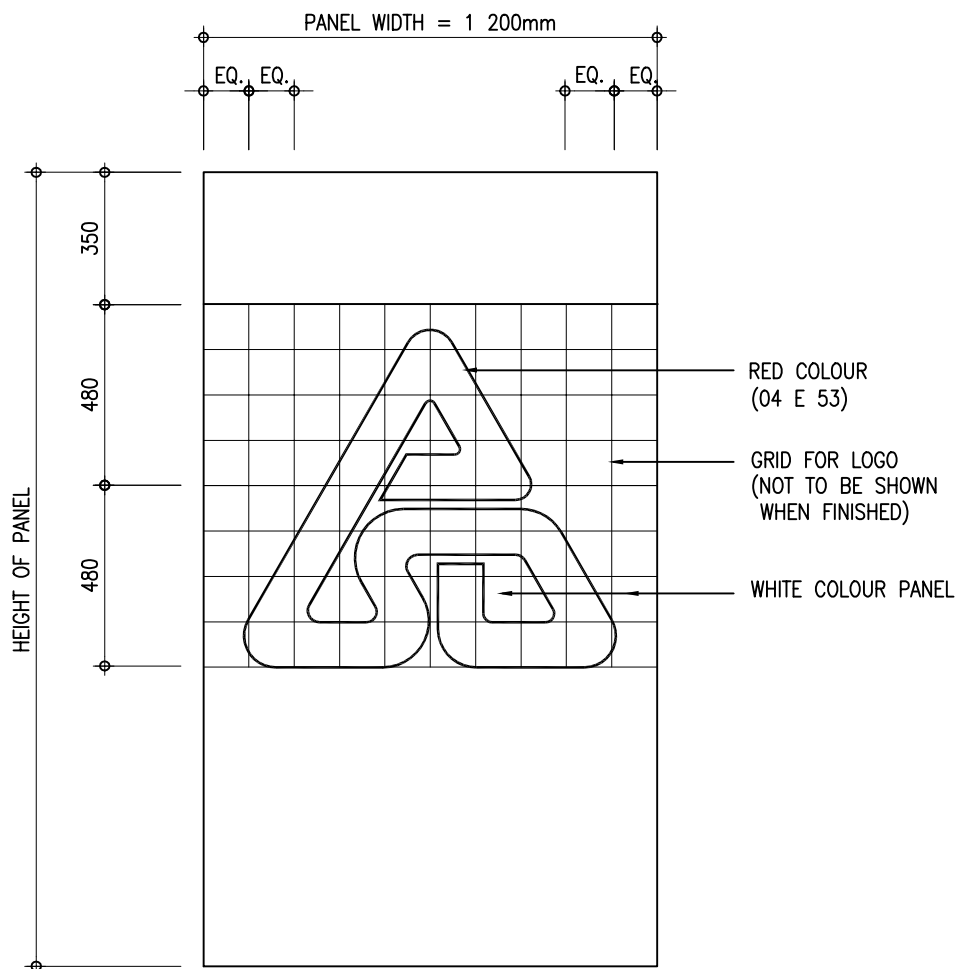
CHECKED CA/3 <i>W. B. Toledo</i>	DATE 7.1.97	APPROVED AD(PS) <i>AD(PS)</i>	DATE 8.1.97
ARCHITECTURAL BRANCH ARCH. SERVICES DEPT.	title PROJECT SIGNBOARD DETAIL – STRUCTURAL FRAME FOR TYPE 3		scale 1:100 drawing no. 2880_15 (01/97)



FRONT ELEVATION
STRUCTURAL FRAME FOR BOARD MARK G

CHECKED CA/3	<i>W. B. Toledo</i>	DATE 7.1.97	APPROVED AD(PS)	<i>W. B. Toledo</i>	DATE 8.1.97
-----------------	---------------------	----------------	--------------------	---------------------	----------------

ARCHITECTURAL BRANCH ARCH. SERVICES DEPT.	title PROJECT SIGNBOARD DETAIL – STRUCTURAL FRAME FOR TYPE 3	scale 1:100	drawing no. 2880_16 (01/97)
--	---	----------------	--------------------------------



NOTE:

1. POSITION OF LOGO REFERED TO DWG. NO. 9711_12.

CHECKED
CA/3

W. B. Lelo

DATE
25. 11. 95

APPROVED
AD(PS)

AD(PS)

DATE
5. 12. 95

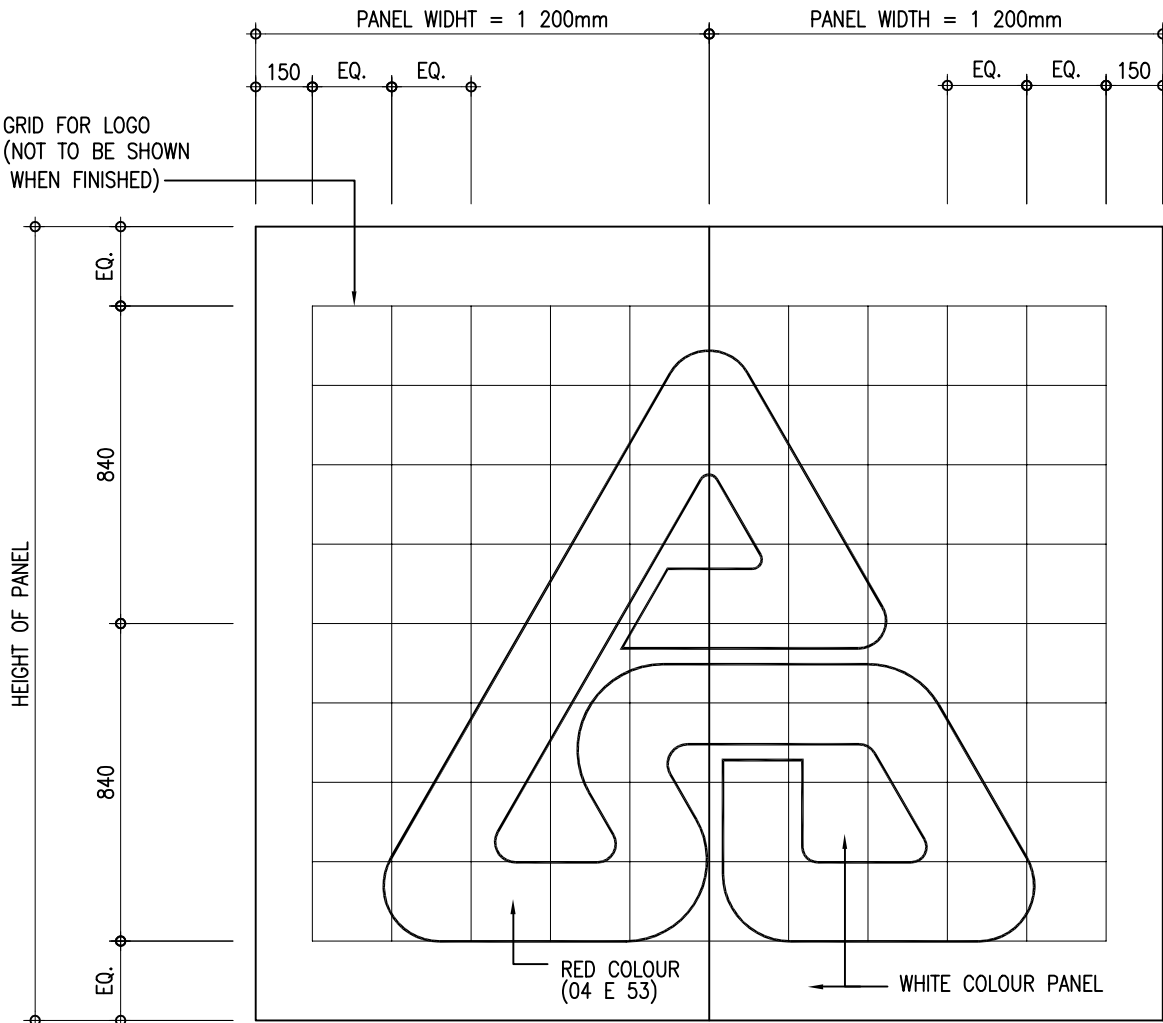
**ARCHITECTURAL BRANCH
ARCH. SERVICES DEPT.**

title
ARCH. S.D. LOGO - TYPE A

scale
1:20

drawing no.
7110_01 (11/95)

GRID FOR LOGO
(NOT TO BE SHOWN
WHEN FINISHED)



NOTE :

1. POSITION OF LOGO REFERED TO DWG. NO. 9711_12.

CHECKED
CA/3

W. B. N. Lelo

DATE
25. 11. 95

APPROVED
AD(PS)

W. B. N. Lelo

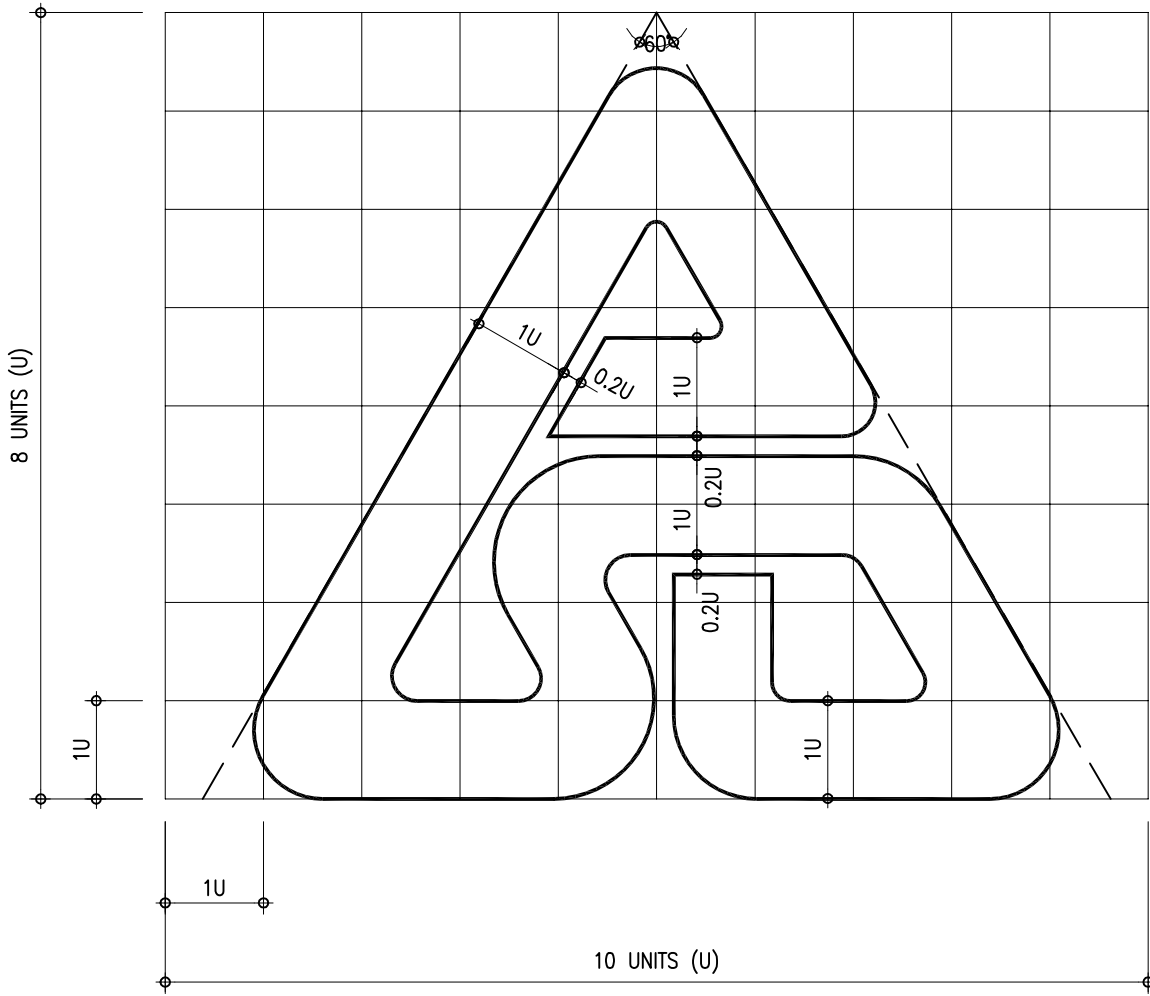
DATE
5. 12. 95

**ARCHITECTURAL BRANCH
ARCH. SERVICES DEPT.**

title
ARCH. S.D. LOGO - TYPE B

scale
1:20

drawing no.
7110_02 (11/95)



CHECKED
CA/3

W. B. Lelo

DATE
25. 11. 95

APPROVED
AD(PS)

W. B. Lelo

DATE
5. 12. 95

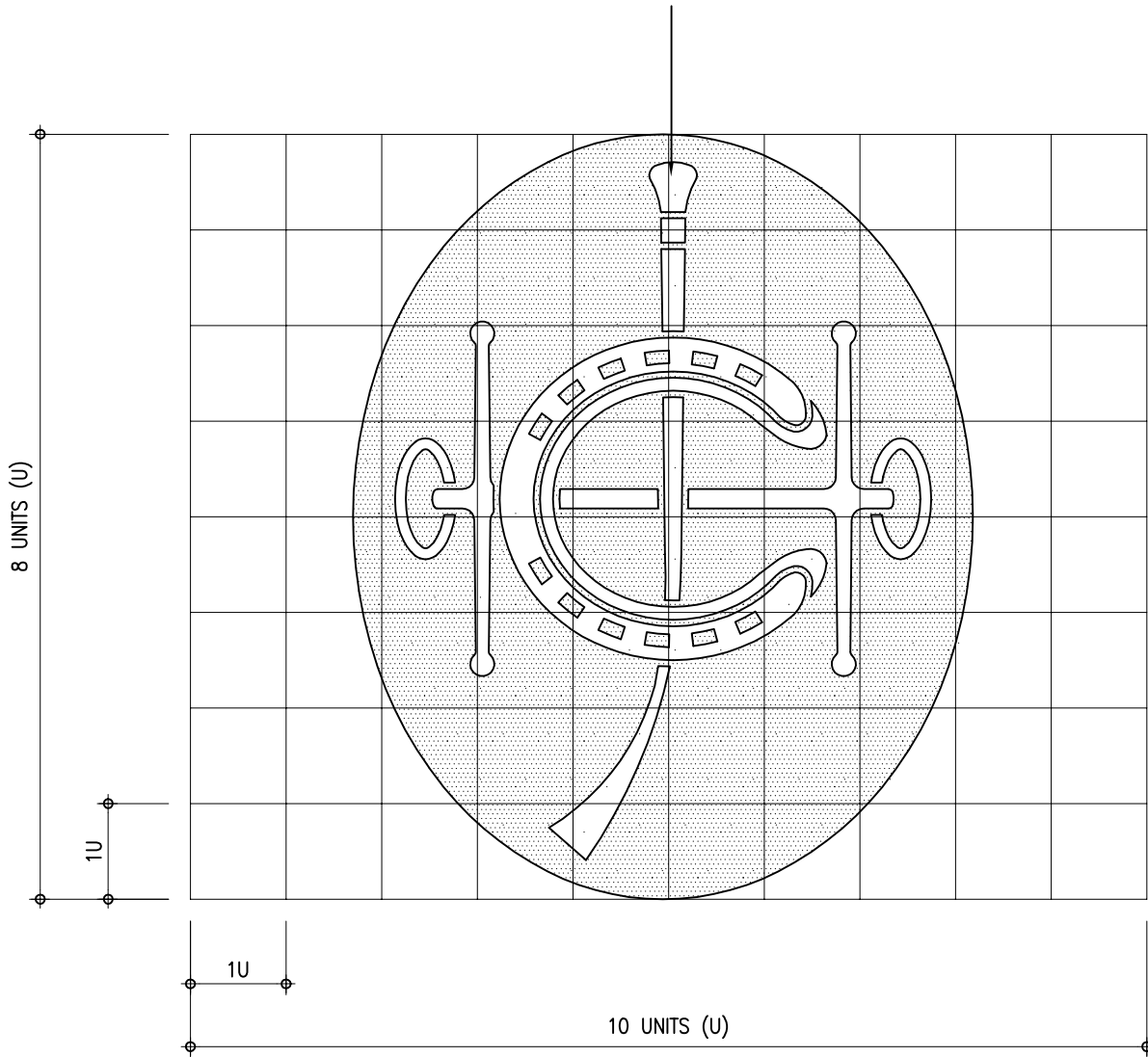
ARCHITECTURAL BRANCH
ARCH. SERVICES DEPT.

title
ARCH. S.D. LOGO – SETTING OUT

scale
1:1

drawing no.
7110_03 (11/95)

YELLOW COLOUR ON BLUE BACKGROUND



CHECKED
CA/3

Alfonso

DATE
17.2.98.

APPROVED
AD(PS)

[Signature]

DATE
18.2.98

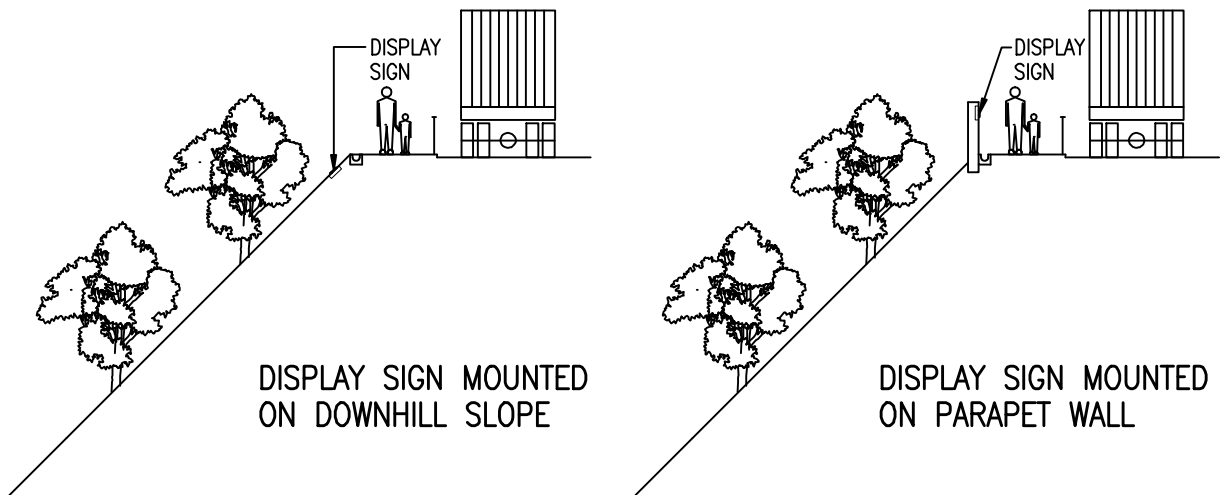
ARCHITECTURAL BRANCH
ARCH. SERVICES DEPT.

title

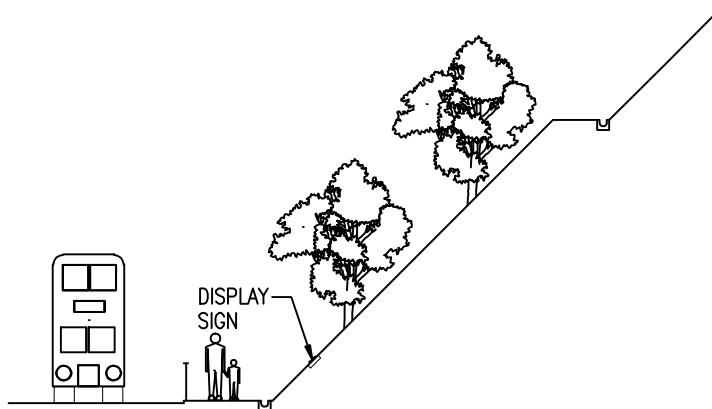
H.K.J.C. LOGO - SETTING OUT

scale
1:1

drawing no.
7110_12 (2/98)



MOUNTING FOR SLOPE ON DOWNHILL SIDE

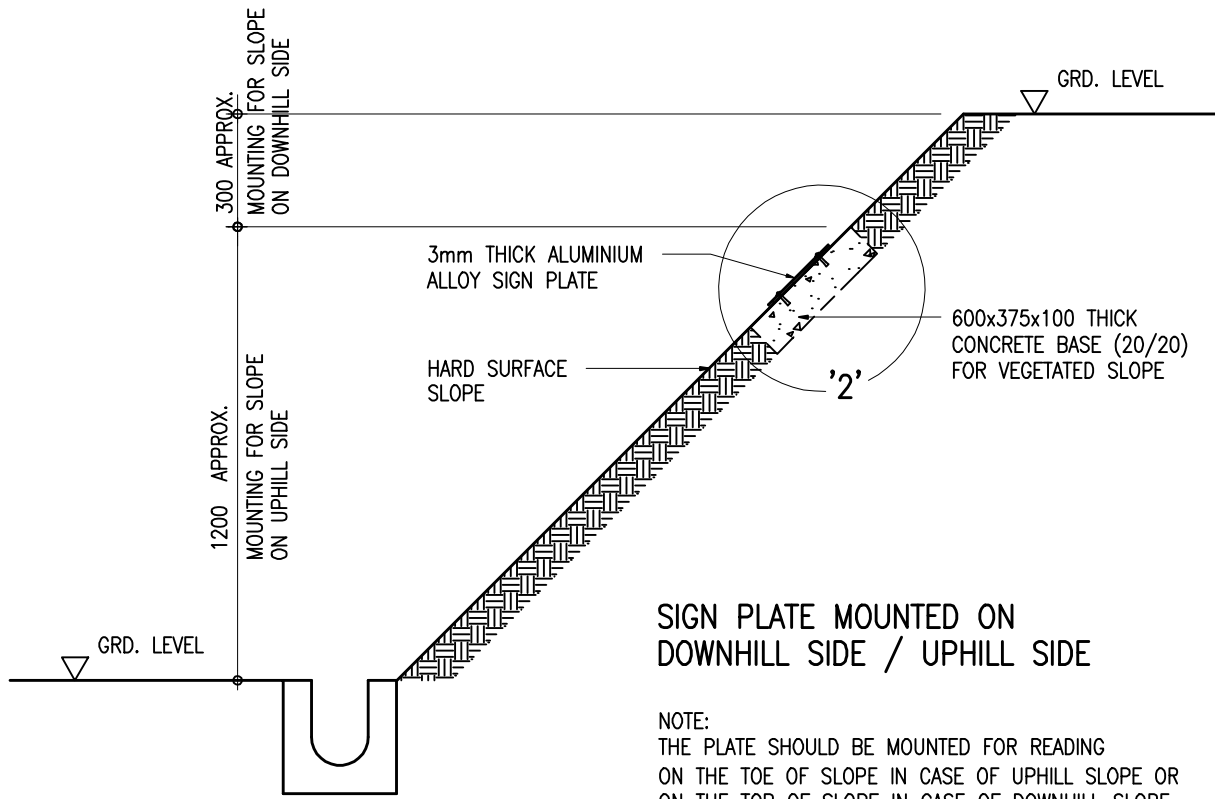


MOUNTING FOR SLOPE ON UPHILL SIDE

NOTES:

- WORKS BUREAU TECHNICAL CIRCULAR NO. 10/2000 SHOULD BE FOLLOWED FOR DISPLAY OF SLOPE REGISTRATION NUMBER.
- FOR EACH REGISTRATION FEATURE, ONE SIGN PLATE IS TO BE PROVIDED. FOR FEATURES ADJOINING EACH OTHER, GROUPING OF THEIR REGISTRATION NUMBERS INTO ONE SIGN PLATE SHOULD BE CONSIDERED. SIGN PLATE SHOULD NOT BE ERECTED ON POSTS WHERE THIS CAN BE AVOIDED.

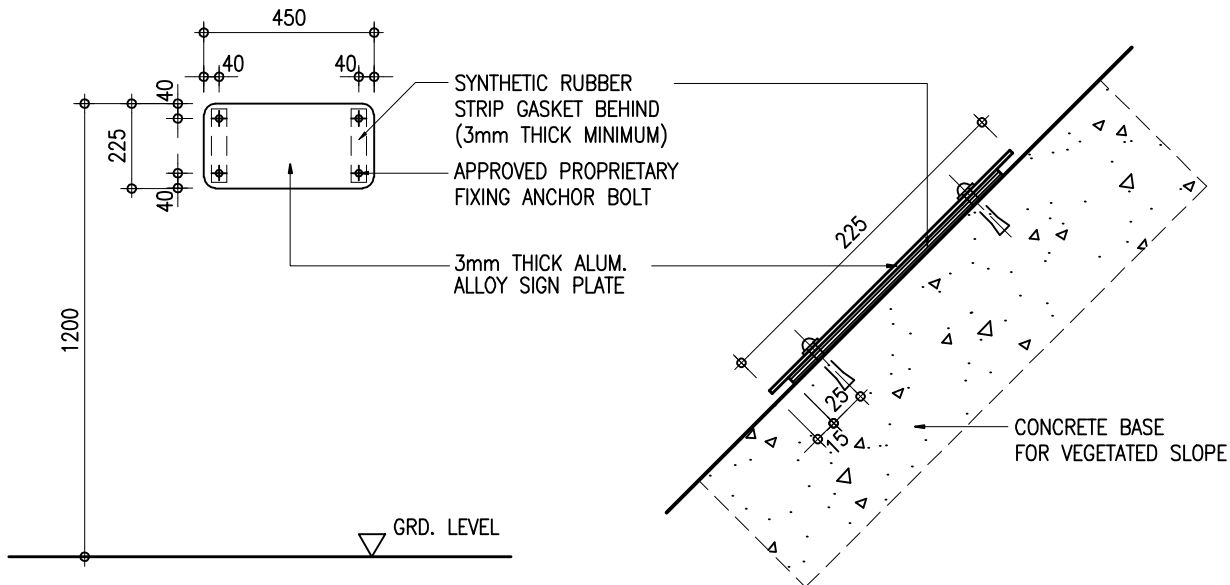
CHECKED CA/3	<i>D. Grew</i>	DATE 20/11/2000	APPROVED AD(PS)	<i>[Signature]</i>	DATE 20 11 2000
ARCHITECTURAL BRANCH ARCH. SERVICES DEPT.		title DISPLAY SIGN FOR MAN-MADE SLOPES/ RETAINING WALLS (1 OF 5)		scale 1:200	drawing no. 7116_01 (09/00)



**SIGN PLATE MOUNTED ON
DOWNHILL SIDE / UPHILL SIDE**

NOTE:
THE PLATE SHOULD BE MOUNTED FOR READING
ON THE TOE OF SLOPE IN CASE OF UPHILL SLOPE OR
ON THE TOP OF SLOPE IN CASE OF DOWNHILL SLOPE

SECTION 1 : 20



ELEVATION 1 : 20

DETAIL 2 1 : 5

SIGN PLATE MOUNTED ON SLOPE

CHECKED CA/3 *D. Ghera*

DATE 20/11/2000

APPROVED AD(PS) *[Signature]*

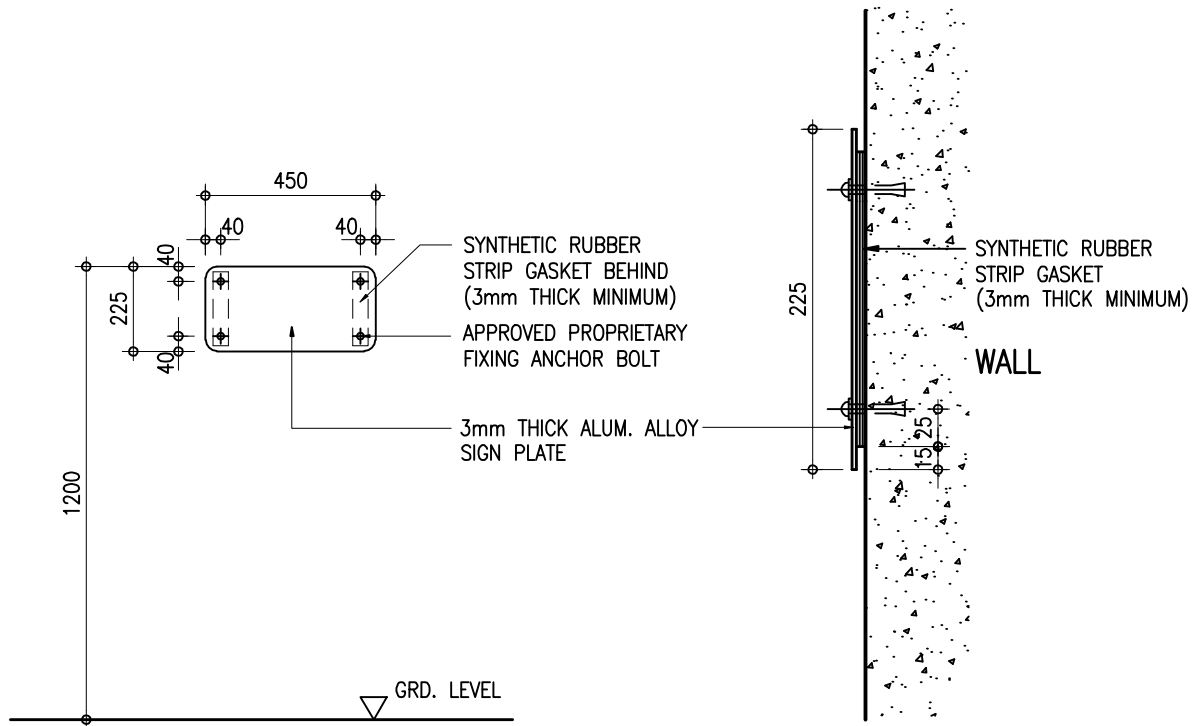
DATE 20 11 2000

**ARCHITECTURAL BRANCH
ARCH. SERVICES DEPT.**

title **DISPLAY SIGN FOR MAN-MADE SLOPES/
RETAINING WALLS (2 OF 5)**

scale AS SHOWN

drawing no. 7116_02 (09/00)

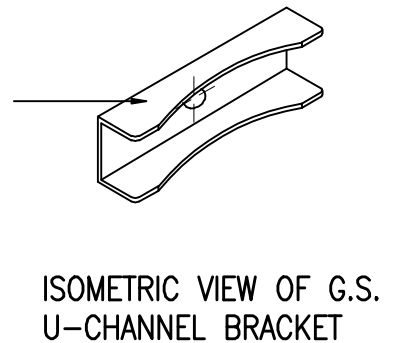
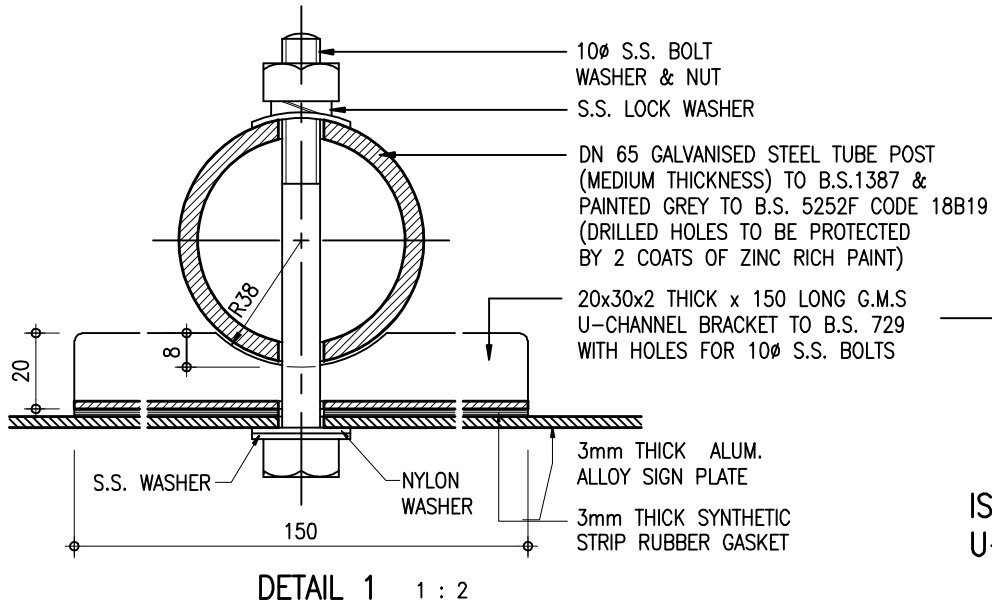
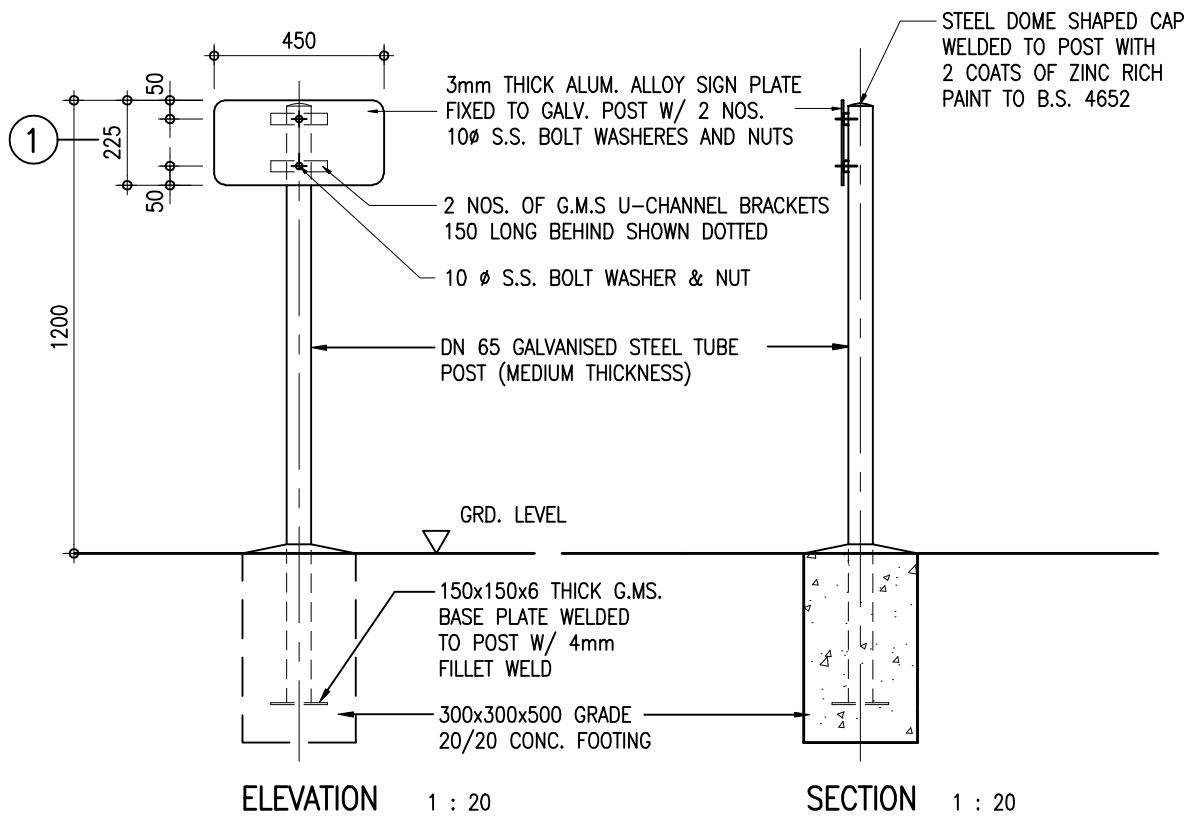


ELEVATION 1 : 20

SECTION 1 : 5

SIGN PLATE MOUNTED ON WALL

CHECKED CA/3 <i>D. Gher.</i>	DATE 20/11/2000	APPROVED AD(PS) <i>[Signature]</i>	DATE 20 11 2000
ARCHITECTURAL BRANCH ARCH. SERVICES DEPT.	title DISPLAY SIGN FOR MAN-MADE SLOPES/ RETAINING WALLS (3 OF 5)		scale AS SHOWN drawing no. 7116_03 (09/00)



SIGN PLATE MOUNTED ON POST

* SIGN PLATE SHOULD BE MOUNTED ON POST ONLY IF UNAVOIDABLE.

CHECKED
CA/3

D. Ghera

DATE

20/11/2000

APPROVED
AD(PS)

[Signature]

DATE

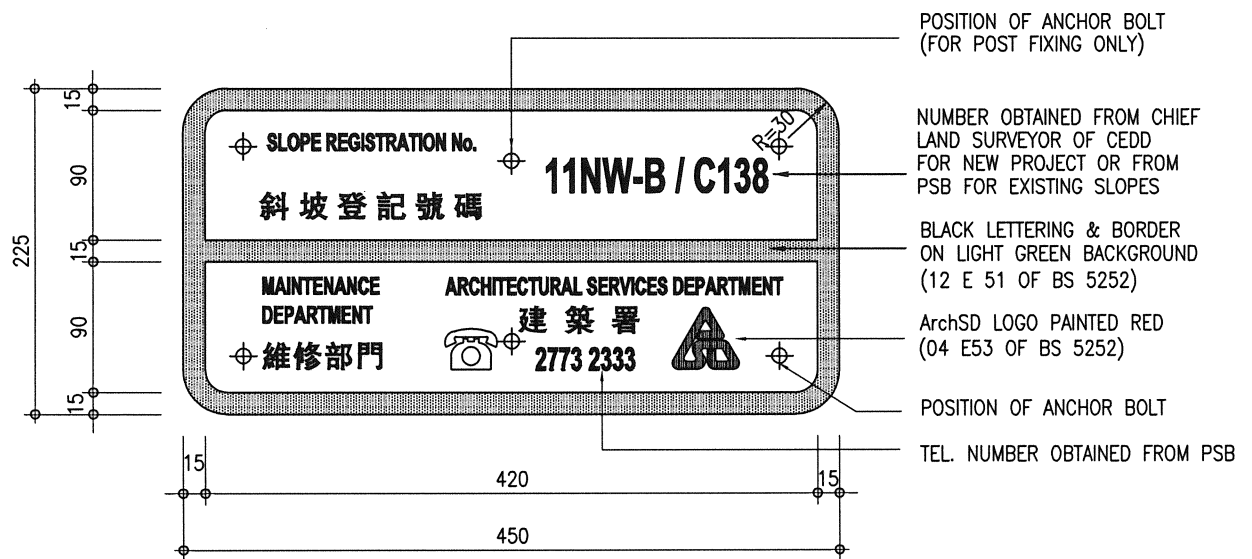
20 11 2000

ARCHITECTURAL BRANCH
ARCH. SERVICES DEPT.

title DISPLAY SIGN FOR MAN-MADE SLOPES/
RETAINING WALLS (4 OF 5)

scale
AS
SHOWN

drawing no.
7116_04 (09/00)

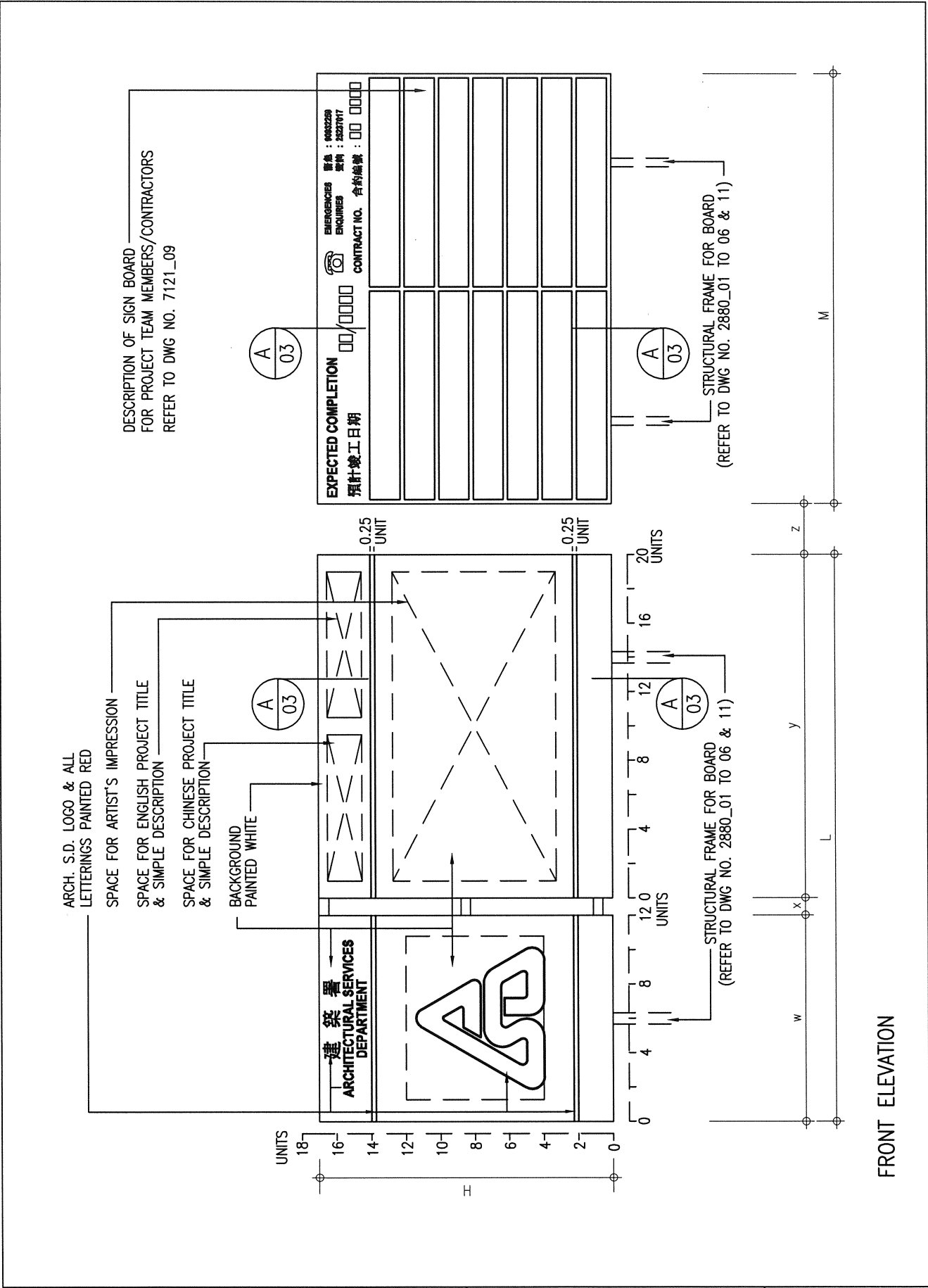


SIGN PLATE FOR SLOPES / RETAINING WALLS

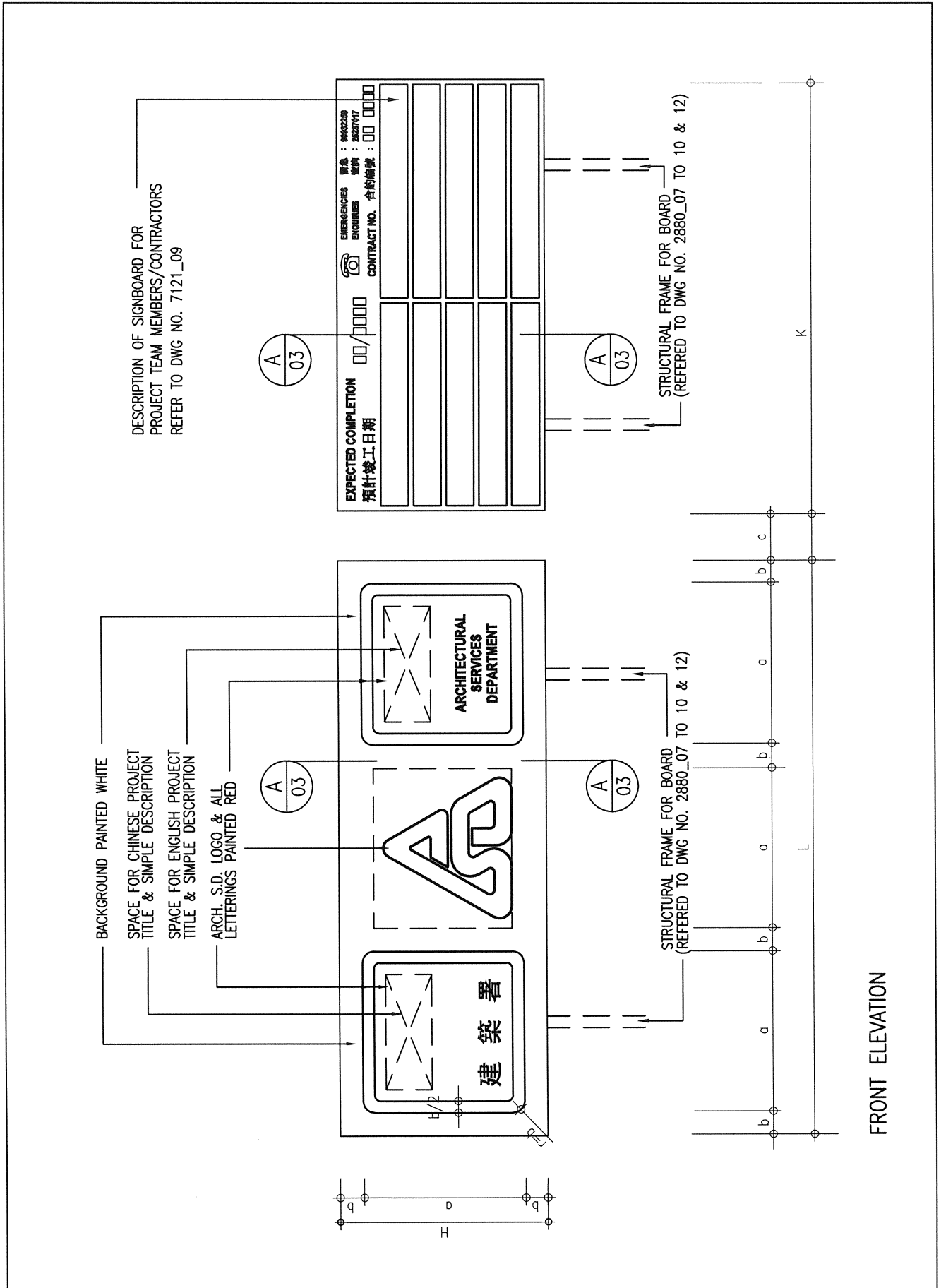
NOTES:

- WORKS BUREAU TECHNICAL CIRCULAR No. 10/2000 SHOULD BE FOLLOWED FOR DISPLAY OF MAN-MADE SLOPES/RETAINING WALLS REGISTRATION NUMBERS.
- SIGN PLATE SHALL BE CUT FROM 3mm THICK ALUMINIUM ALLOY PLATE.
- PAINTING TO FACES FOR SIGN PLATES SHALL COMPLY WITH THE REQUIREMENTS GIVEN IN CLAUSE 12.15 OF THE GENERAL SPECIFICATION FOR CIVIL ENGINEERING WORKS 2006 EDITION OR THEREAFTER.

CHECKED CA/ASC W.H. LEE <i>[Signature]</i>	DATE 11.4.2018	APPROVED AD(PS) C.K. HUI <i>[Signature]</i>	DATE 12.4.2018
ARCHITECTURAL BRANCH ARCH. SERVICES DEPT.	title DISPLAY SIGN FOR MAN-MADE SLOPES/ RETAINING WALLS (5 OF 5)	scale 1 : 5	drawing no. 7116_05 (03/18)

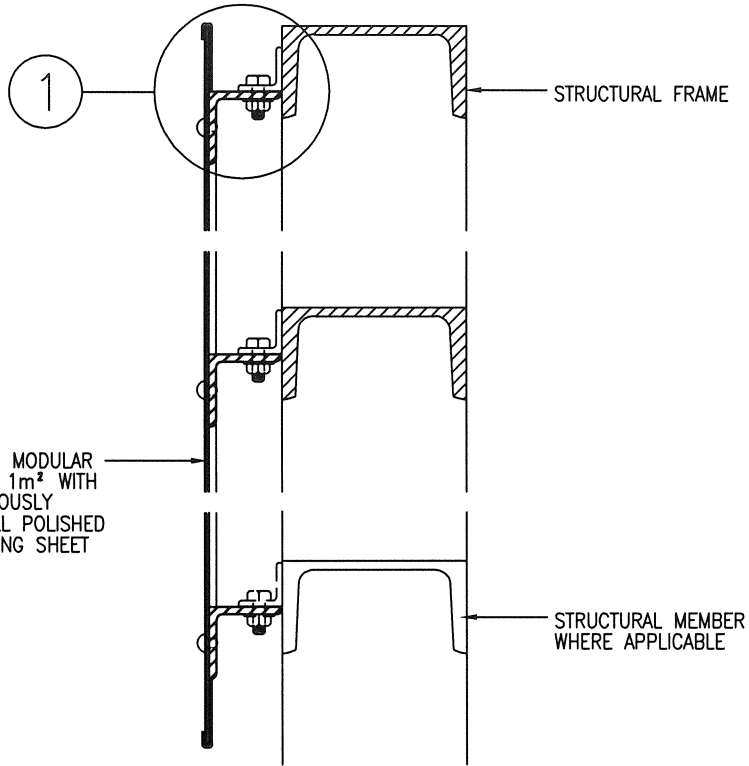


CHECKED CA/ASC W.H. LEE <i>W.H. Lee</i>	DATE 11.4.2018	APPROVED AD(PS) C.K. HUI <i>C.K. Hui</i>	DATE 12.4.2018
ARCHITECTURAL BRANCH ARCH. SERVICES DEPT.	title PROJECT SIGNBOARD DETAIL - TYPE 1		scale NTS drawing no. 7121_01 (03/18)



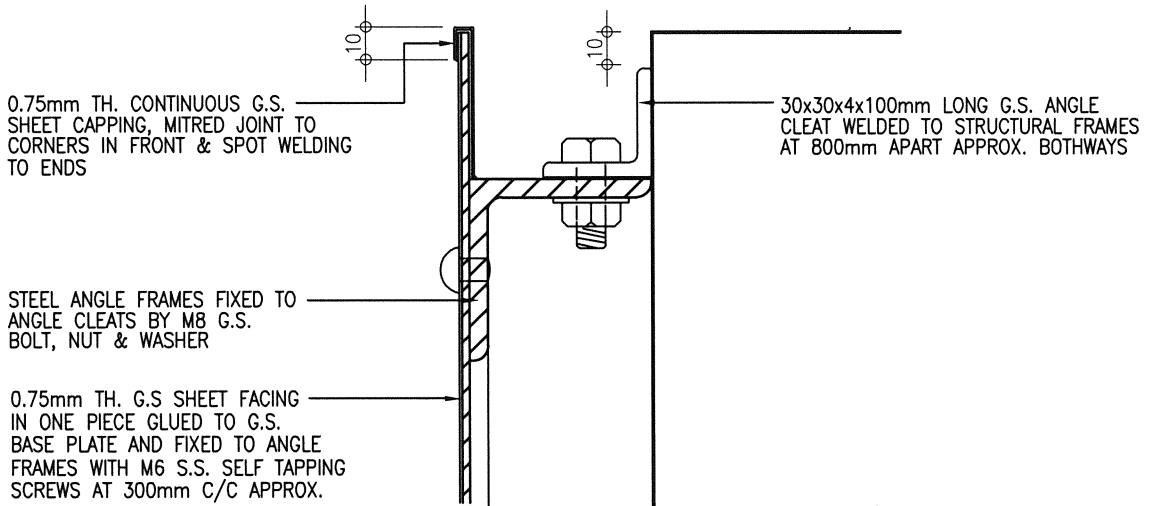
FRONT ELEVATION

CHECKED CA/ASC W.H. LEE		DATE 11.4.2018	APPROVED AD(PS) C.K. HUI		DATE 12.4.2018
ARCHITECTURAL BRANCH ARCH. SERVICES DEPT.	title PROJECT SIGNBOARD DETAIL - TYPE 2	scale NTS	drawing no. 7121_02 (03/18)		



2mm TH. G.S. BASE PLATE MODULAR SIZE SHOULD NOT EXCEED 1m² WITH BUTT JOINTS AND CONTINUOUSLY WELDED AT BACK AND WELL POLISHED IN FRONT TO RECEIVE FACING SHEET

SECTION A-A 1:5



1 DETAIL 1:2

NOTE :

1. SIZE OF STRUCTURAL MEMBERS FOR BOARD TO BE REFERED TO DWG. NO. 2880_01 TO 12.

CHECKED CA/ASC W.H. LEE <i>W.H. Lee</i>	DATE 11.4.2018	APPROVED AD(PS) C.K. HUI <i>C.K. Hui</i>	DATE 12.4.2018
ARCHITECTURAL BRANCH ARCH. SERVICES DEPT.	title PROJECT SIGNBOARD DETAIL - SECTION A-A		scale 1:2 1:5 drawing no. 7121_03 (03/18)

SIZE OF BOARDS

BOARD MARK \ SIZE(mm)	H x L	w	x	y	z	H x M	t	u	*
A	1 275 x 2 450	900	50	1 500	220	1 260 x 1 850	150	35	
B	1 700 x 3 300	1 200	100	2 000	300	1 700 x 2 500	200	50	
C	2 550 x 4 950	1 800	150	3 000	450	2 550 x 3 750	300	75	
D	3 400 x 6 600	2 400	200	4 000	600	3 400 x 5 000	400	100	
E	4 250 x 8 250	3 000	250	5 000	750	4 250 x 6 250	500	125	
F	5 100 x 9 900	3 600	300	6 000	900	5 100 x 7 500	600	150	
G	5 950 x 11 550	4 200	350	7 000	1 050	5 950 x 8 750	700	175	

NOTES :

1. CONC. MIXTURE FOR FOOTING TO BE OF GRADE 25/20 .
2. ALL JOINTS AND CONNECTIONS FOR STEEL WORKS TO BE OF 6mm FILLET WELDING, SUPPORTING TRUSS MAY ALTERNATIVELY BE BOLTED SUBJECT TO ENGINEER'S APPROVAL.
3. THE RED COLOUR USED FOR THE LOGO AND LETTERINGS TO BE OF BRITISH STANDARD COLOUR NO. 04 E 53 OR SIMILAR APPROVED.
4. * SELECT BOARD MARK FOR PROJECT (✓) AS APPROPRIATE.

CHECKED CA/3 <i>W. B. Lelo</i>	DATE 7.1.97	APPROVED AD(PS) <i>W. B. Lelo</i>	DATE 8.1.97
ARCHITECTURAL BRANCH ARCH. SERVICES DEPT.	title PROJECT SIGNBOARD DETAIL – SIZE OF BOARDS FOR TYPE 1		scale NTS drawing no. 7121_04 (01/97)

SIZE OF BOARDS

BOARD MARK \ SIZE(mm)	H x L	a	b	c	H x K	d	e	t	u	*
M	900 x 2 500	700	100	200	900 x 1 875	900	75	140	50	
N	1 200 x 3 350	950	125	250	1 200 x 2 500	1 200	100	200	50	
P	1 500 x 4 200	1 200	150	300	1 500 x 3 125	1 500	125	240	75	
R	1 800 x 5 000	1 400	200	400	1 800 x 3 750	1 800	150	300	100	
S	2 400 x 6 700	1 900	250	500	2 400 x 5 000	2 400	200	400	100	
T	3 100 x 8 700	2 500	300	600	3 100 x 6 450	3 100	250	500	150	
U	3 600 x 10 000	2 800	400	800	3 600 x 7 500	3 600	300	600	150	

NOTES :

1. CONC. MIXTURE FOR FOOTING TO BE OF GRADE 25/20.
2. ALL JOINTS AND CONNECTIONS FOR STEEL WORKS TO BE OF 6mm FILLET WELDING, SUPPORTING TRUSS MAY ALTERNATIVELY BE BOLTED SUBJECT TO ENGINEER'S APPROVAL.
3. THE RED COLOUR USED FOR THE LOGO AND LETTERINGS TO BE OF BRITISH STANDARD COLOUR NO. 04 E 53 OR SIMIAR APPROVED.
4. * SELECT BOARD MARK FOR PROJECT () AS APPROPRIATE.

CHECKED
CA/3

W. B. Lelo

DATE

7.1.97

APPROVED
AD(PS)

W. B. Lelo

DATE

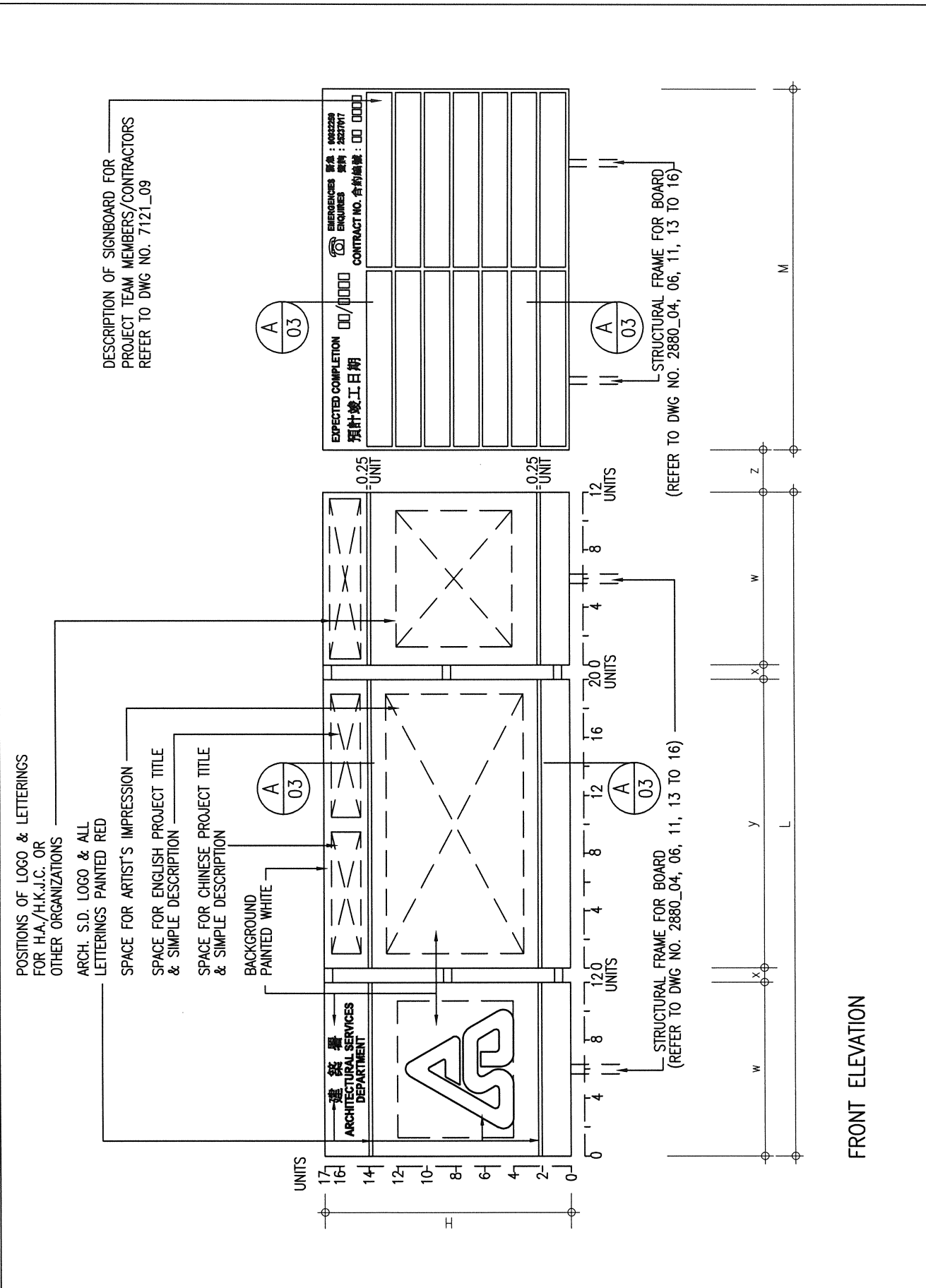
8.1.97

ARCHITECTURAL BRANCH
ARCH. SERVICES DEPT.

title PROJECT SIGNBOARD DETAIL -
SIZE OF BOARDS FOR TYPE 2 & 4

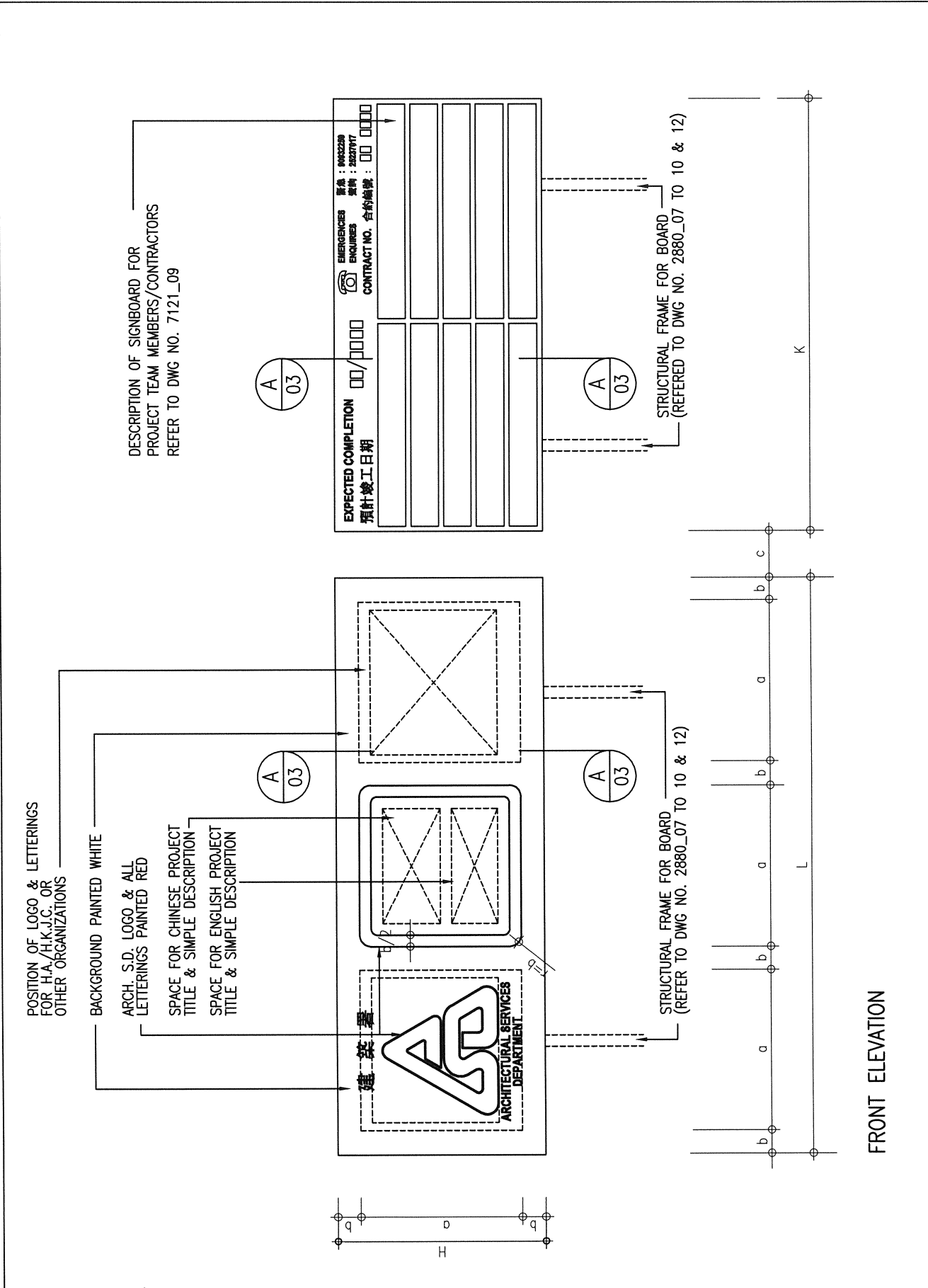
scale
NTS

drawing no.
7121_05 (01/97)



FRONT ELEVATION

CHECKED CA/ASC W.H. LEE <i>W.H. Lee</i>	DATE 11.4.2018	APPROVED AD(PS) C.K. HUI <i>C.K. Hui</i>	DATE 12.4.2018
ARCHITECTURAL BRANCH ARCH. SERVICES DEPT.	title PROJECT SIGNBOARD DETAIL - TYPE 3		scale NTS drawing no. 7121_06 (03/18)



FRONT ELEVATION

CHECKED CA/ASC W.H. LEE <i>[Signature]</i>	DATE 11.4.2018	APPROVED AD(PS) C.K. HUI <i>[Signature]</i>	DATE 12.4.2018
ARCHITECTURAL BRANCH ARCH. SERVICES DEPT.	title PROJECT SIGNBOARD DETAIL - TYPE 4		scale NTS drawing no. 7121_07 (03/18)

SIZE OF BOARDS

BOARD MARK \ SIZE(mm)	H x L	w	x	y	z	H x M	t	u	*
A	1 275 x 3 400	900	50	1 500	220	1 275 x 1 850	150	35	
B	1 700 x 4 600	1 200	100	2 000	300	1 700 x 2 500	200	50	
C	2 550 x 6 900	1 800	150	3 000	450	2 550 x 3 750	300	75	
D	3 400 x 9 200	2 400	200	4 000	600	3 400 x 5 000	400	100	
E	4 250 x 11 500	3 000	250	5 000	750	4 250 x 6 250	500	125	
F	5 100 x 13 800	3 600	300	6 000	900	5 100 x 7 500	600	150	
G	5 950 x 16 100	4 200	350	7 000	1 050	5 950 x 8 750	700	175	

NOTES :

1. CONC. MIXTURE FOR FOOTING TO BE OF GRADE 25/20 .
2. ALL JOINTS AND CONNECTIONS FOR STEEL WORKS TO BE OF 6mm FILLET WELDING, SUPPORTING TRUSS MAY ALTERNATIVELY BE BOLTED SUBJECT TO ENGINEER'S APPROVAL.
3. THE RED COLOUR USED FOR THE LOGO AND LETTERINGS TO BE OF BRITISH STANDARD COLOUR NO. 04 E 53 OR SIMILAR APPROVED.
4. * SELECT BOARD MARK FOR PROJECT (✓) AS APPROPRIATE.

CHECKED
CA/3

W. B. Lele

DATE

7.1.97

APPROVED
AD(PS)

W. B. Lele

DATE

8.1.97

**ARCHITECTURAL BRANCH
ARCH. SERVICES DEPT.**

title PROJECT SIGNBOARD DETAIL –
SIZE OF BOARDS FOR TYPE 3

scale
NTS

drawing no.
7121_08 (01/97)

COMPLETION DATE
(MONTH/YEAR)

BACKGROUND PAINTED
RED WITH WHITE
LETTERINGS

COLOUR SCHEME
TO BE DESIGNED BY
PROJECT ARCHITECT
(BUT NOT RED)

NAME OF
SUB-CONTRACTORS/
SUPPLIERS
IF NECESSARY

<p>EMERGENCIES 緊急 : 90932259 ENQUIRIES 查詢 : 25237017</p> <p>CONTRACT NO. 合約編號 : □□ □□□□</p>	
<p>EXPECTED COMPLETION 預計竣工日期</p> <p>□□/□□□□</p>	<p>ARCHITECTURAL SERVICES DEPARTMENT 建築署</p>
<p>Main Contractor 總承建商</p> <p>□□□□□□□□ □□□□□□□□</p>	<p>Project Manager 項目經理</p> <p>□□□□□□□□</p>
<p>Architect 建築師</p> <p>□□□□□□□□ □□□□□□□□</p>	<p>Architect 建築師</p> <p>□□□□□□□□ □□□□□□□□</p>
<p>Structural Engineer 結構工程師</p> <p>□□□□□□□□ □□□□□□□□</p>	<p>Structural Engineer 結構工程師</p> <p>□□□□□□□□ □□□□□□□□</p>
<p>Building Services Engineer 屋宇裝備工程師</p> <p>□□□□□□□□ □□□□□□□□</p>	<p>Building Services Engineer 屋宇裝備工程師</p> <p>□□□□□□□□ □□□□□□□□</p>
<p>Quantity Surveyor 工料測量師</p> <p>□□□□□□□□ □□□□□□□□</p>	<p>Quantity Surveyor 工料測量師</p> <p>□□□□□□□□ □□□□□□□□</p>
<p>Landscape Architect 園境師</p> <p>□□□□□□□□ □□□□□□□□</p>	<p>Landscape Architect 園境師</p> <p>□□□□□□□□ □□□□□□□□</p>
<p>CONTRACTOR/SUB-CONTRACTORS</p>	<p>PROJECT TEAM MEMBERS</p>

FRONT ELEVATION

IF CONSULTANT IS EMPLOYED/Consultant/ '顧問' TO BE ADDED TO THE DISCIPLINE e.g. 'Consultant Architect' / '顧問建築師'
AND NAME OF CONSULTANT WILL REPLACE 'ARCHITECTURAL SERVICES DEPARTMENT'

CHECKED
CPM303

D. J. ...

DATE

8/12/03

APPROVED
AD(PS)

M. ...

DATE

9.12.03

ARCHITECTURAL BRANCH
ARCH. SERVICES DEPT.

title **PROJECT SIGNBOARD DETAIL -
SIGNBOARDS FOR PROJECT TEAM MEMBERS,
CONTRACTORS & SUB-CONTRACTORS**

scale
NTS

drawing no.
7121_09 (12/03)

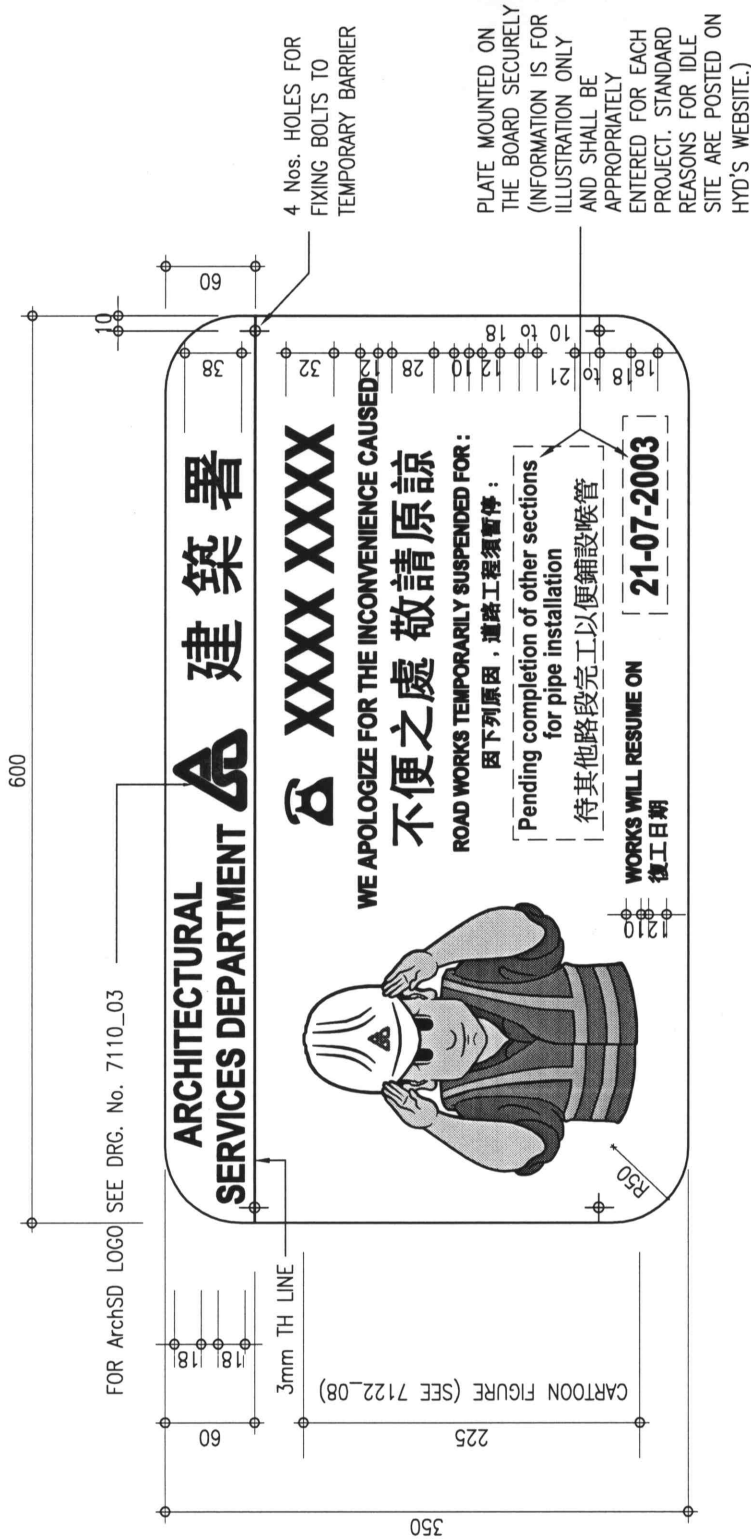
NOTES:

1. ALL DIMENSIONS ARE IN MILLIMETERS.
2. SIGN PLATES SHALL BE CUT FROM 3mm ALUMINIUM PLATE TO EN 485 AND SIGN FACE SHALL BE CONSTRUCTED OF CLASS REF. 1 RETROREFLECTIVE MATERIALS TO BS EN 12899-1.
3. COLOUR TO BS 5252F (1976) AS FOLLOWS:

BLACK	CODE 00 E 53
RED	CODE 04 E 53
YELLOW	CODE 08 E 51
WHITE	CODE 00 E 55
BLUE	CODE 20 D 45
ORANGE	CODE 06 E 55
SKIN COLOUR	CODE 08 C 31
4. ENGLISH LETTERS (INCLUDING NUMBERS) AND CHINESE CHARACTERS SHALL BE PAINTED IN BLACK AND BE OF ARIAL NARROW BOLD AND 'HEI' STYLE (黑體) RESPECTIVELY. FREE-HAND WRITING IS NOT PERMITTED.
5. INFORMATION IN THE DISPLAY / PUBLICITY BOARDS INCLUDING COMPLETION DATES AND DESCRIPTION OF WORKS SHALL BE APPROVED BY THE ARCHITECT.
6. THE ANTICIPATED COMPLETION DATE / THE ANTICIPATED COMPLETION DATE FOR THIS SECTION SHALL INDICATE THE BEST ESTIMATED DATE OF RE-OPENING THE ROAD / THIS SECTION OF THE ROAD RESPECTIVELY (BUT NOT NECESSARILY THE CONTRACT COMPLETION DATE OR EXCAVATION PERMIT EXPIRY DATE).
7. FOR WORK SITES (INCLUDING DECKED AREA) LESS THAN 50m IN LENGTH, ONE SMALL DISPLAY BOARD EXPLAINING REASONS FOR APPARENTLY UNATTENDED ROAD WORKS SHALL BE PROVIDED; FOR WORK SITES (INCLUDING DECKED AREA) LONGER THAN 50m IN LENGTH, SMALL DISPLAY BOARDS SHALL BE PROVIDED AT THE END OF THE SITE AND ALONG THE SITE AT A MAX. SPACING OF 50m.
8. FOR WORK SITES (INCLUDING DECKED AREA) LESS THAN 50m IN LENGTH, ONE SMALL PUBLICITY BOARD SHALL BE PROVIDED; FOR A WORK SITE (INCLUDING DECKED AREA) LONGER THAN 50m IN LENGTH, SMALL PUBLICITY BOARDS SHALL BE PROVIDED AT THE END OF THE SITE AND ALONG THE SITE AT A MAX. SPACING OF 50m.
9. THE SMALL PUBLICITY/DISPLAY BOARDS SHALL BE DISPLAYED AT A PROMINENT LOCATION AND ORIENTATED TOWARDS PEDESTRIANS FOR PUBLIC'S REFERENCE.
10. FOR GUIDELINES ON THE PROVISION OF DISPLAY BOARDS FOR MOTORISTS EXPLAINING REASONS FOR APPARENTLY UNATTENDED ROAD WORKS, REFER THE CURRENT VERSION OF HyD GUIDANCE NOTES No. RD/GN/024.
11. FOR GUIDELINES ON THE PROVISION OF PUBLICITY BOARDS FOR MOTORISTS AT ROAD WORKS AND UTILITY SITES, REFER TO THE CURRENT VERSION OF HyD GUIDANCE NOTES No. RD/GN/019.
12. THE INFORMATION GIVEN IN THE INSERT-PLATE IS FOR ILLUSTRATION ONLY. APPROPRIATE DETAILS SHALL BE ENTERED FOR EACH PROJECT.
13. THE FACE OF THE INSERT PLATES SHALL BE CONSTRUCTED WITH CLASS REF. 1 REFLECTIVE MATERIALS TO BS EN 12899-1.
14. FOR DETAILS OF ARCHSD LOGO SEE DWG. No. 7110_03.
15. FOR DETAILS OF CARTOON FIGURE SEE DWG. No. 7122_08.
16. FOR TEMPORARY BARRIER SEE DWG. No. 7122_09.
17. FOR SUPPORT OF DISPLAY/PUBLICITY BOARDS FOR MOTORIST SEE THE CURRENT VERSION OF HyD STANDARD DWG. No. H 6165.
18. FOR TEMPORARY FOOTWAY DIVERSION SEE THE CURRENT VERSION OF HyD STANDARD DWG. No. H 1133.
19. ALTERNATIVE DESIGN OF TEMPORARY BARRIER INCLUDING THE FIXING OF DISPLAY BOARD ETC. WILL BE SUBJECT TO ARCHITECT'S APPROVAL.
20. USING PLASTIC BACKING PLATE INSTEAD OF ALUMINIUM BACKING PLATE IS PERMITTED. THE FACE OF THE PLASTIC DISPLAY BOARD SHALL NOT SHOW SIGNS OF DETERIORATION, SUCH AS CRACKING, SCALING, BLISTERING, DELAMINATION AND CORROSION.
21. ENQUIRY CALL NO. SHOWN ON DISPLAY BOARD & PUBLICITY BOARD SHALL BE AS FOLLOWS UNLESS OTHERWISE STATED :-

TEL. NO.	LOCATION OF NEW WORKS	COVERED AREAS
6391 2204	ZONE 1	HONG KONG ISLAND & ISLANDS
6391 3025	ZONE 2	KOWLOON EAST, TSEUNG KWAN O, SAI KUNG & KAI TAK
6391 3250	ZONE 3	KOWLOON WEST, KOWLOON SOUTH & KOWLOON NORTH
6391 3460	ZONE 4	LAI CHI KOK, KWAI CHUNG, TSUEN WAN, TUNG CHUNG & LANTAU ISLAND
6391 5572	ZONE 5	SHATIN, MA ON SHAN, TAI PO, FANLING & SHEUNG SHUI
6391 7235	ZONE 6	TUEN MUN, YUEN LONG & TIN SHUI WAI
6391 1752	FOR ALL PSB PROJECTS	

CHECKED CA/ASC W.H. LEE	DATE 11.4.2018	APPROVED AD(PS) C.K. HUI	DATE 12.4.2018
ARCHITECTURAL BRANCH ARCH. SERVICES DEPT.	title GENERAL NOTES	scale	drawing no. 7122_01 (03/18)



- NOTES:
1. SEE NOTES ON DRG. No. 7122_01
 2. DISPLAY BOARD MOUNTED TO TEMPORARY BARRIER (SEE DRG. No. 7122_09)
 3. ENQUIRY CALL NO. XXXX XXXX SEE DRG. No. 7122_01

CHECKED CSE/2 L.F. WONG <i>L.F. Wong</i>	DATE 5/3/2010	APPROVED AD(PS) S.W. FONG <i>S.W. Fong</i>	DATE 9 MAR 2010
ARCHITECTURAL BRANCH ARCH. SERVICES DEPT.	title SMALL DISPLAY BOARD FOR EXPLAINING REASONS FOR APPARENTLY UNATTENDED ROAD WORKS		scale 1 : 5 drawing no. 7122_02 (03/10)

930



4 Nos. HOLES FOR M6 BOLTS FOR FIXING ON TEMPORARY BARRIER

3mm THICK LINE IN BLACK

3mm TH. ALUMINIUM PLATE

1.5mm INSERTED PLATE

DESCRIPTION OF WORKS IS FOR ILLUSTRATION ONLY AND SHALL BE APPROPRIATELY ENTERED FOR EACH PROJECT

BACKGROUND IN YELLOW

3mm ALUMINIUM PUBLICITY BOARD

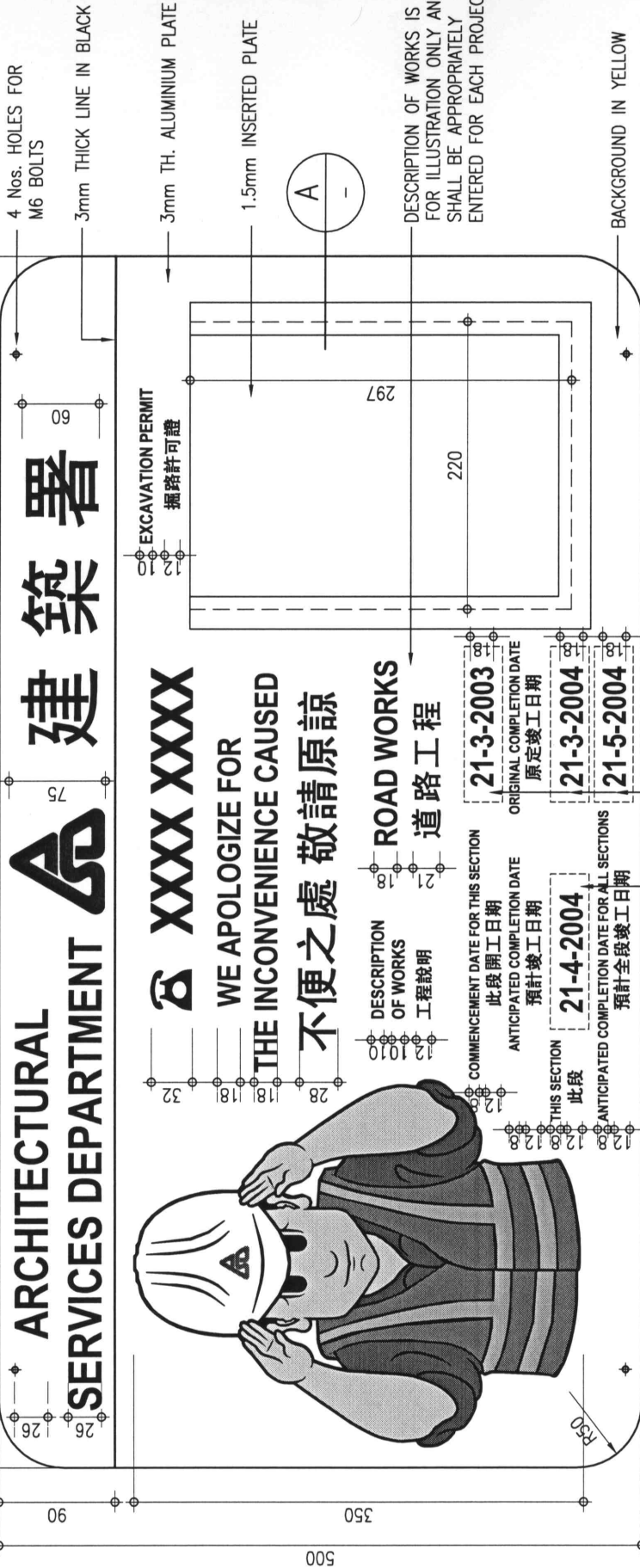
3mm ALUMINIUM HOLDER

DETAIL AT 'A' 1:2

- NOTES:
1. SEE NOTES ON DRG. No. 7122_01
 2. NOTICE BOARD MOUNTED TO TEMPORARY BARRIER (SEE DRG. No. 7122_09)
 3. ENQUIRY CALL NO. XXXX XXXX SEE DRG. No. 7122_01

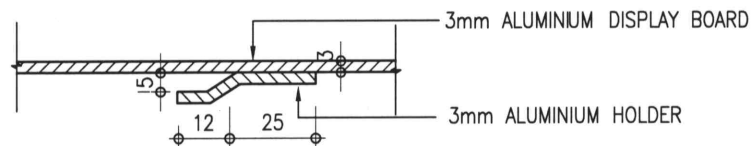
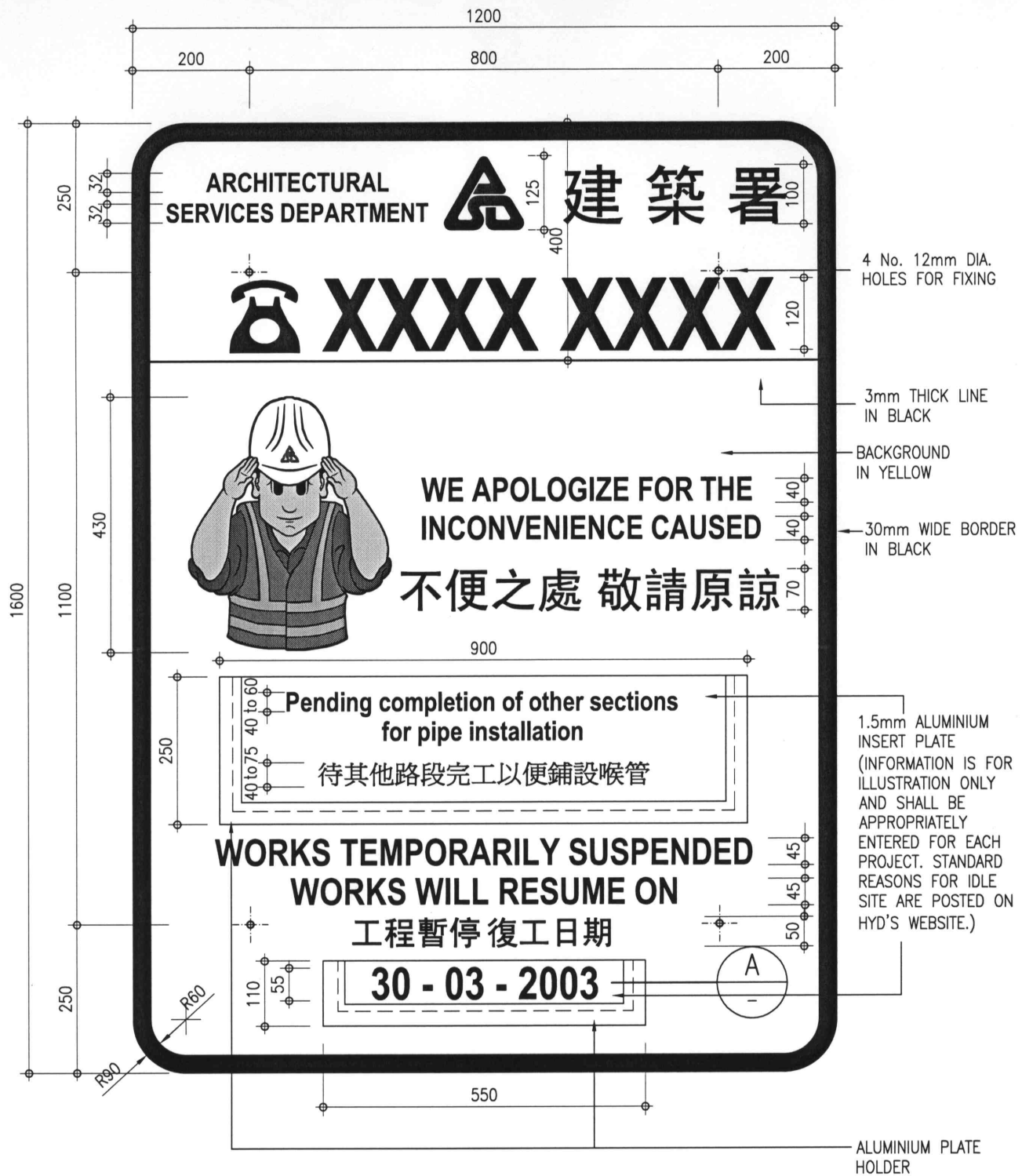
CHECKED CSE/2 L.F. WONG	DATE 5/3/2010	APPROVED AD(PS) S.W. FONG	DATE 9 MAR 2010
ARCHITECTURAL BRANCH ARCH. SERVICES DEPT.	title SMALL PUBLICITY BOARD (TYPE 'A')	scale 1:5 1:2	drawing no. 7122_03 (03/10)

930



- NOTES:
1. SEE NOTES ON DRG. No. 7122_01
 2. NOTICE BOARD MOUNTED TO TEMPORARY BARRIER (SEE DRG. No. 7122_09)
 3. ENQUIRY CALL NO. XXXX XXXX SEE DRG. No. 7122_01
 4. THIS TYPE 'B' PUBLICITY BOARD SHALL BE USED FOR PROJECTS COMPLETED IN SEPARATE SECTIONS WITH DIFFERENT COMPLETION DATES. A SECTION OF PROJECT SHALL BE OF A REASONABLE LENGTH. AS A GUIDE, A SECTION SHOULD NORMALLY BE NOT LESS THAN (a) 100 METRES LONG ON URBAN ROADS WITH SHOP FRONTS, OR (b) 200 METRES ON ROADS WITH THROUGH TRAFFIC WITH NO SHOP FRONTS.

CHECKED CSE/2 L.F. WONG	DATE 5/3/2010	APPROVED AD(PS) S.W. FONG	DATE -9 MAR 2010
ARCHITECTURAL BRANCH ARCH. SERVICES DEPT.	title SMALL PUBLICITY BOARD (TYPE 'B')	scale 1 : 5 1 : 2	drawing no. 7122_04 (03/10)

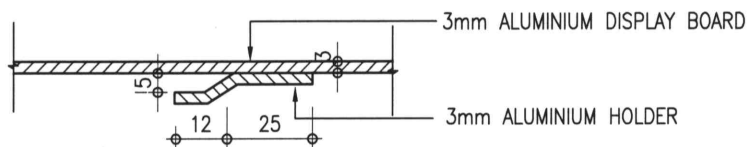
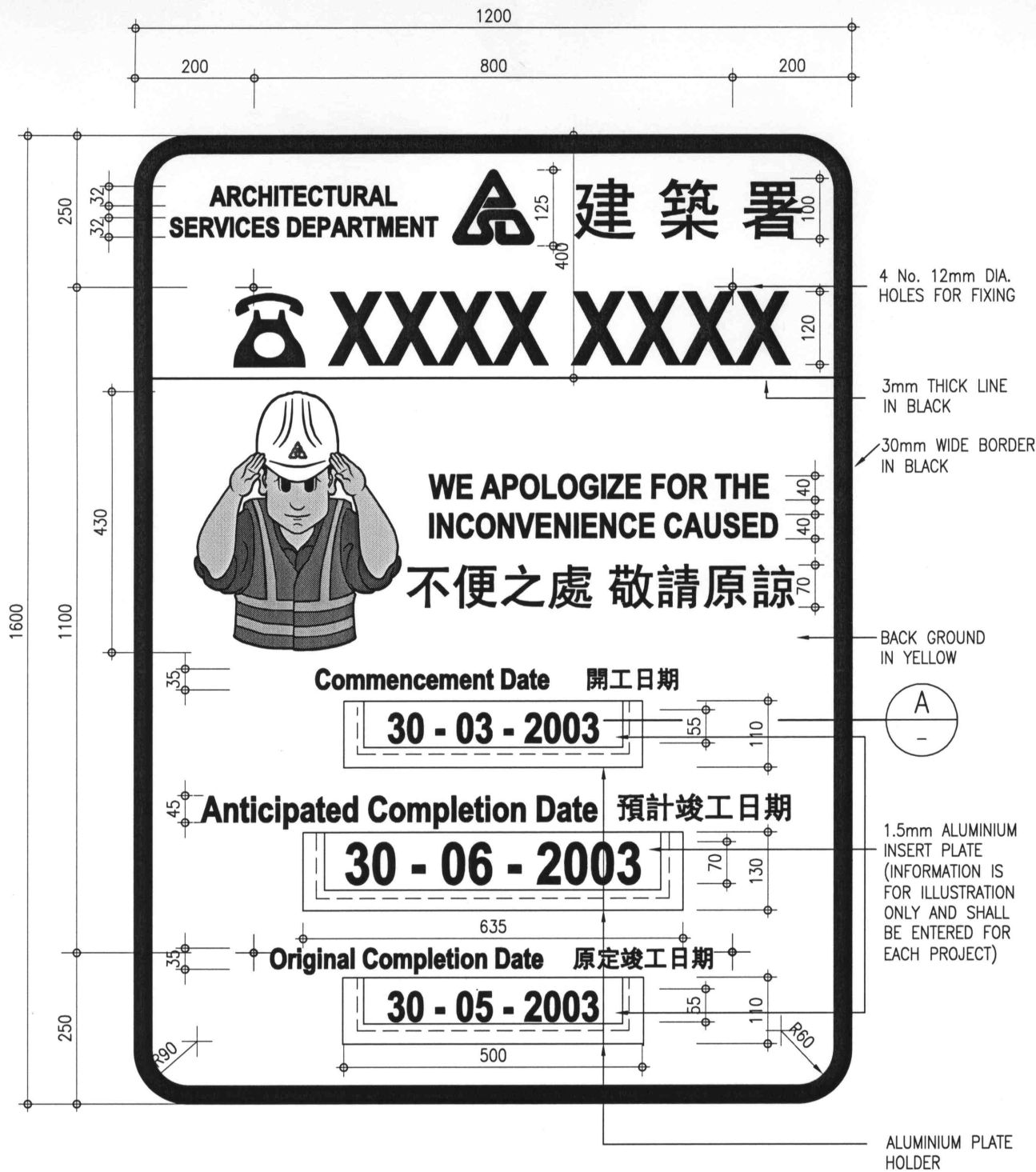


DETAIL 'A' 1 : 2

NOTE:
 1. SEE NOTES ON DRG No. 7122_01.
 2. ENQUIRY CALL NO. XXXX XXXX SEE DRG. No. 7122_01

CHECKED CSE/2 L.F. WONG	DATE 5/3/2010	APPROVED AD(PS) S.W. FONG	DATE - 9 MAR 2010
ARCHITECTURAL BRANCH ARCH. SERVICES DEPT.	title DISPLAY BOARD FOR MOTORISTS EXPLAINING REASONS FOR APPARENTLY UNATTENDED ROAD WORKS	scale 1 : 10 1 : 2	drawing no. 7122_05 (03/10)

CAD Ref. - 7122_05.dwg--1:10

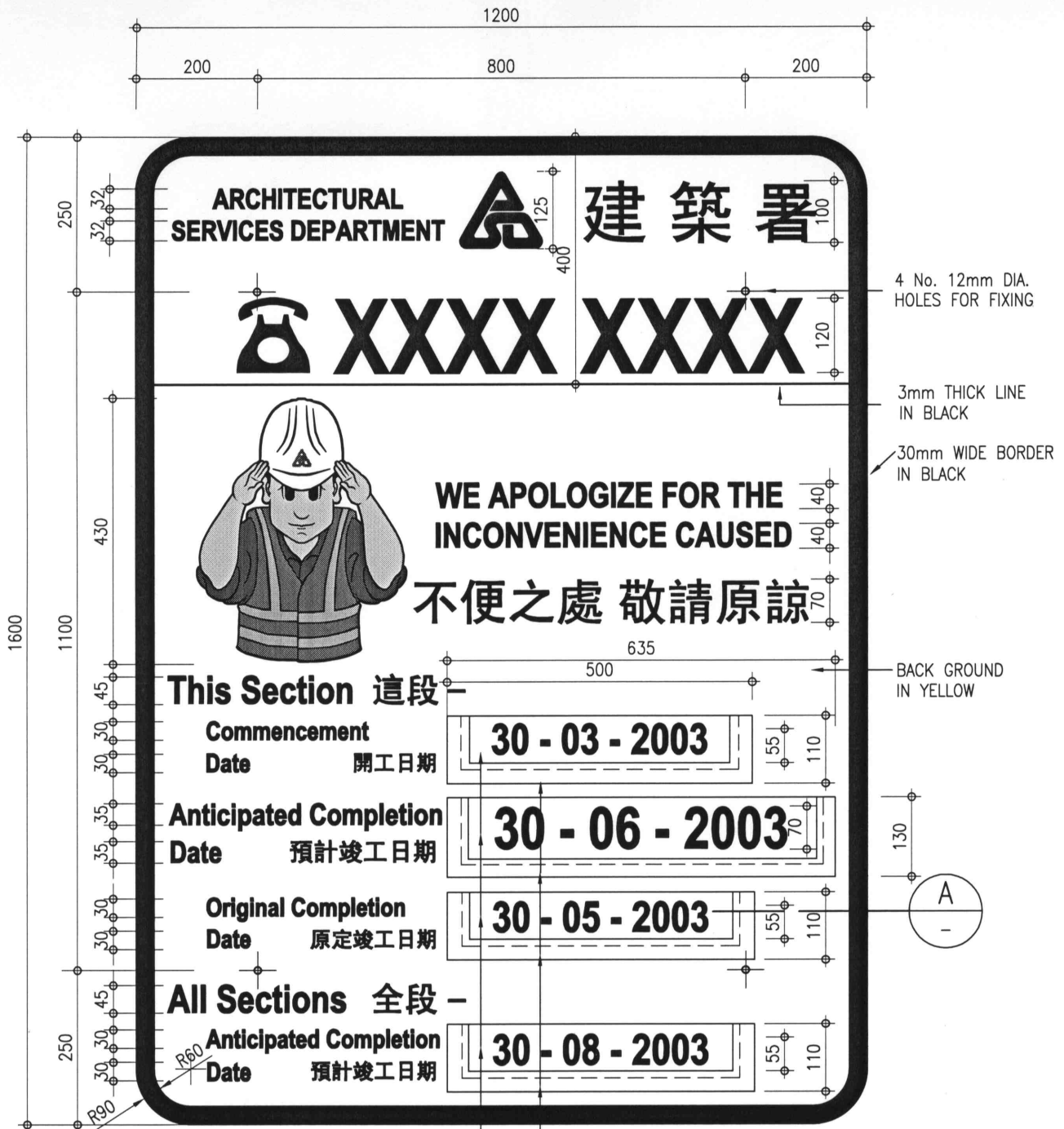


DETAIL AT A
1 : 2

NOTE:
1. SEE NOTES ON DRG No. 7122_01.
2. ENQUIRY CALL NO. XXXX XXXX SEE DRG. No. 7122_01

CHECKED CSE/2 L.F. WONG	<i>L.F. Wong</i>	DATE 5/3/2010	APPROVED AD(PS) S.W. FONG	<i>S.W. Fong</i>	DATE - 9 MAR 2010
ARCHITECTURAL BRANCH ARCH. SERVICES DEPT.		title PUBLICITY BOARD FOR MOTORISTS (TYPE 'A')			scale 1 : 10 1 : 2
					drawing no. 7122_06 (03/10)

CAD Ref. - 7122_06.dwg--1:10



4 No. 12mm DIA. HOLES FOR FIXING

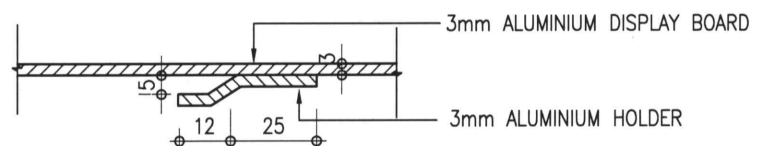
3mm THICK LINE IN BLACK

30mm WIDE BORDER IN BLACK

BACK GROUND IN YELLOW

ALUMINIUM PLATE HOLDER

1.5mm ALUMINIUM INSERT PLATE
(INFORMATION IS FOR ILLUSTRATION ONLY AND SHALL APPROPRIATELY BE ENTERED FOR EACH PROJECT)

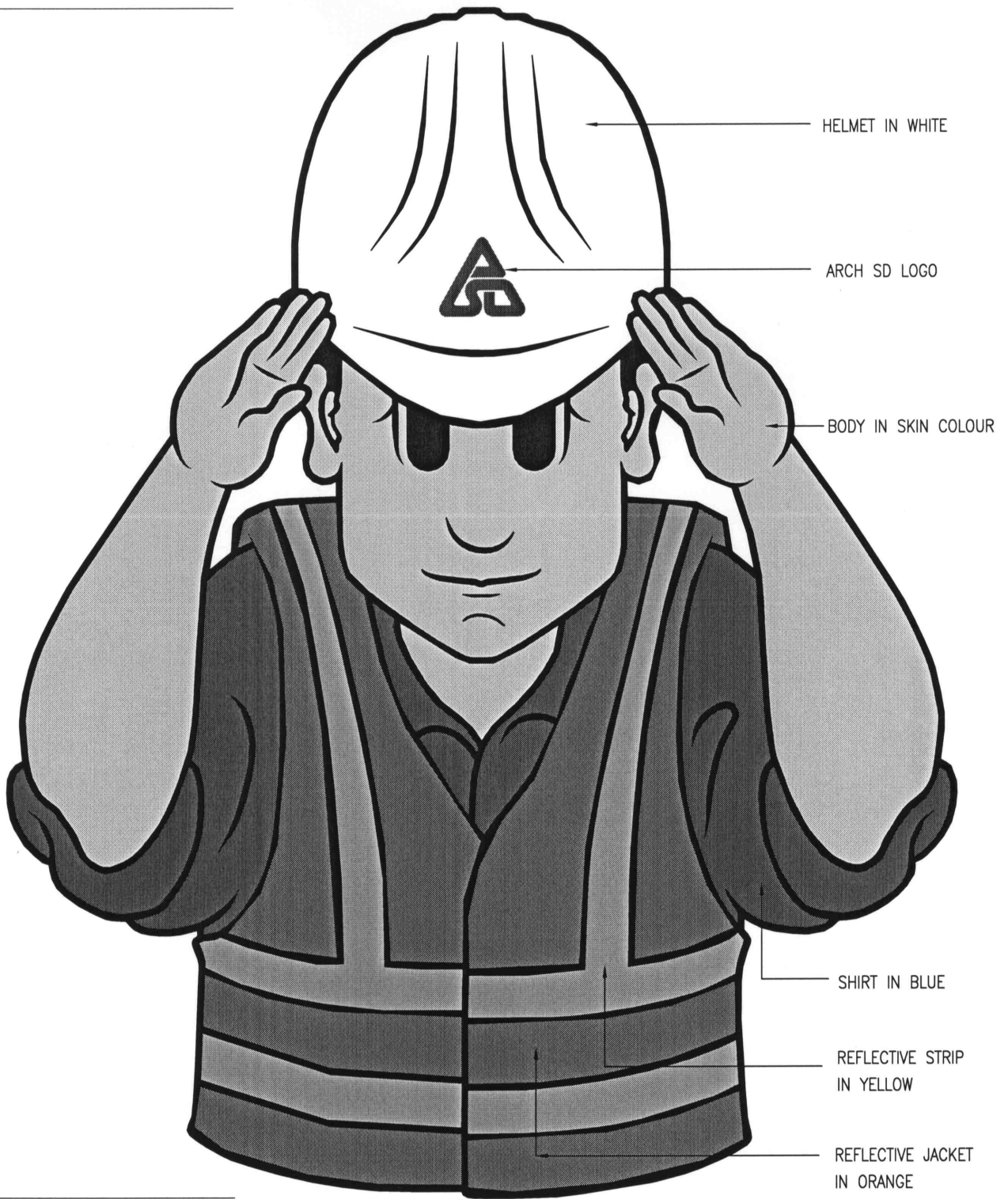


DETAIL 'A' 1 : 2

NOTE:
1. SEE NOTES ON DRG No. 7122_01.
2. ENQUIRY CALL NO. XXXX XXXX SEE DRG. No. 7122_01

CHECKED CSE/2 L.F. WONG	DATE 5/3/2010	APPROVED AD(PS) S.W. FONG	DATE - 9 MAR 2010
ARCHITECTURAL BRANCH ARCH. SERVICES DEPT.	title PUBLICITY BOARD FOR MOTORISTS (TYPE 'B')	scale 1 : 10 1 : 2	drawing no. 7122_07 (03/10)

HEIGHT OF CARTOON FIGURE



NOTE:
SEE NOTES ON DWG No. 7122_01.

CHECKED
CSE/2 L.F. WONG

L.F. Wong

DATE
5/3/2010

APPROVED
AD(PS) S.W. FONG

S.W. Fong

DATE
- 9 MAR 2010

ARCHITECTURAL BRANCH
ARCH. SERVICES DEPT.

title
DETAILS OF CARTOON FIGURE

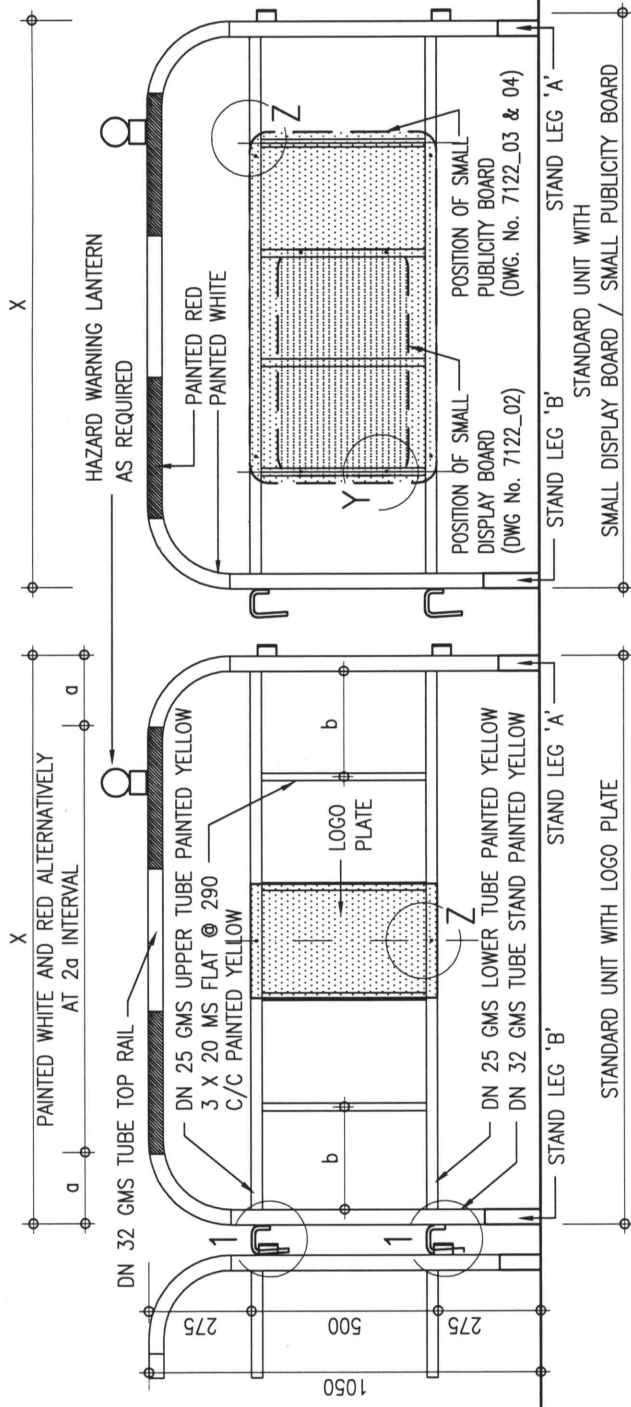
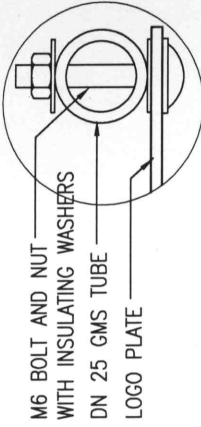
scale
N/A

drawing no.
7122_08 (03/10)

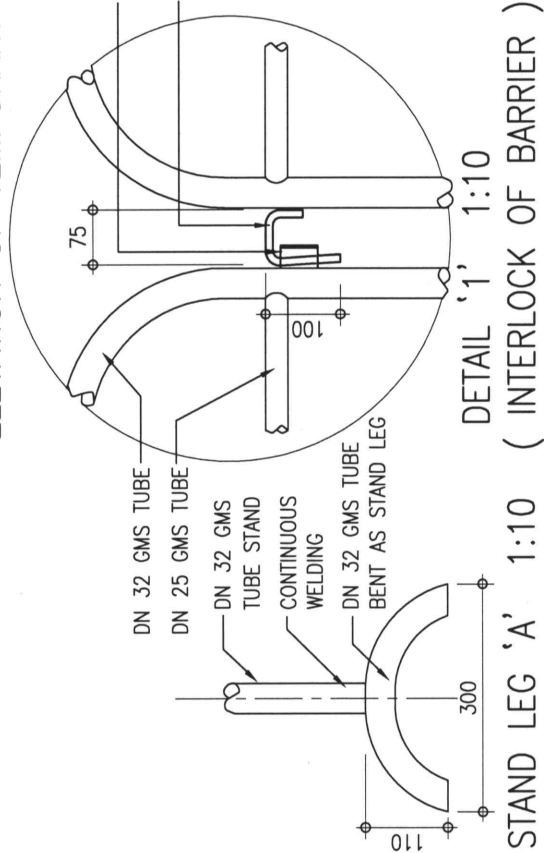
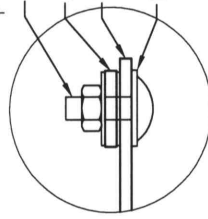
CAD Ref. -- 7122_08.dwg--1:1

SCHEDULE FOR TEMPORARY BARRIER

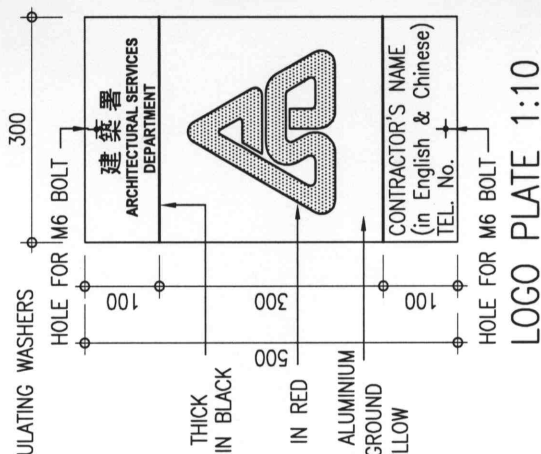
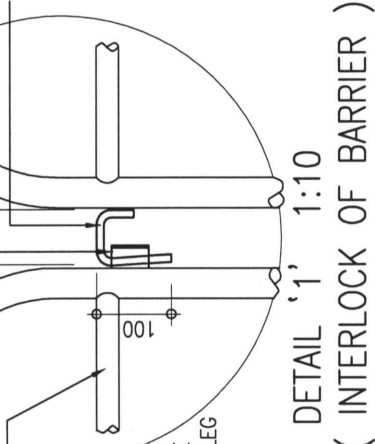
TYPE (1)	X	a	b
	1500	187.5	283
TYPE (2)	X	a	b
	2000	166.7	243
TYPE (3)	X	a	b
	2600	175.0	253
TYPE (4)	X	a	b
	3200	160.0	263



ELEVATION OF TEMPORARY BARRIER 1:20



DETAIL Y 1:2



NOTE:
1. SEE NOTES ON DWG. No. 7122_01.
2. THE GMS BARRIERS ARE NOT APPLICABLE FOR PEDESTRIAN BARRIERS PLACED ON CARRIAGEWAYS ADJACENT TO RUNNING TRAFFIC LANES WHICH SHOULD BE OF THE PLASTIC TYPE.

CHECKED
CSE/2 L.F. WONG

L.F. Wong

DATE
5/3/2010

APPROVED
AD(PS) S.W. FONG

S.W. Fong

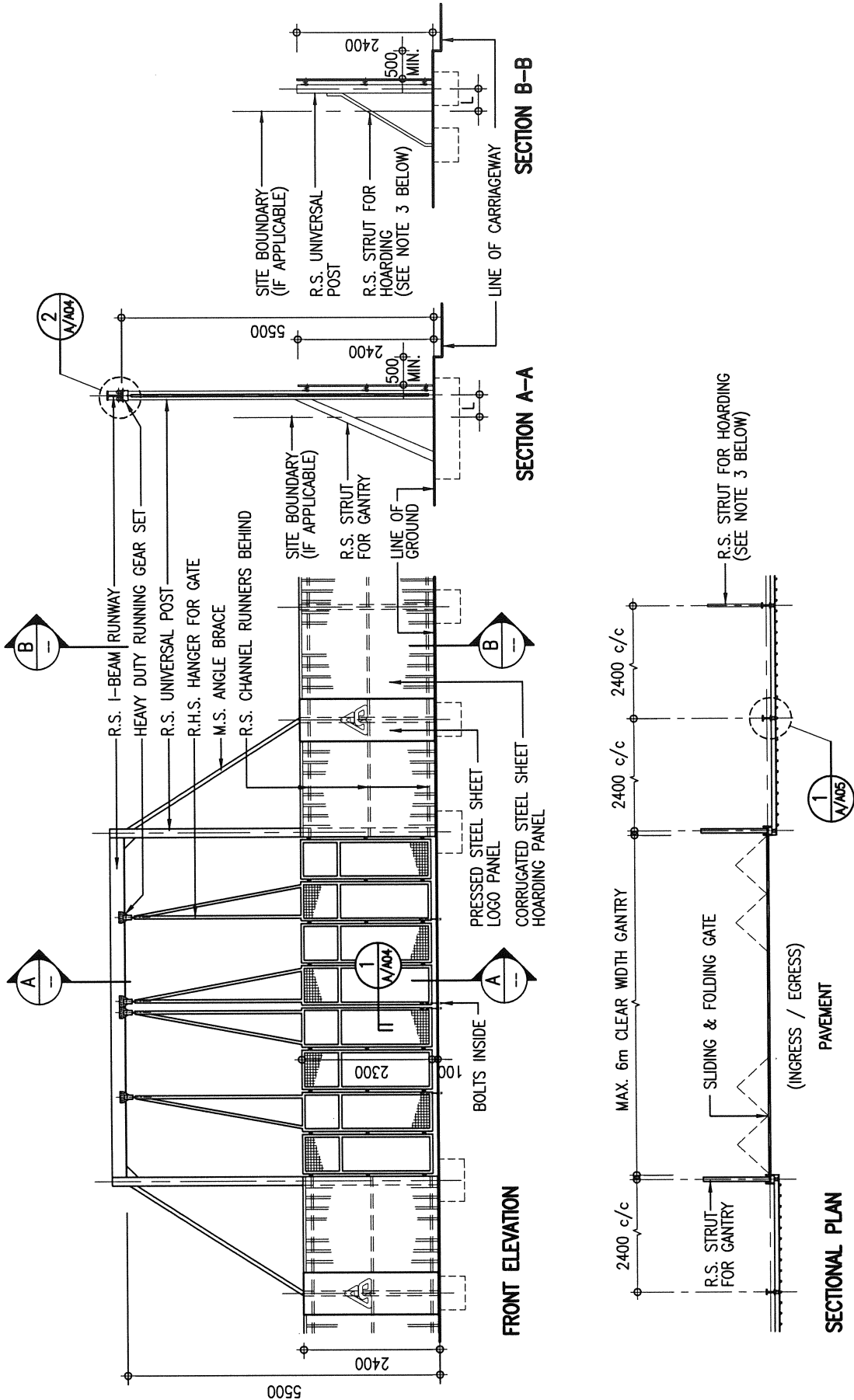
DATE
-9 MAR 2010

ARCHITECTURAL BRANCH
ARCH. SERVICES DEPT.


title
GMS TYPE TEMPORARY BARRIER
(NOT APPLICABLE ON CARRIAGEWAYS)

scale
1 : 20
1 : 10
1 : 2

drawing no.
7122_09 (03/10)




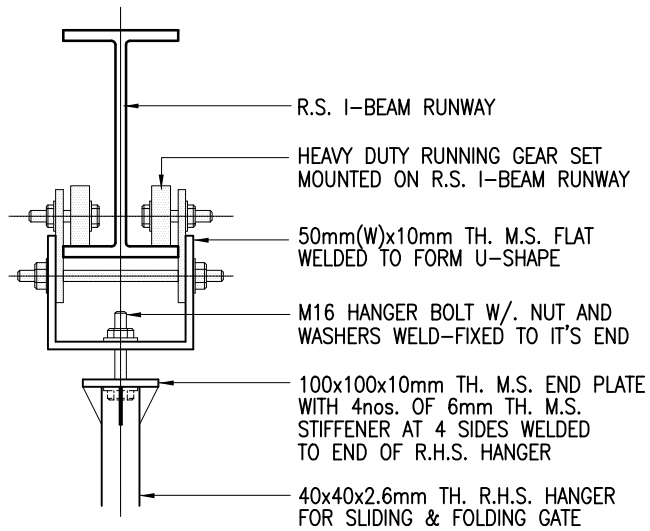
- NOTES:**
1. THIS DRAWING SHOULD BE READ IN CONJUNCTION WITH STRUCTURAL DRAWINGS NO. 9711/A/S01 TO S04.
 2. REFER PINAP APP-21 & APP-23 OF BUILDINGS DEPARTMENT FOR THE PERMITTED WORKING SPACE (L). (500mm MAX. FOR DEMOLITION WORKS OR 300mm MAX. FOR OTHER WORKS)
 3. THE R.S. STRUT PROVIDED AT ALTERNATE BAYS OF HOARDING COULD BE OMITTED IF THE CONC. FOOTING OF R.S. UNIVERSAL POSTS ARE BUILT WITHOUT LIMITED DEPTH OF EXCAVATION. (SEE STRUCTURAL DRAWINGS FOR DETAILS)

 ARCHITECTURAL SERVICES DEPARTMENT	Title TYPE A HOARDING - CORRUGATED STEEL FENCE GENERAL PLANS	Scale 1 : 100	Drawing No. 9711/A/A01
	Checked by CA/ASC W.H. LEE <i>[Signature]</i>	Date 11.4.2018	Approved by AD(PS) C.K. HUI <i>[Signature]</i>

**GENERAL NOTES FOR CONSTRUCTION OF
HOARDINGS, COVERED WALKWAYS, AND ASSOCIATED GANTRIES AND CATCH PLATFORMS:**

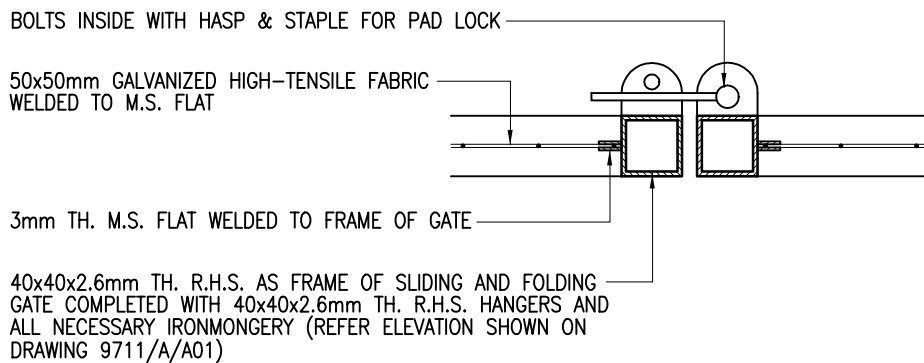
1. THE ARCHITECTURAL HOARDING DRAWINGS SHOULD BE READ IN CONJUNCTION WITH THE APPROPRIATE STRUCTURAL HOARDING DRAWINGS AS REFERRED ON THE DRAWINGS.
2. IN DETERMINING THE TYPE OF HOARDING/COVERED WALKWAY CONSTRUCTION AND THE ASSOCIATED PROVISIONS TO SUIT THE PURPOSE, REFERENCE AND PROVISIONS SHOULD ALWAYS BE MADE TO MEET THE REQUIREMENTS OF THE CURRENTLY ENFORCED "CODE OF PRACTICE FOR DEMOLITION OF BUILDINGS" AND RELEVANT PNAPS ISSUED BY BUILDINGS DEPARTMENT.
3. A MINIMUM CLEAR WIDTH OF 1.1m AND RAISED FLOOR SHOULD BE PROVIDED FOR HOARDING/COVERED WALKWAY LOCATED ON CARRIAGEWAY. FOR HOARDING/COVERED WALKWAY LOCATED ON FOOTPATH, THE CLEAR WIDTH SHOULD BE RELATED TO THE EXISTING PAVEMENT WIDTH AND BE PROVIDED ACCORDING TO THOSE AS PROMULGATED IN PNAP APP-23 ISSUED BY THE BUILDINGS DEPARTMENT.
4. A TEMPORARY LIGHTING SYSTEM AS PROMULGATED IN PNAP APP-23 SHOULD BE PROVIDED FOR ALL COVERED WALKWAYS OF BUILDING SITES.
5. ALL METALWORK REFERRED IN THE DRAWINGS SHOULD COMPLY WITH SECTION 17 OF THE GENERAL SPECIFICATION FOR BUILDING 2017 EDITION OR THEREAFTER.
6. ALL CORRUGATED STEEL SHEET PANELS, CAPPINGS AND TOE SHEETS SHOULD BE OF GALVANIZED STEEL WITH MINIMUM ZINC COATING CONTENT 350g/m² WITH TRIPLE-SPOT TEST, AND BE FINISHED ON BOTH SURFACES WITH SYNTHETIC PAINT OF ALKYD RESIN BASE IN ACCORDANCE WITH SECTION 21 OF THE GENERAL SPECIFICATION FOR BUILDING 2017 EDITION PUBLISHED BY THE ARCHITECTURAL SERVICES DEPARTMENT OR THEREAFTER.
7. ALL EXPOSED SURFACES OF METALWORK SHOULD BE PAINTED IN MID-GREY COLOUR (BS5252: 10 A 07) UNLESS STATED OTHERWISE.
8. ArchSD LOGO SHOULD BE PAINTED AT A 3-BAY INTERVAL. IF THERE ARE OTHER LOGOS TO BE DISPLAYED, THE SPECIFIED LOGO AND THE ArchSD LOGO SHOULD BE PAINTED ALTERNATIVELY AT A 3-BAY INTERVAL.

 ARCHITECTURAL SERVICES DEPARTMENT	Title TYPE A HOARDING - CORRUGATED STEEL FENCE GENERAL NOTES	Scale NIL	Drawing No. 9711/A/A02
	Checked by CA/ASC W.H. LEE <i>[Signature]</i>	Date 11.4.2018	Approved by AD(PS) C.K. HUI <i>[Signature]</i>



2 **DETAILS OF RUNNING GEAR** †
A/A04 1 : 10

† THIS FIXING DETAIL IS FOR REFERENCE ONLY, SAMPLE OF RUNNING GEAR SET AND FIXING METHOD SHOULD BE SUBMITTED FOR APPROVAL BEFORE ORDERING.



1 **DETAILS OF SLIDING AND FOLDING GATE**
A/A04 1 : 5



ARCHITECTURAL
SERVICES
DEPARTMENT

Title
**TYPE A HOARDING - CORRUGATED STEEL FENCE
CONSTRUCTION DETAILS 2**

Scale
1 : 5

Drawing No.
9711/A/A04

Checked by
CPM303 C.F. HO

Date
18 Sept. 2007

Approved by
AD(PS) K.K. LEUNG

Date
19 Sept. 2007

0.75mm TH. G.S. SHEET CONTINUOUS CAPPING

70x70x6x50mm LONG M.S. ANGLE CLEAT WITH 8x25mm LONG HORIZONTAL SLOT FOR BOLT & NUT FIXING WELDED TO R.S. UNIVERSAL POST

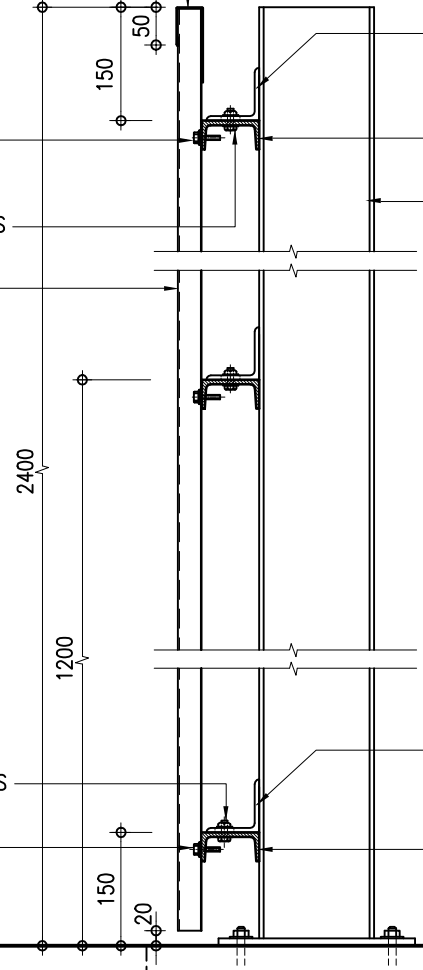
6mm ϕ S.S. SELF-TAPPING SCREW WITH 2mm TH. NEOPRENE WASHER

76x38mmx6.7kg/m R.S. CHANNEL RUNNER

8mm ϕ G.S. BOLT WITH NUT & WASHERS

R.S. UNIVERSAL POST WELDED TO 10mm TH. M.S. BASE PLATE

0.5mm TH. CORRUGATED STEEL SHEET HOARDING PANEL



8mm ϕ G.S. BOLT WITH NUT & WASHERS

70x70x6x50mm LONG M.S. ANGLE CLEAT WITH 8x25mm LONG HORIZONTAL SLOT FOR BOLT & NUT FIXING WELDED TO R.S. UNIVERSAL POST

6mm ϕ S.S. SELF-TAPPING SCREW WITH 2mm TH. NEOPRENE WASHER

76x38mmx6.7kg/m R.S. CHANNEL RUNNER

PAVEMENT

LINE OF GROUND

CONC. FOOTING BELOW GROUND (SEE STRUCTURAL DRAWINGS FOR DETAILS)

2 DETAIL
A/A05 1 : 10

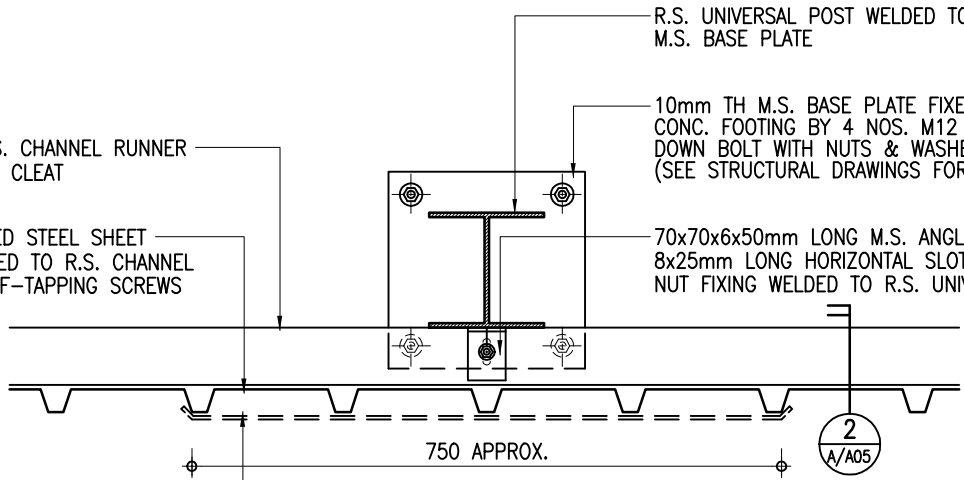
R.S. UNIVERSAL POST WELDED TO 10mm TH. M.S. BASE PLATE

76x38mmx6.7kg/m R.S. CHANNEL RUNNER BOLTED TO M.S. ANGLE CLEAT

10mm TH M.S. BASE PLATE FIXED ON CONC. FOOTING BY 4 NOS. M12 HOLDING DOWN BOLT WITH NUTS & WASHERS (SEE STRUCTURAL DRAWINGS FOR DETAILS)

0.5mm TH. CORRUGATED STEEL SHEET HOARDING PANEL BOLTED TO R.S. CHANNEL RUNNER WITH S.S. SELF-TAPPING SCREWS

70x70x6x50mm LONG M.S. ANGLE CLEAT WITH 8x25mm LONG HORIZONTAL SLOT FOR BOLT & NUT FIXING WELDED TO R.S. UNIVERSAL POST

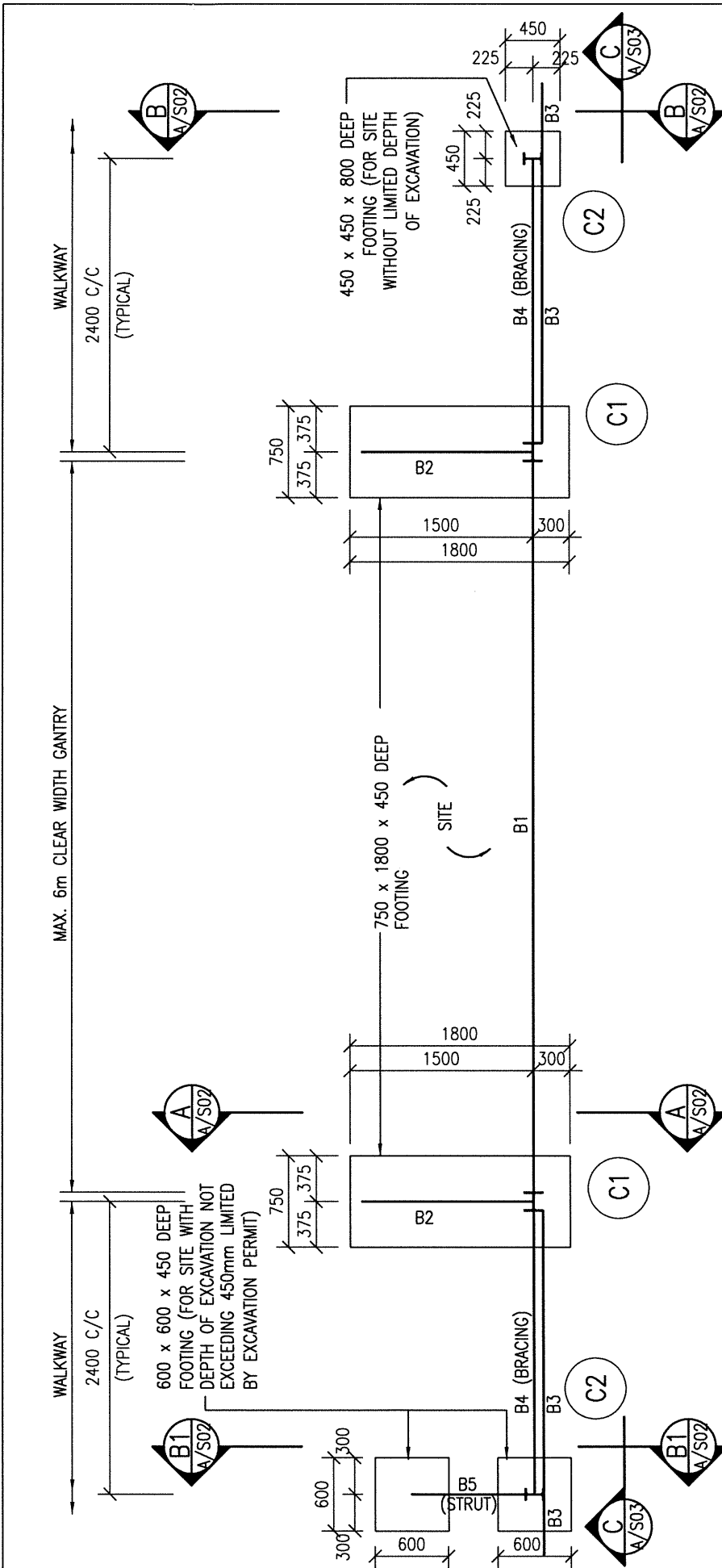


0.5mm TH. PRESSED STEEL SHEET LOGO PANEL FIXED AT EVERY 3 BAYS INTERVAL WITH S.S. SELF-TAPPING SCREWS

1 DETAIL
A/A05 1 : 10



Title TYPE A HOARDING - CORRUGATED STEEL FENCE CONSTRUCTION DETAILS 3		Scale 1 : 10	Drawing No. 9711/A/A05
Checked by CPM303 C.F. HO <i>RJ</i>	Date 18 Sept. 2007	Approved by AD(PS) K.K. LEUNG <i>ML</i>	Date 19 Sept. 2007



FOUNDATION PLAN OF GANTRY

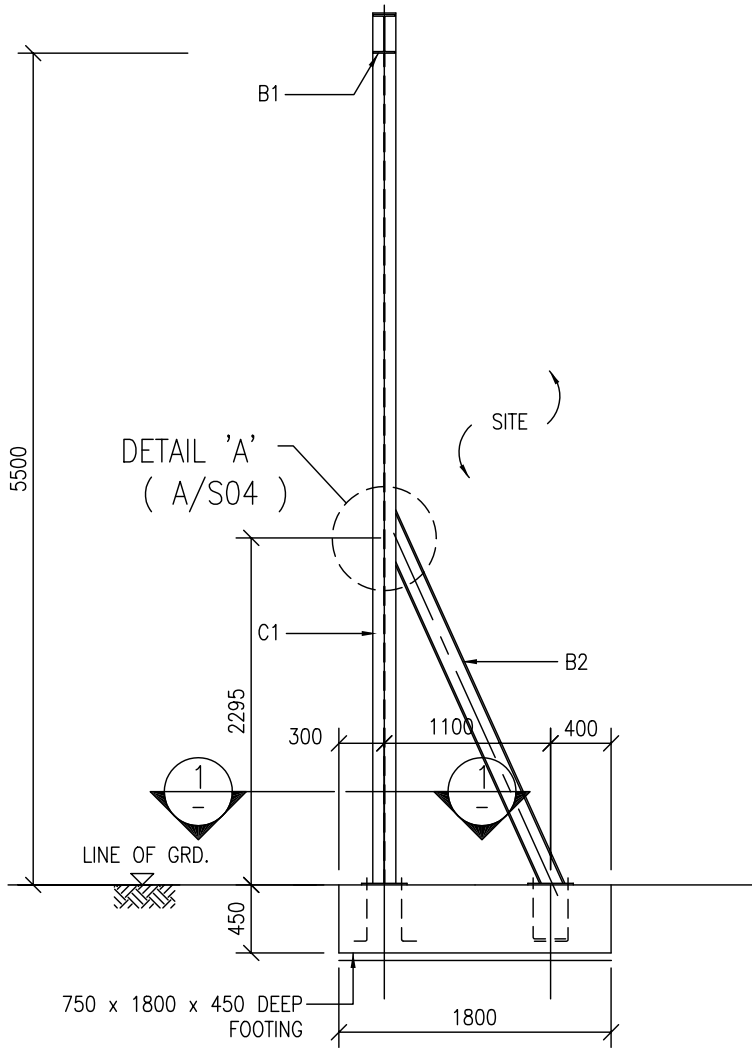
- NOTES :
1. ALL WELDING TO BE 6mm F.W. ALL ROUND IN ACCORDANCE WITH BS EN 1011-1 UNLESS OTHERWISE STATED.
 2. ALL BOLTS TO BE GRADE 4.6 BLACK BOLTS TO BS 4190.
 3. ALL STRUCTURAL SECTIONS SHALL BE WELDABLE STRUCTURAL STEEL OF GRADE S275 UNLESS OTHERWISE SPECIFIED.
 4. THE DETAILS OF GANTRY MAY BE MODIFIED BY PROJECT OFFICER TO SUIT ACTUAL SITE CONDITIONS.
 5. ALL STEEL WORKS SHALL BE MANUALLY CLEANED TO GS CL. 15.61 (i), PRIMED WITH ONE COAT OF OIL BASED ZINC PHOSPHATE PRIMER AND FINISHED WITH TWO FINISHING COATS OF SYNTHETIC PAINT OF ALKYD RESIN BASE.

STEEL MEMBER SCHEDULE

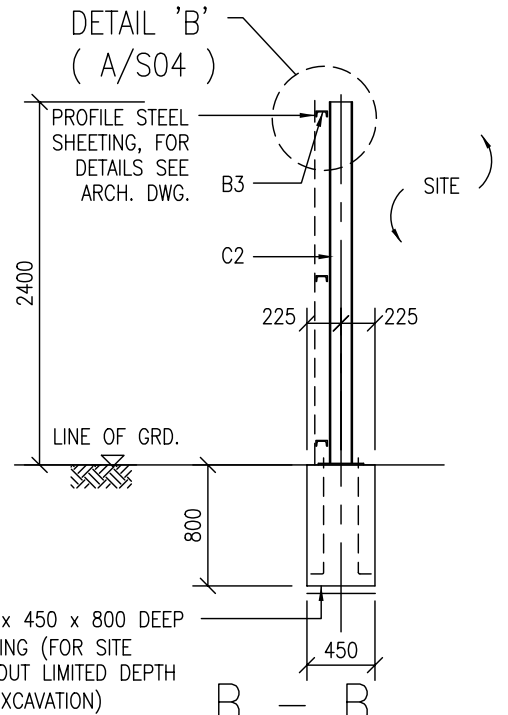
MEMBER MARK	MEMBER SIZE
C1	152 x 152 x 23 UC
C2	152 x 89 x 16 UB
B1	254 x 146 x 37 UB
B2	152 x 76 x 17.88 CHANNEL
B3	76 x 38 x 6.7 CHANNEL
B4	70 x 70 x 6 ANGLE
B5	50 x 50 x 5 ANGLE

THE SKETCHES ARE PREPARED TO MEET THE GENERAL REQUIREMENTS AS SPECIFIED IN PNAP APP-102 ISSUED BY BD. SIZES OF FOOTINGS MAY BE MODIFIED BY PSE TO SUIT ACTUAL SITE CONDITIONS.

<p style="font-size: small;">ARCHITECTURAL SERVICES DEPARTMENT</p>	<p>Title TYPE A HOARDING - CORRUGATED STEEL FENCE STRUCTURAL DETAILS 1</p>	<p>Scale 1 : 50</p>	<p>Drawing No. 9711/A/S01 <small>(REV. B)</small></p>
	<p>Checked by CSE/1 M.K. WONG</p>	<p>Date 24 FEB 2020</p>	<p>Approved by AD(SE) K.L. TSE</p>



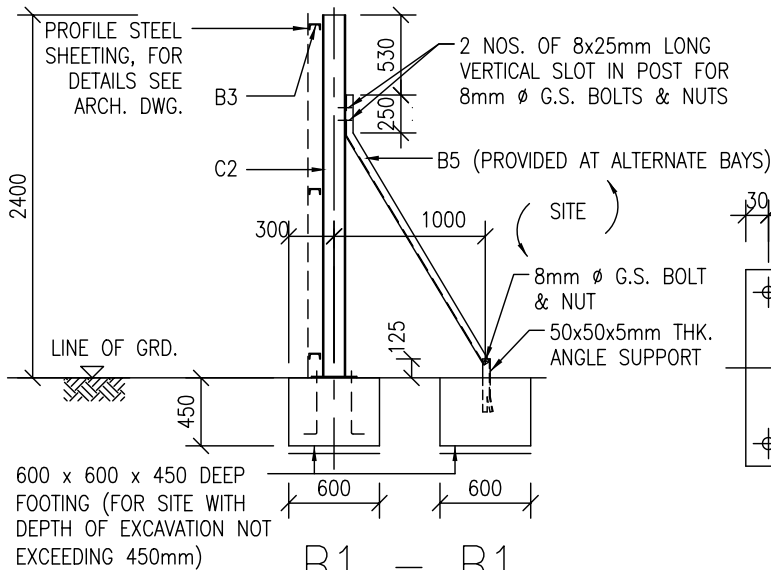
A - A
(GANTRY FRAME)



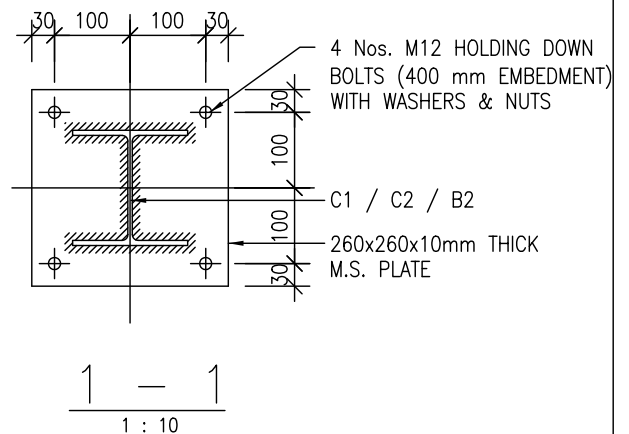
B - B
(TYP. FOR C2 WITHOUT INCLUDED STRUT)

NOTES :-

1. ALL FOOTINGS TO BE GRADE 20/20 MASS CONCRETE.



B1 - B1
(TYP. FOR C2 WITH INCLUDED STRUT)



ARCHITECTURAL
SERVICES
DEPARTMENT

Title
**TYPE A HOARDING - CORRUGATED STEEL FENCE
STRUCTURAL DETAILS 2**

Scale
1 : 50
1 : 10

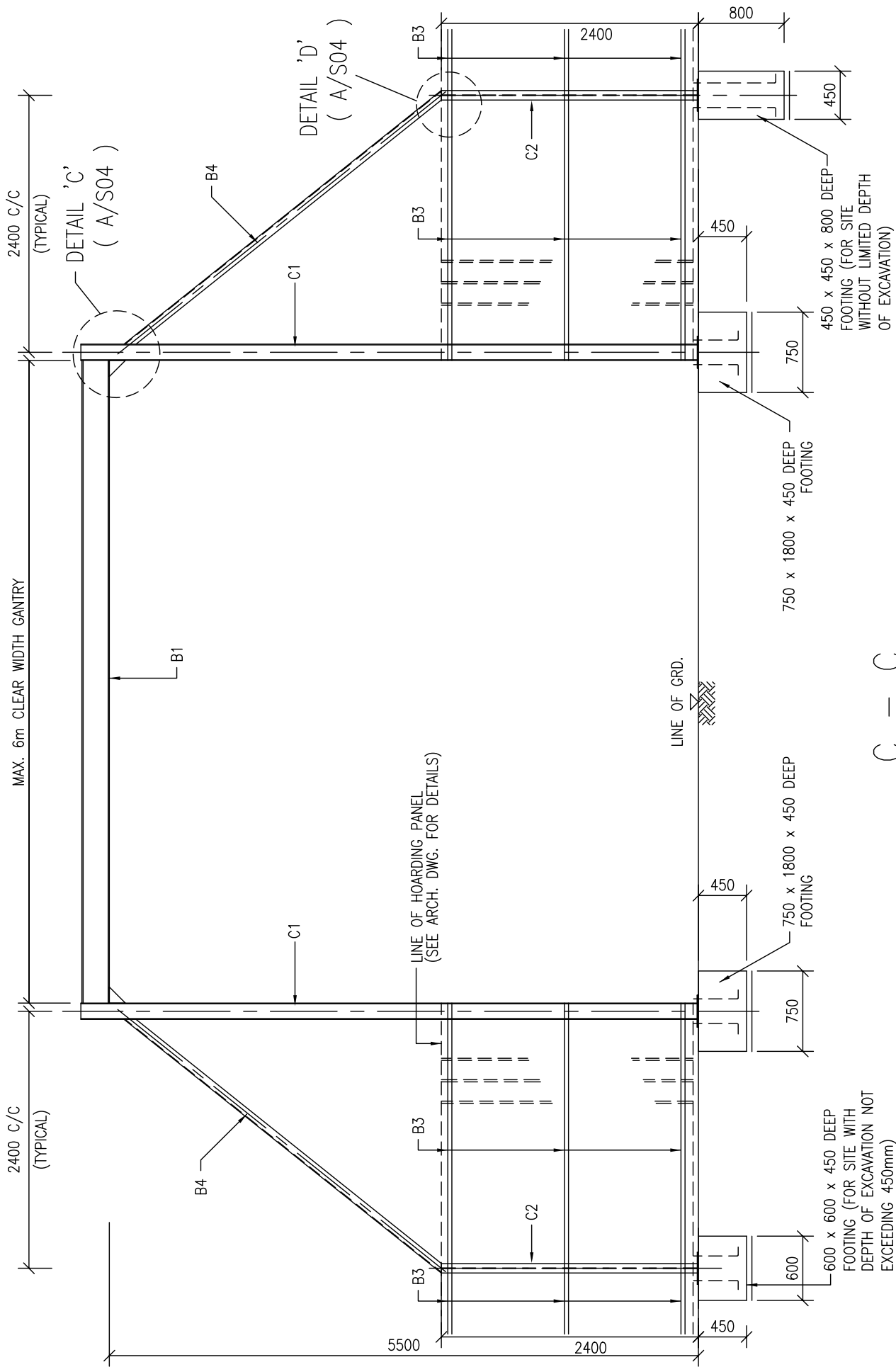
Drawing No.
9711/A/S02

Checked by
CSE/1 C.T. WONG *Ashwin*

Date
11 Oct. 2007


Approved by
AD(SE) W.W. LI *W.W. Li*

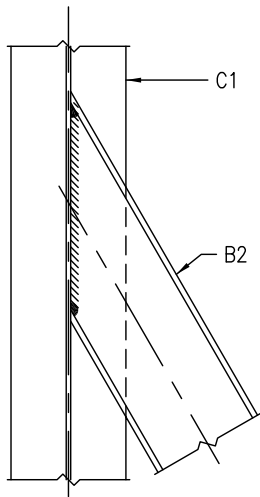
Date
11 Oct. 2007



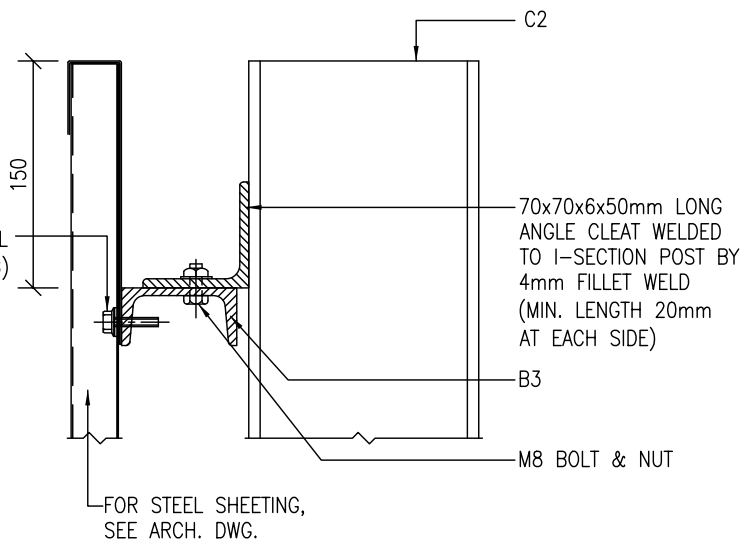
NOTES :-
 1. ALL FOOTINGS TO BE GRADE 20/20 MASS CONCRETE.

C - - C

 ARCHITECTURAL SERVICES DEPARTMENT	Title TYPE A HOARDING - CORRUGATED STEEL FENCE STRUCTURAL DETAILS 3		Scale 1 : 50	Drawing No. 9711/A/S03
	Checked by CSE/1 C.T. WONG <i>C.T. Wong</i>	Date 11 Oct. 2007	Approved by AD(SE) W.W. LI <i>W.W. Li</i>	Date 11 Oct. 2007

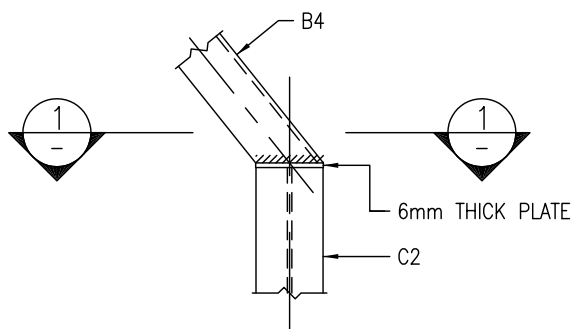
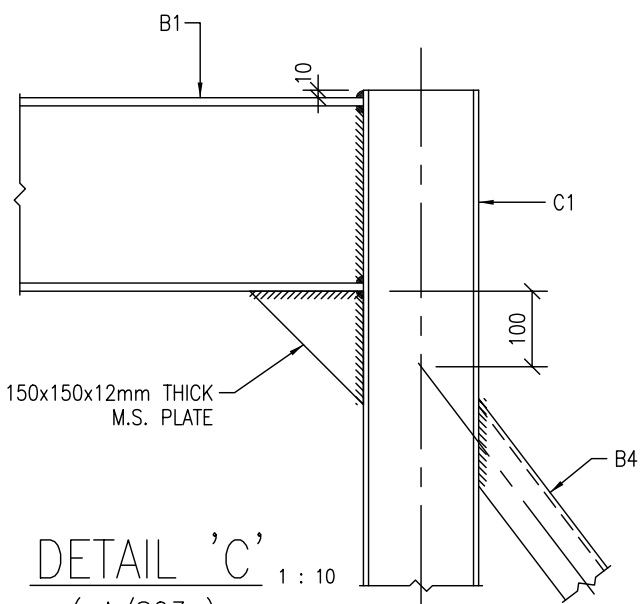


(SEE ARCHITECTURAL
STANDARD DRAWING)

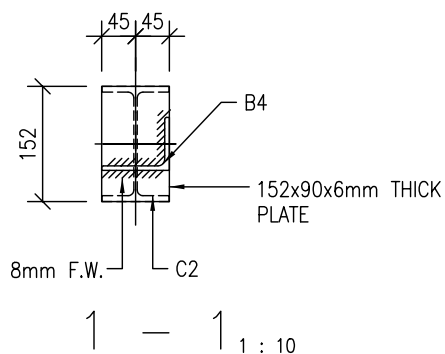


DETAIL 'A' 1 : 10
(FLANGE OF C1 NOT SHOWN FOR CLARITY)
(A/S02)

DETAIL 'B' 1 : 5
(A/S02)



DETAIL 'D' 1 : 10
(B3 NOT SHOWN FOR CLARITY)
(A/S03)



DETAIL 'C' 1 : 10
(A/S03)

1 - 1 1 : 10



ARCHITECTURAL
SERVICES
DEPARTMENT

Title
**TYPE A HOARDING - CORRUGATED STEEL FENCE
STRUCTURAL DETAILS 4**

Scale
1 : 10
1 : 5

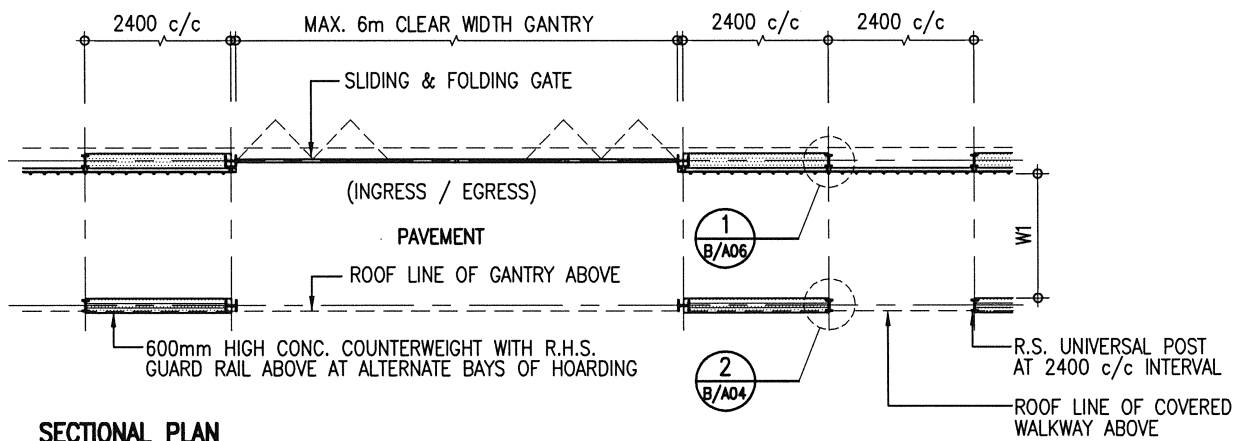
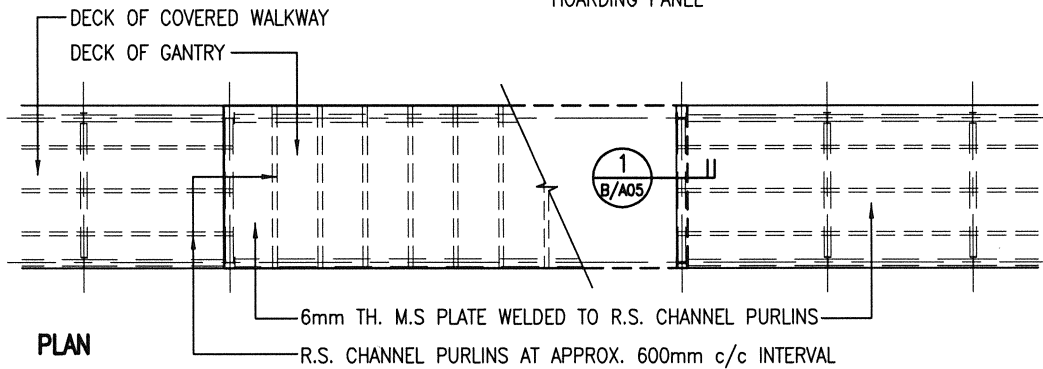
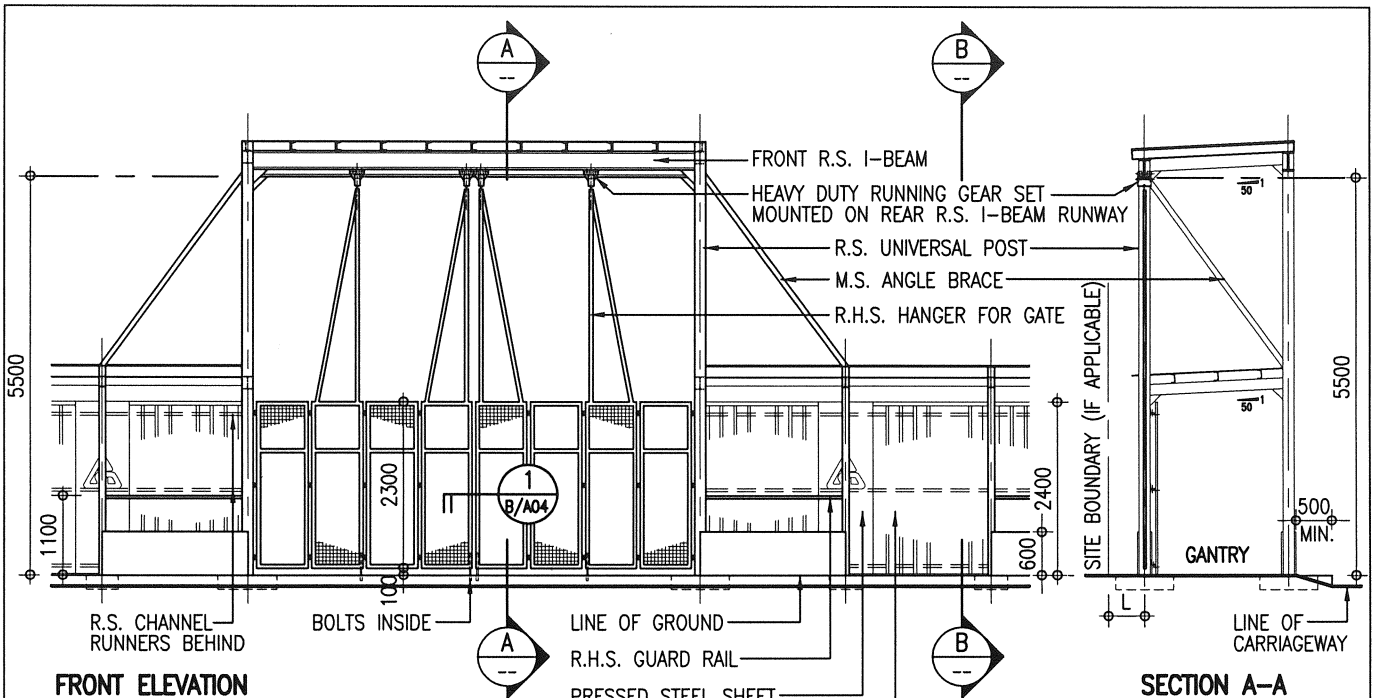
Drawing No.
9711/A/S04

Checked by
CSE/1 C.T. WONG *C.T. Wong*

Date
11 Oct. 2007


Approved by
AD(SE) W.W. LI *W.W. Li*

Date
11 Oct. 2007




NOTES:

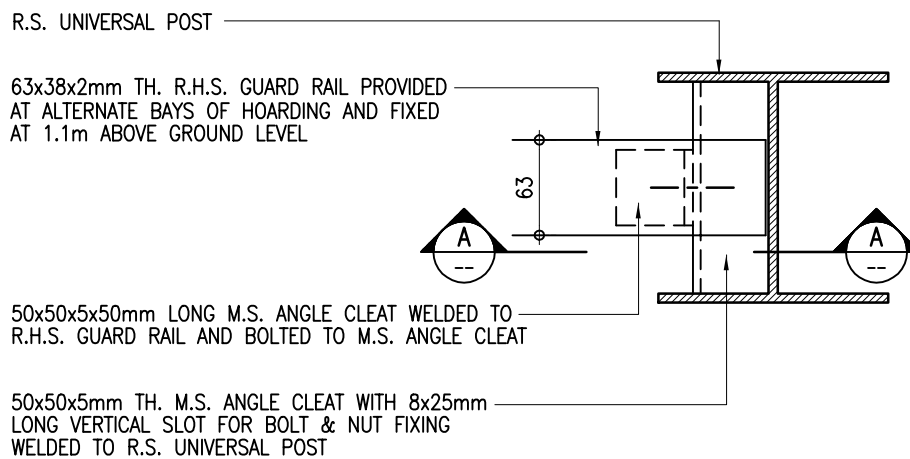
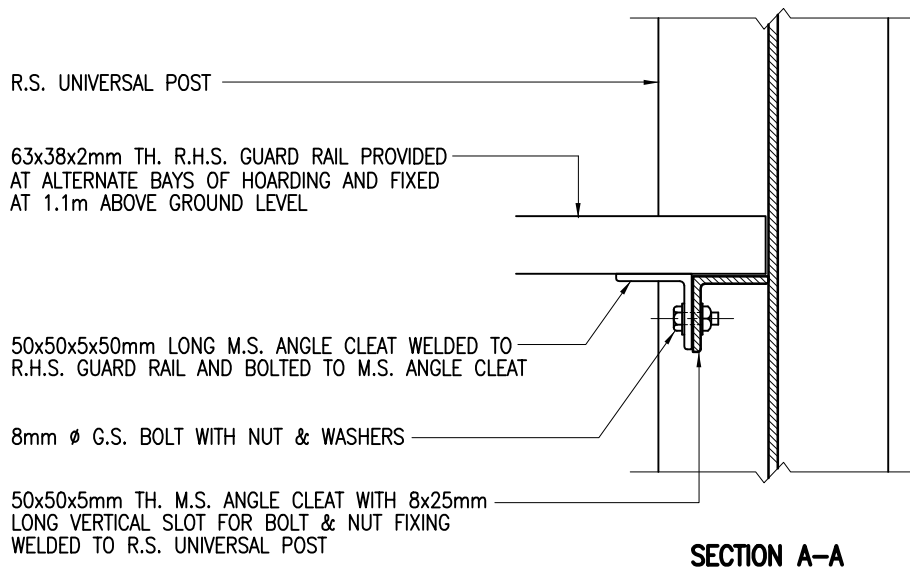
1. THIS DRAWING SHOULD BE READ IN CONJUNCTION WITH STRUCTURAL DRAWINGS NO. 9711/B/S01 TO S05.
2. REFER PT. 3 OF GENERAL NOTES IN DRAWING NO. 9711/B/A02 FOR THE REQUIRED CLEAR WIDTH (W1) OF COVERED WALKWAY.
3. REFER PNAP APP-21 & APP-23 OF BUILDINGS DEPARTMENT FOR THE PERMITTED WORKING SPACE (L). (500mm MAX. FOR DEMOLITION WORKS OR 300mm MAX. FOR OTHER WORKS)

 <p>ARCHITECTURAL SERVICES DEPARTMENT</p>	<p>Title</p> <p>TYPE B HOARDING - COVERED WALKWAY GENERAL PLANS</p>	<p>Scale</p> <p>1 : 100</p>	<p>Drawing No.</p> <p>9711/B/A01</p>
	<p>Checked by</p> <p>CA/ASC W.H. LEE <i>W.H. Lee</i></p>	<p>Date</p> <p>11.4.2018</p>	<p>Approved by</p> <p>AD(PS) C.K. HUI <i>C.K. Hui</i></p>

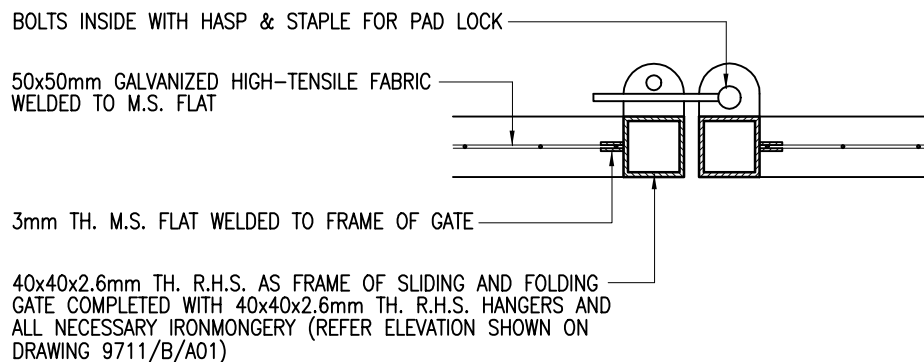
**GENERAL NOTES FOR CONSTRUCTION OF
HOARDINGS, COVERED WALKWAYS, AND ASSOCIATED GANTRIES AND CATCH PLATFORMS:**

1. THE ARCHITECTURAL HOARDING DRAWINGS SHOULD BE READ IN CONJUNCTION WITH THE APPROPRIATE STRUCTURAL HOARDING DRAWINGS AS REFERRED ON THE DRAWINGS.
2. IN DETERMINING THE TYPE OF HOARDING/COVERED WALKWAY CONSTRUCTION AND THE ASSOCIATED PROVISIONS TO SUIT THE PURPOSE, REFERENCE AND PROVISIONS SHOULD ALWAYS BE MADE TO MEET THE REQUIREMENTS OF THE CURRENTLY ENFORCED "CODE OF PRACTICE FOR DEMOLITION OF BUILDINGS" AND RELEVANT PNAPS ISSUED BY BUILDINGS DEPARTMENT.
3. A MINIMUM CLEAR WIDTH OF 1.1m AND RAISED FLOOR SHOULD BE PROVIDED FOR HOARDING/COVERED WALKWAY LOCATED ON CARRIAGEWAY. FOR HOARDING/COVERED WALKWAY LOCATED ON FOOTPATH, THE CLEAR WIDTH SHOULD BE RELATED TO THE EXISTING PAVEMENT WIDTH AND BE PROVIDED ACCORDING TO THOSE AS PROMULGATED IN PNAP APP-23 ISSUED BY THE BUILDINGS DEPARTMENT.
4. A TEMPORARY LIGHTING SYSTEM AS PROMULGATED IN PNAP APP-23 SHOULD BE PROVIDED FOR ALL COVERED WALKWAYS OF BUILDING SITES
5. ALL METALWORK REFERRED IN THE DRAWINGS SHOULD COMPLY WITH SECTION 17 OF THE GENERAL SPECIFICATION FOR BUILDING 2017 EDITION OR THEREAFTER.
6. ALL CORRUGATED STEEL SHEET PANELS, CAPPINGS AND TOE SHEETS SHOULD BE OF GALVANIZED STEEL WITH MINIMUM ZINC COATING CONTENT 350g/m² WITH TRIPLE-SPOT TEST, AND BE FINISHED ON BOTH SURFACES WITH SYNTHETIC PAINT OF ALKYD RESIN BASE IN ACCORDANCE WITH SECTION 21 OF THE GENERAL SPECIFICATION FOR BUILDING 2017 EDITION PUBLISHED BY THE ARCHITECTURAL SERVICES DEPARTMENT OR THEREAFTER.
7. ALL EXPOSED SURFACES OF METALWORK SHOULD BE PAINTED IN MID-GREY COLOUR (BS5252: 10 A 07) UNLESS STATED OTHERWISE.
8. ArchSD LOGO SHOULD BE PAINTED AT A 3-BAY INTERVAL. IF THERE ARE OTHER LOGOS TO BE DISPLAYED, THE SPECIFIED LOGO AND THE ArchSD LOGO SHOULD BE PAINTED ALTERNATIVELY AT A 3-BAY INTERVAL.

 ARCHITECTURAL SERVICES DEPARTMENT	Title TYPE B HOARDING - COVERED WALKWAY GENERAL NOTES		Scale NIL	Drawing No. 9711/B/A02
	Checked by CA/ASC W.H. LEE <i>W.H. Lee</i>	Date 11.4.2018	Approved by AD(PS) C.K. HUI <i>C.K. Hui</i>	Date 12.4.2018



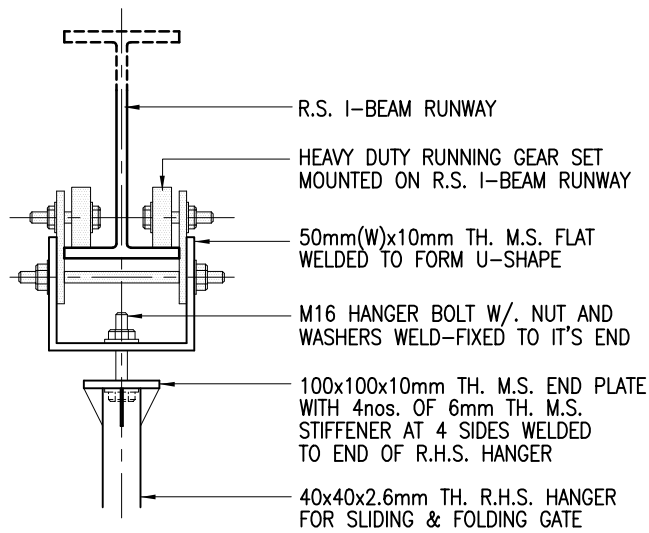
2 **FIXING DETAILS OF R.H.S. GUARD RAIL**
B/A04 1 : 5



1 **DETAILS OF SLIDING AND FOLDING GATE**
B/A04 1 : 5

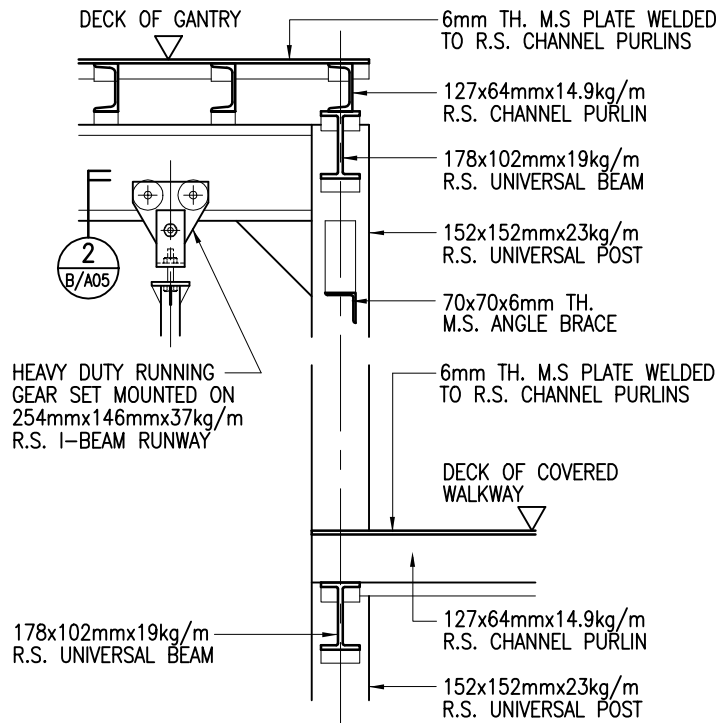


Title	Scale	Drawing No.
TYPE B HOARDING - COVERED WALKWAY CONSTRUCTION DETAILS 2	1 : 5	9711/B/A04
Checked by CPM303 C.F. HO <i>RJ</i>	Date 18 Sept. 2007	Approved by AD(PS) K.K. LEUNG <i>ML</i>
		Date 19 Sept. 2007



2 DETAIL*
B/A05 1 : 10

* THIS FIXING DETAIL IS FOR REFERENCE ONLY, SAMPLE OF RUNNING GEAR SET AND FIXING METHOD SHOULD BE SUBMITTED FOR APPROVAL BEFORE ORDERING.



1 DETAIL
B/A05 1 : 20



Title
TYPE B HOARDING - COVERED WALKWAY CONSTRUCTION DETAILS 3

Scale
as shown

Drawing No.
9711/B/A05

Checked by
CPM303 C.F. HO

Date
18 Sept. 2007

Approved by
AD(PS) K.K. LEUNG

Date
19 Sept. 2007

0.75mm TH. G.S. SHEET CONTINUOUS CAPPING

6mm ϕ S.S. SELF-TAPPING SCREW WITH 2mm TH. NEOPRENE WASHER

8mm ϕ G.S. BOLT WITH NUT & WASHERS

0.5mm TH. CORRUGATED STEEL SHEET HOARDING PANEL

8mm ϕ G.S. BOLT WITH NUT & WASHERS

6mm ϕ S.S. SELF-TAPPING SCREW WITH 2mm TH. NEOPRENE WASHER

PAVEMENT

LINE OF GROUND

70x70x6x50mm LONG M.S. ANGLE CLEAT WITH 8x25mm LONG HORIZONTAL SLOT FOR BOLT & NUT FIXING WELDED TO R.S. UNIVERSAL POST

76x38mmx6.7kg/m R.S. CHANNEL RUNNER

R.S. UNIVERSAL POST WELDED TO 10mm TH. M.S. BASE PLATE

200x600mm HIGH CONC. COUNTERWEIGHT PROVIDED BETWEEN R.S. UNIVERSAL POSTS AT ALTERNATE BAYS OF HOARDING

70x70x6x50mm LONG M.S. ANGLE CLEAT WITH 8x25mm LONG HORIZONTAL SLOT FOR BOLT & NUT FIXING WELDED TO R.S. UNIVERSAL POST

50x50x5mm TH. M.S. ANGLE RUNNER

CONC. FOOTING BELOW GROUND (SEE STRUCTURAL DRAWINGS FOR DETAILS)

2
DETAIL
B/A06 1 : 10

200x600mm HIGH CONC. COUNTERWEIGHT PROVIDED BETWEEN R.S. UNIVERSAL POSTS AT ALTERNATE BAYS OF HOARDING

76x38mmx6.7kg/m R.S. CHANNEL RUNNER BOLTED TO M.S. ANGLE CLEAT

0.5mm TH. CORRUGATED STEEL SHEET HOARDING PANEL BOLTED TO R.S. CHANNEL RUNNER WITH S.S. SELF-TAPPING SCREWS

0.5mm TH. PRESSED STEEL SHEET LOGO PANEL FIXED AT EVERY 3 BAYS INTERVAL WITH S.S. SELF-TAPPING SCREWS

R.S. UNIVERSAL POST WELDED TO 10mm TH. M.S. BASE PLATE

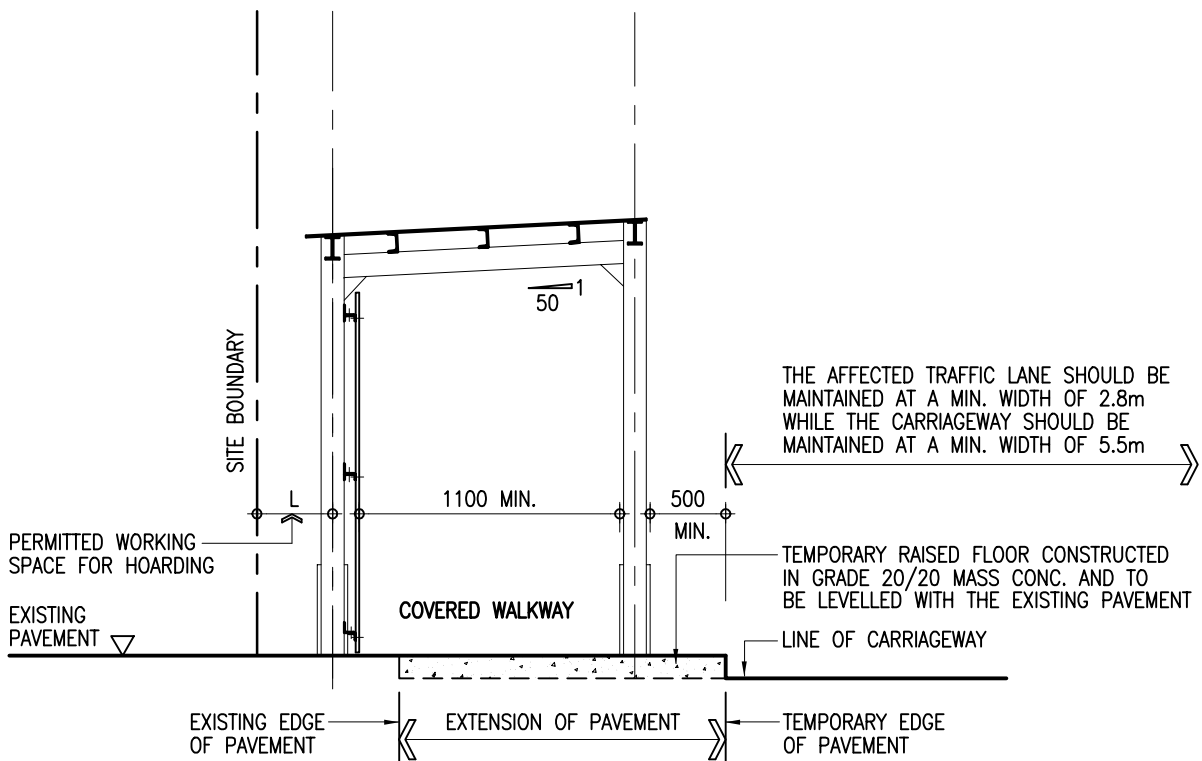
10mm TH M.S. BASE PLATE FIXED ON CONC. FOOTING BY 4 NOS. M12 HOLDING DOWN BOLT WITH NUTS & WASHERS (SEE STRUCTURAL DRAWINGS FOR DETAILS)

70x70x6x50mm LONG M.S. ANGLE CLEAT WITH 8x25mm LONG HORIZONTAL SLOT FOR BOLT & NUT FIXING WELDED TO R.S. UNIVERSAL POST

1
DETAIL
B/A06 1 : 10



Title TYPE B HOARDING - COVERED WALKWAY CONSTRUCTION DETAILS 4		Scale 1 : 10	Drawing No. 9711/B/A06
Checked by CPM303 C.F. HO <i>RJ</i>	Date 18 Sept. 2007	Approved by AD(PS) K.K. LEUNG <i>ML</i>	Date 19 Sept. 2007



TYPICAL DETAILS OF COVERED WALKWAY HOARDING
SITED ON CARRIAGEWAY/NARROW PAVEMENT

1 : 50



ARCHITECTURAL
SERVICES
DEPARTMENT

Title

**TYPE B HOARDING - COVERED WALKWAY
CONSTRUCTION DETAILS 5**

Scale

1 : 50

Drawing No.

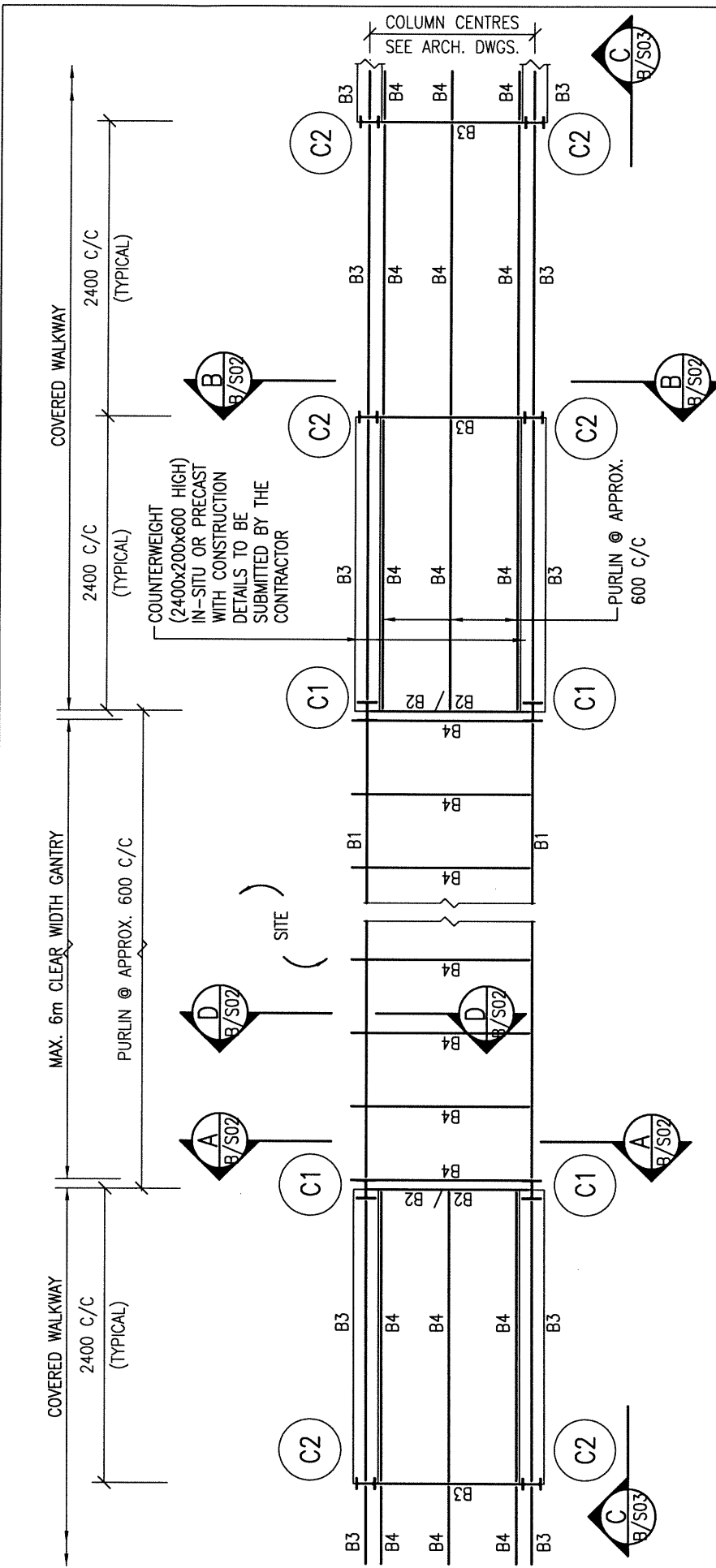
9711/B/A07

Checked by
CPM303 C.F. HO

Date
18 Sept. 2007

Approved by
AD(PS) K.K. LEUNG

Date
19 Sept. 2007



TOP PLAN OF GANTRY AND COVERED WALKWAY

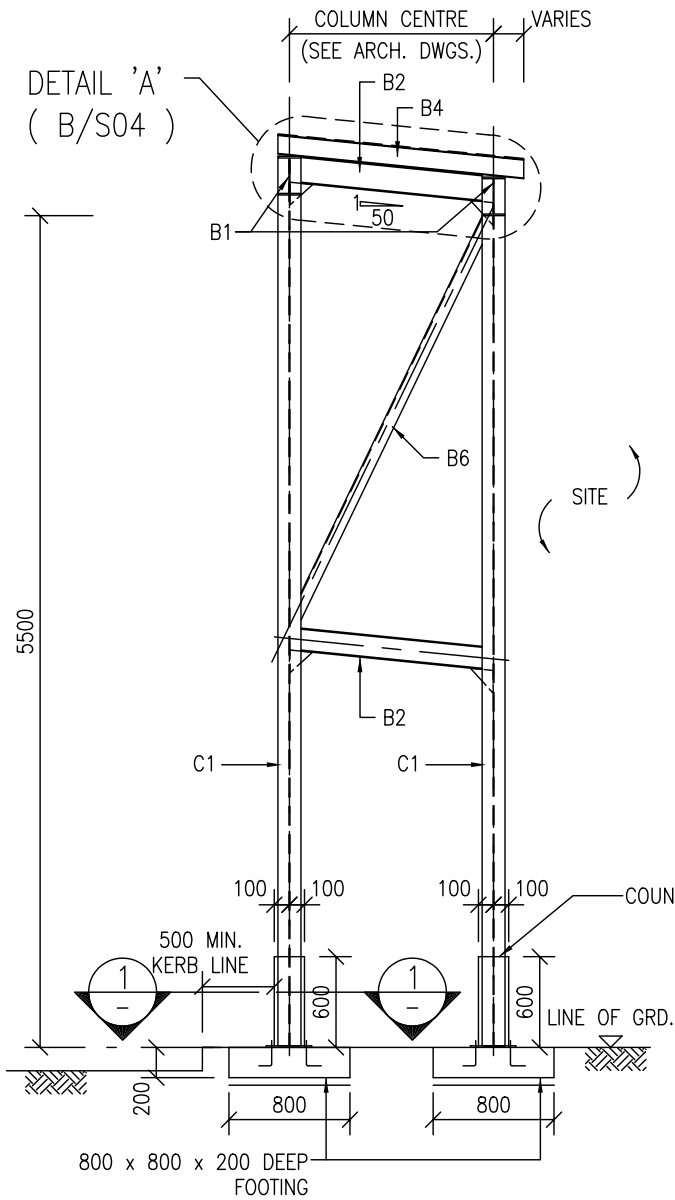
- NOTES :
1. ALL WELDING TO BE 6mm F.W. ALL ROUND IN ACCORDANCE WITH BS EN 1011-1 UNLESS OTHERWISE STATED.
 2. ALL BOLTS TO BE GRADE 4.6 BLACK BOLTS TO BS 4190.
 3. ALL STRUCTURAL SECTIONS SHALL BE WELDABLE STRUCTURAL STEEL OF GRADE S275 UNLESS OTHERWISE SPECIFIED.
 4. THE DETAILS OF GANTRY MAY BE MODIFIED BY PROJECT OFFICER TO SUIT ACTUAL SITE CONDITIONS.
 5. ALL STEEL WORKS SHALL BE MANUALLY CLEANED TO GS CL. 15.61 (i), PRIMED WITH ONE COAT OF OIL BASED ZINC PHOSPHATE PRIMER AND FINISHED WITH TWO FINISHING COATS OF SYNTHETIC PAINT OF ALKYD RESIN BASE.

STEEL MEMBER SCHEDULE

MEMBER MARK	MEMBER SIZE
C1	152 x 152 x 23 UC
C2, B3	152 x 89 x 16 UB
B1	254 x 146 x 37 UB
B2	178 x 102 x 19 UB
B4	127 x 64 x 14.9 CHANNEL
B5	76 x 38 x 6.7 CHANNEL
B6	70 x 70 x 6 ANGLE
B7	50 x 50 x 5 ANGLE

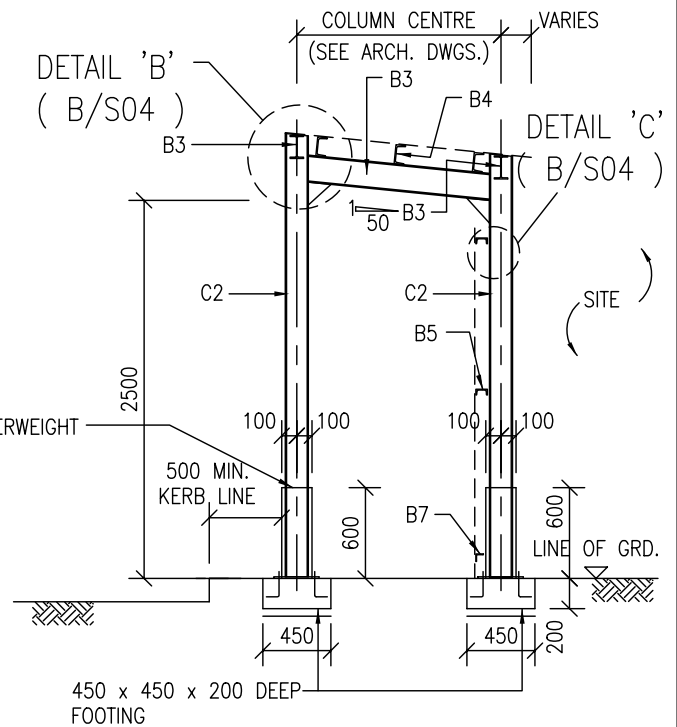
THE SKETCHES ARE PREPARED TO MEET THE GENERAL REQUIREMENTS AS SPECIFIED IN PNAP APP-102 ISSUED BY BD. SIZES OF FOOTINGS MAY BE MODIFIED BY PSE TO SUIT ACTUAL SITE CONDITIONS.

<p>ARCHITECTURAL SERVICES DEPARTMENT</p>	<p>Title</p> <p>TYPE B HOARDING - COVERED WALKWAY STRUCTURAL DETAILS 1</p>		<p>Scale</p> <p>1 : 50</p>	<p>Drawing No.</p> <p>9711/B/S01 (REV. B)</p>
	<p>Checked by</p> <p>CSE/1 M.K. WONG</p>	<p>Date</p> <p>24 FEB 2020</p>	<p>Approved by</p> <p>AD(SE) K.L. TSE</p>	<p>Date</p> <p>26 FEB 2020</p>



A - A

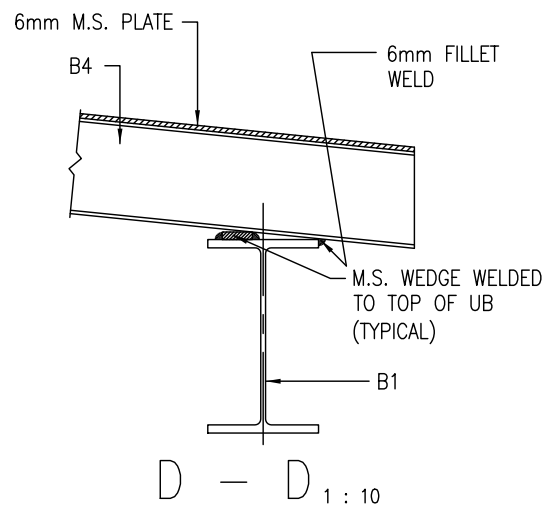
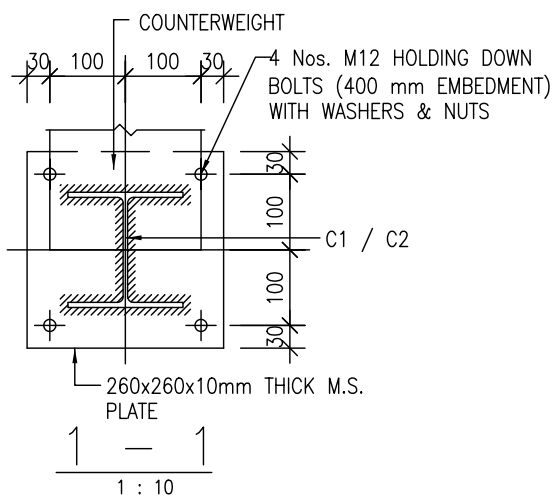
(TYPICAL SECTION OF COVERED WALKWAY)



B - B

NOTES :-

1. ALL FOOTINGS TO BE GRADE 20/20 MASS CONCRETE.



D - D 1 : 10



ARCHITECTURAL
SERVICES
DEPARTMENT

Title
**TYPE B HOARDING - COVERED WALKWAY
STRUCTURAL DETAILS 2**

Scale
1 : 50
1 : 10

Drawing No.

9711/B/S02

Checked by
CSE/1 C.T. WONG

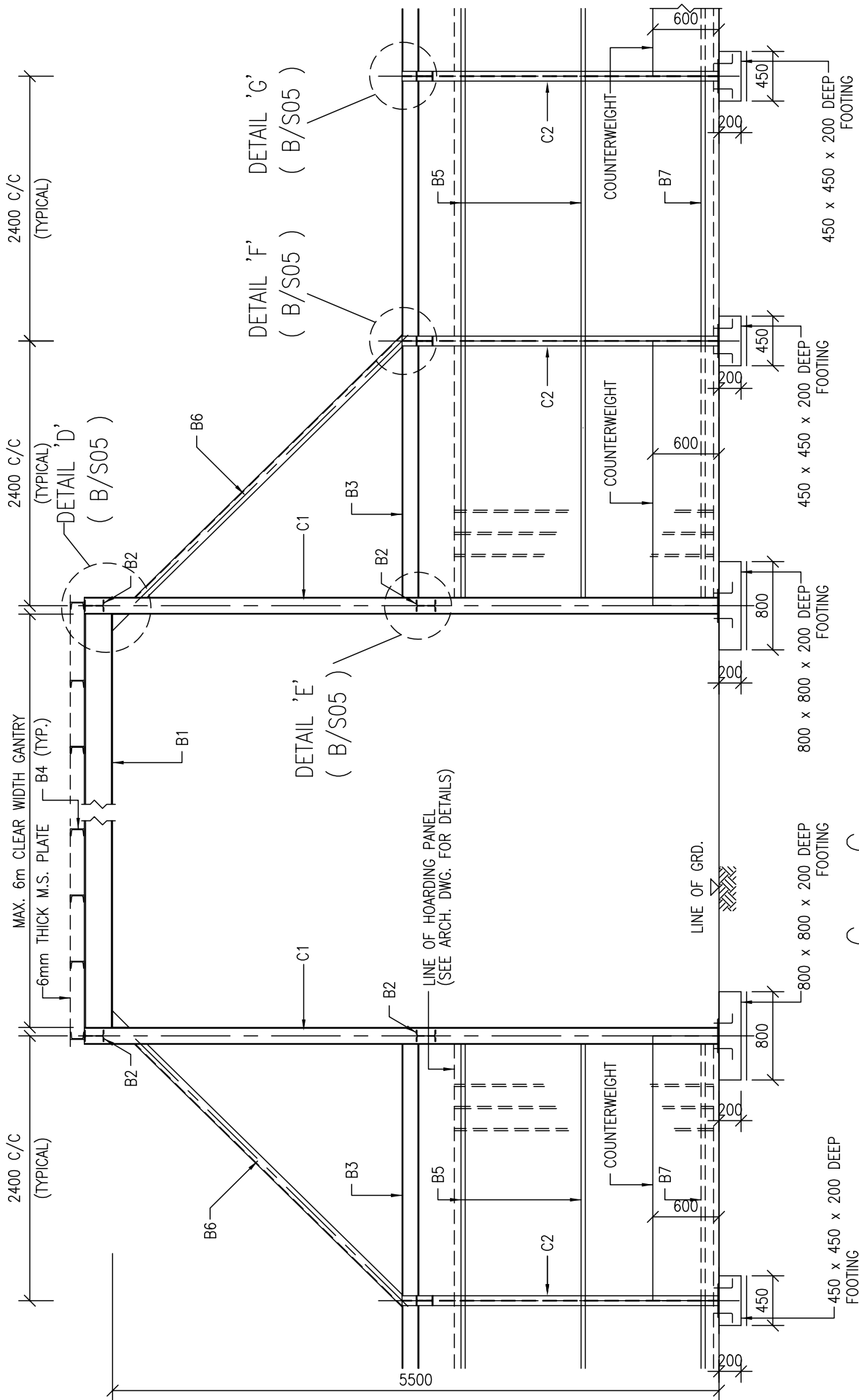
C.T. Wong

Date
11 Oct. 2007

Approved by
AD(SE) W.W. LI


W.W. Li

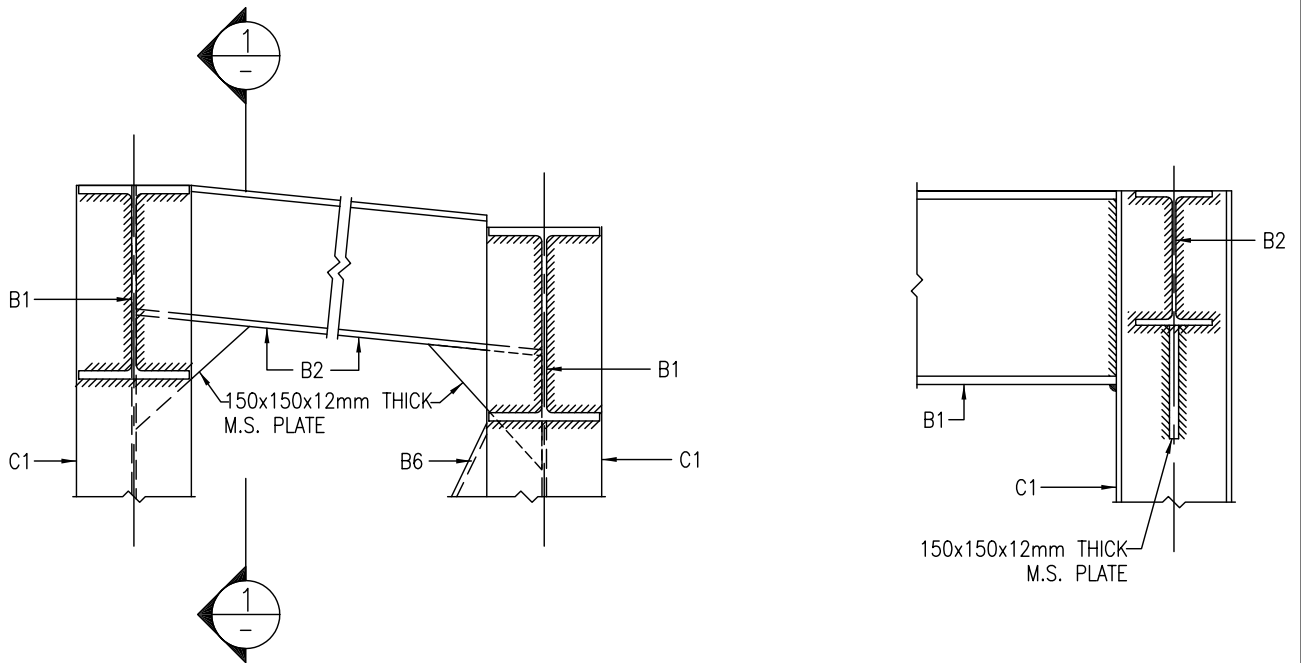
Date
11 Oct. 2007



NOTES :-
 1. ALL FOOTINGS TO BE GRADE 20/20 MASS CONCRETE.

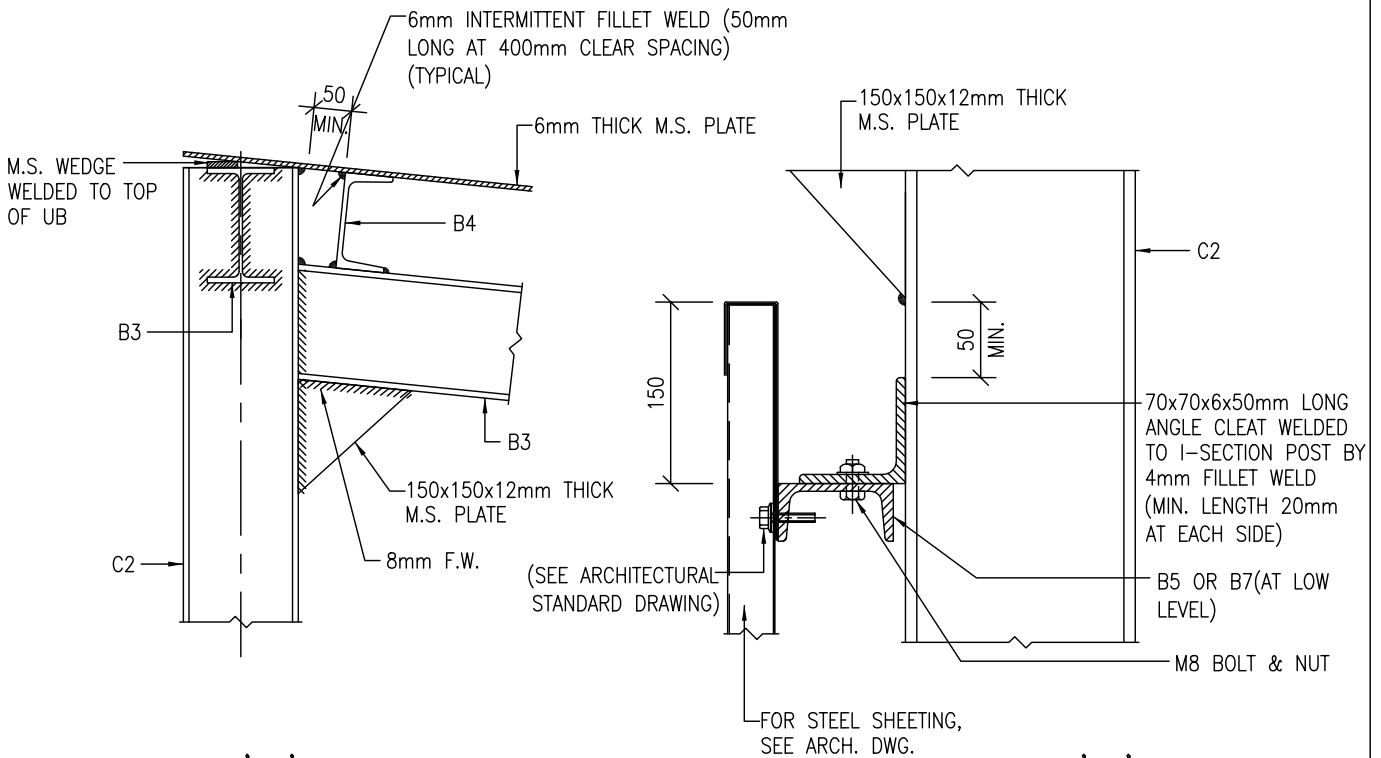
C - C

 ARCHITECTURAL SERVICES DEPARTMENT	Title TYPE B HOARDING - COVERED WALKWAY STRUCTURAL DETAILS 3		Scale 1 : 50	Drawing No. 9711/B/S03
	Checked by CSE/1 C.T. WONG <i>C.T. Wong</i>	Date 11 Oct. 2007	Approved by AD(SE) W.W. LI <i>W.W. Li</i>	Date 11 Oct. 2007




DETAIL 'A' 1 : 10
 (B4 NOT SHOWN FOR CLARITY)
 (B/S02)

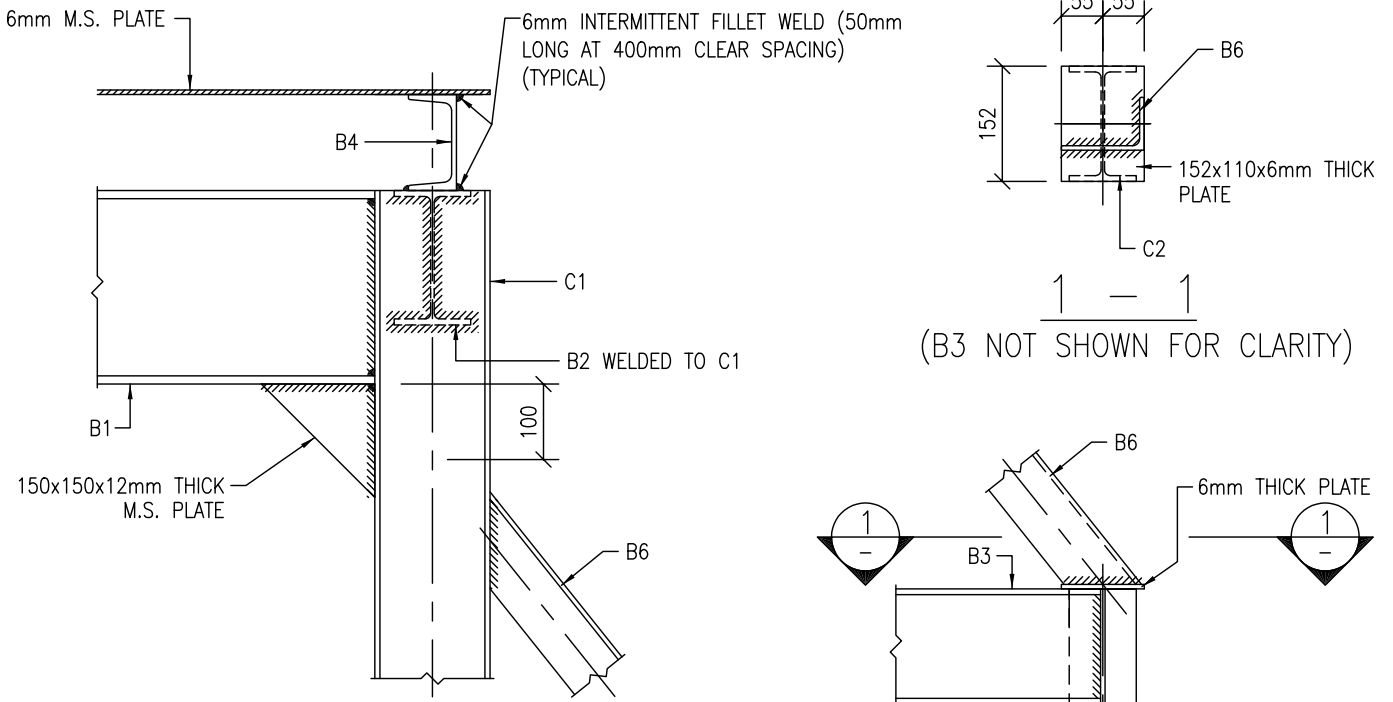
1 - 1 1 : 10



DETAIL 'B' 1 : 10
 (B/S02)

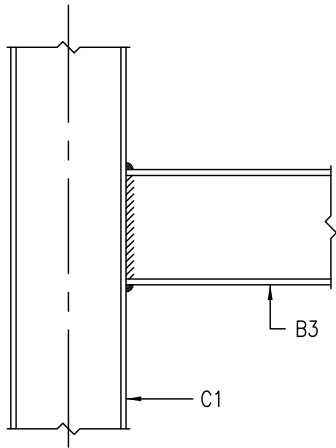
DETAIL 'C' 1 : 5
 (B/S02)

 ARCHITECTURAL SERVICES DEPARTMENT	Title TYPE B HOARDING - COVERED WALKWAY STRUCTURAL DETAILS 4		Scale 1 : 10 1 : 5	Drawing No. 9711/B/S04
	Checked by CSE/1 C.T. WONG <i>C.T. Wong</i>	Date 11 Oct. 2007	Approved by AD(SE) W.W. LI <i>W.W. Li</i>	Date 11 Oct. 2007

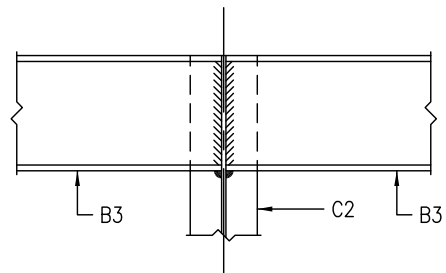


DETAIL 'D'
(B/S03)

DETAIL 'F'
(FLANGE OF C2 NOT SHOWN FOR CLARITY)
(B/S03)



DETAIL 'E'
(B/S03)

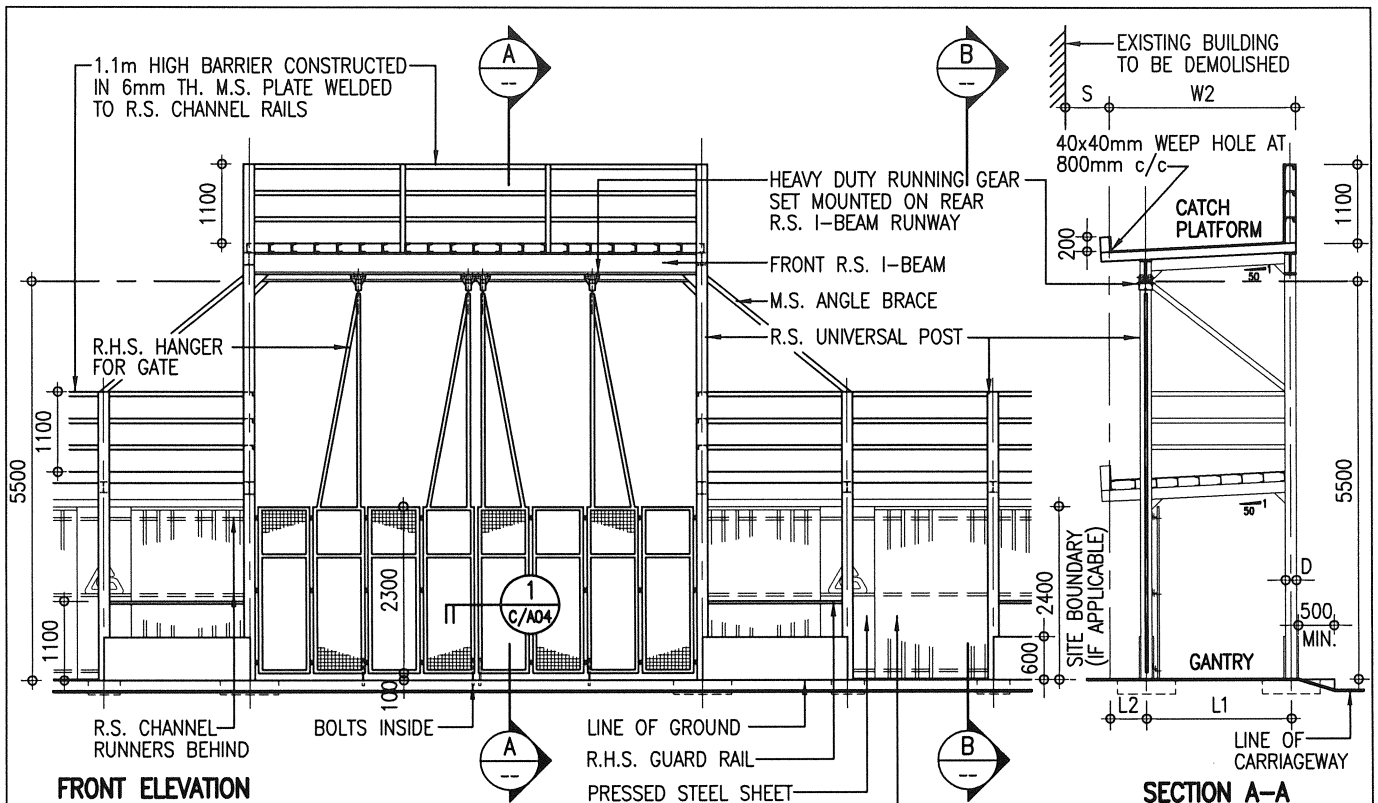


DETAIL 'G'
(FLANGE OF C2 NOT SHOWN FOR CLARITY)
(B/S03)



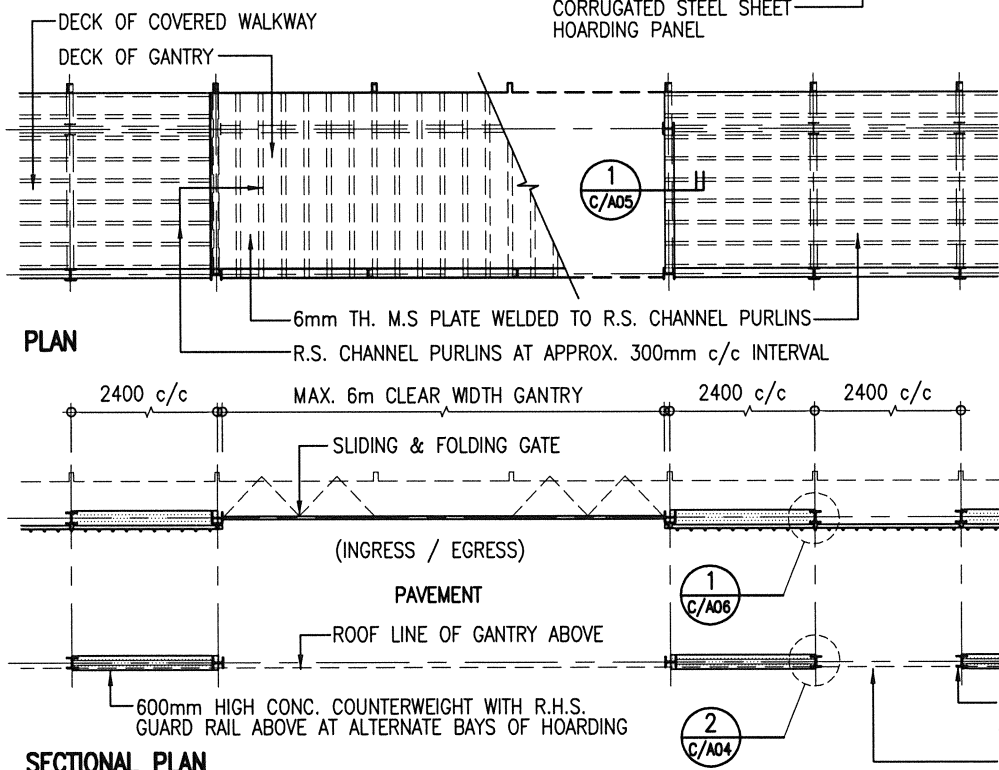
ARCHITECTURAL
SERVICES
DEPARTMENT

Title TYPE B HOARDING - COVERED WALKWAY STRUCTURAL DETAILS 5		Scale 1 : 10	Drawing No. 9711/B/S05
Checked by CSE/1 C.T. WONG <i>C.T. Wong</i>	Date 11 Oct. 2007	Approved by AD(SE) W.W. LI <i>W.W. Li</i>	Date 11 Oct. 2007



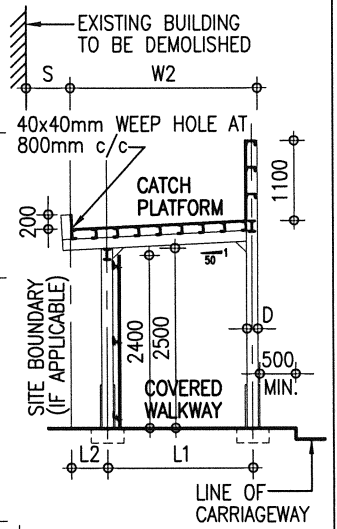
FRONT ELEVATION

SECTION A-A



PLAN

SECTIONAL PLAN



SECTION B-B


NOTES:

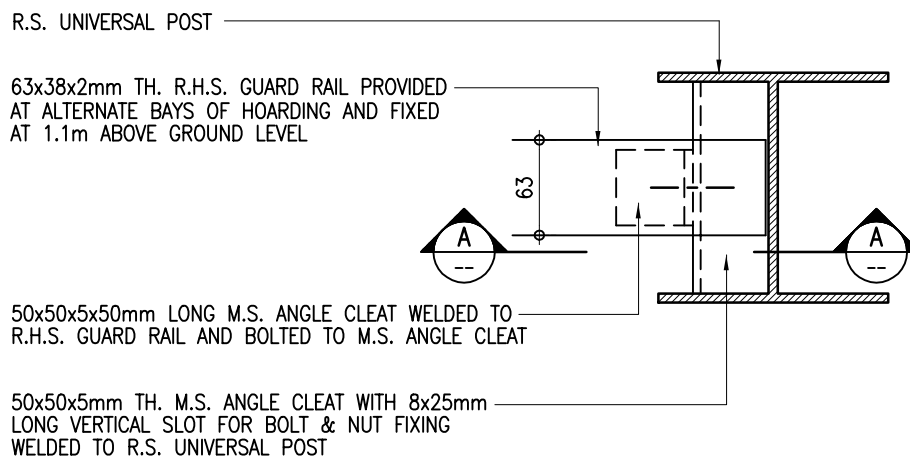
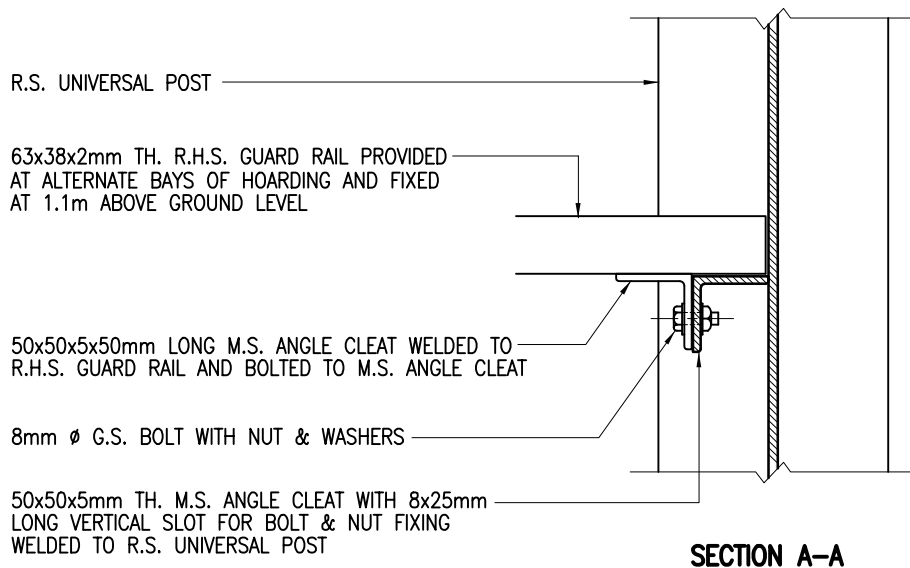
1. THIS DRAWING SHOULD BE READ IN CONJUNCTION WITH STRUCTURAL DRAWINGS NO. 9711/C/S01 TO S05.
2. REFER PT. 3 OF GENERAL NOTES IN DRAWING NO. 9711/C/A02 FOR THE REQUIRED CLEAR WIDTH (W1) OF COVERED WALKWAY.
3. REFER PNAP APP-21 & APP-23 OF BUILDINGS DEPARTMENT FOR THE PERMITTED WORKING SPACE (L2). (500mm MAX. FOR DEMOLITION WORKS OR 300mm MAX. FOR OTHER WORKS)
4. MIN. WIDTH OF CATCH PLATFORM (W2) FOR DEMOLITION WORKS = 2000mm-(S) SET BACK OR (L1)+(L2)+(D/2), WHICHEVER THE GREATER.

	Title COVERED WALKWAY WITH TYPE C HOARDING - SINGLE DECK CATCH PLATFORM GENERAL PLANS	Scale 1 : 100	Drawing No. 9711/C/A01
	Checked by CA/ASC W.H. LEE <i>W.H. Lee</i>	Date 11.4.2018	Approved by AD(PS) C.K. HUI <i>C.K. Hui</i>

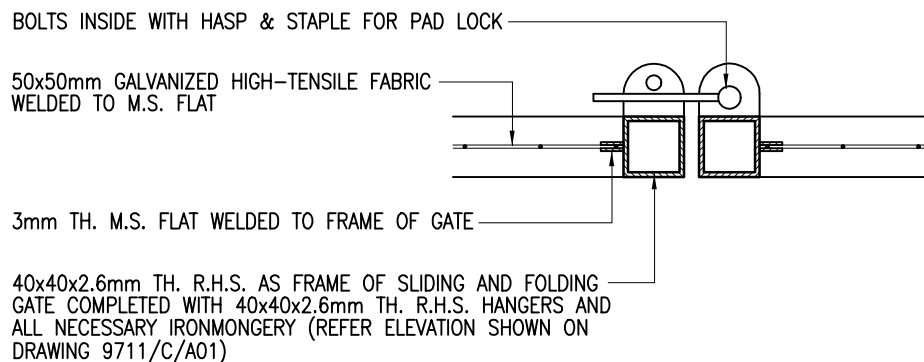
**GENERAL NOTES FOR CONSTRUCTION OF
HOARDINGS, COVERED WALKWAYS, AND ASSOCIATED GANTRIES AND CATCH PLATFORMS:**

1. THE ARCHITECTURAL HOARDING DRAWINGS SHOULD BE READ IN CONJUNCTION WITH THE APPROPRIATE STRUCTURAL HOARDING DRAWINGS AS REFERRED ON THE DRAWINGS.
2. IN DETERMINING THE TYPE OF HOARDING/COVERED WALKWAY CONSTRUCTION AND THE ASSOCIATED PROVISIONS TO SUIT THE PURPOSE, REFERENCE AND PROVISIONS SHOULD ALWAYS BE MADE TO MEET THE REQUIREMENTS OF THE CURRENTLY ENFORCED "CODE OF PRACTICE FOR DEMOLITION OF BUILDINGS" AND RELEVANT PNAPS ISSUED BY BUILDINGS DEPARTMENT.
3. A MINIMUM CLEAR WIDTH OF 1.1m AND RAISED FLOOR SHOULD BE PROVIDED FOR HOARDING/COVERED WALKWAY LOCATED ON CARRIAGEWAY. FOR HOARDING/COVERED WALKWAY LOCATED ON FOOTPATH, THE CLEAR WIDTH SHOULD BE RELATED TO THE EXISTING PAVEMENT WIDTH AND BE PROVIDED ACCORDING TO THOSE AS PROMULGATED IN PNAP APP-23 ISSUED BY THE BUILDINGS DEPARTMENT.
4. A TEMPORARY LIGHTING SYSTEM AS PROMULGATED IN PNAP APP-23 SHOULD BE PROVIDED FOR ALL COVERED WALKWAYS OF BUILDING SITES.
5. ALL METALWORK REFERRED IN THE DRAWINGS SHOULD COMPLY WITH SECTION 17 OF THE GENERAL SPECIFICATION FOR BUILDING 2017 EDITION OR THEREAFTER.
6. ALL CORRUGATED STEEL SHEET PANELS, CAPPINGS AND TOE SHEETS SHOULD BE OF GALVANIZED STEEL WITH MINIMUM ZINC COATING CONTENT 350g/m² WITH TRIPLE-SPOT TEST, AND BE FINISHED ON BOTH SURFACES WITH SYNTHETIC PAINT OF ALKYD RESIN BASE IN ACCORDANCE WITH SECTION 21 OF THE GENERAL SPECIFICATION FOR BUILDING 2017 EDITION PUBLISHED BY THE ARCHITECTURAL SERVICES DEPARTMENT OR THEREAFTER.
7. ALL EXPOSED SURFACES OF METALWORK SHOULD BE PAINTED IN MID-GREY COLOUR (BS5252: 10 A 07) UNLESS STATED OTHERWISE.
8. ArchSD LOGO SHOULD BE PAINTED AT A 3-BAY INTERVAL. IF THERE ARE OTHER LOGOS TO BE DISPLAYED, THE SPECIFIED LOGO AND THE ArchSD LOGO SHOULD BE PAINTED ALTERNATIVELY AT A 3-BAY INTERVAL.

 ARCHITECTURAL SERVICES DEPARTMENT	Title TYPE C HOARDING - COVERED WALKWAY WITH SINGLE DECK CATCH PLATFORM GENERAL NOTES	Scale NIL	Drawing No. 9711/C/A02
	Checked by CA/ASC W.H. LEE <i>W.H. Lee</i>	Date 11.4.2018	Approved by AD(PS) C.K. HUI <i>C.K. Hui</i>



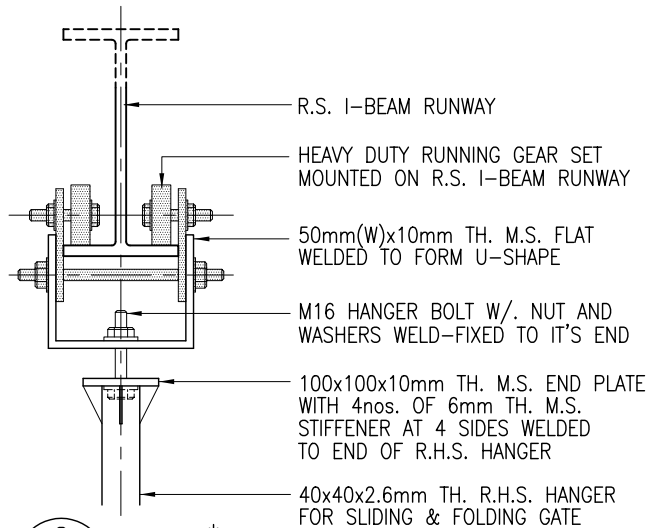
2 **FIXING DETAILS OF R.H.S. GUARD RAIL**
C/A04 1 : 5



1 **DETAILS OF SLIDING AND FOLDING GATE**
C/A04 1 : 5

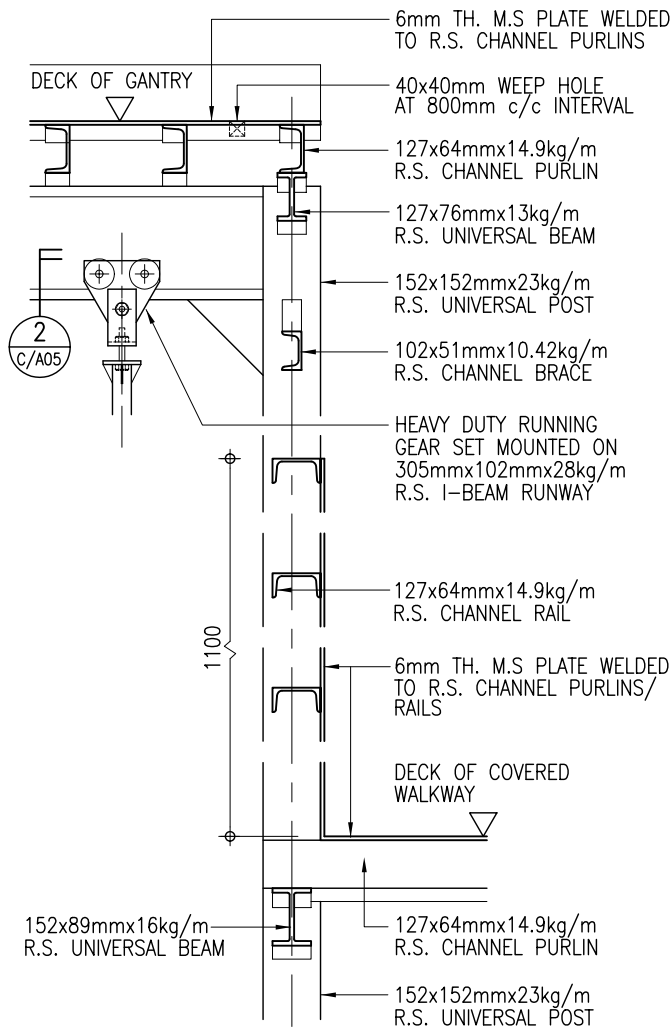


Title TYPE C HOARDING -	COVERED WALKWAY WITH SINGLE DECK CATCH PLATFORM CONSTRUCTION DETAILS 2		Scale 1 : 5	Drawing No. 9711/C/A04
	Checked by CPM303 C.F. HO <i>RJ</i>	Date 18 Sept. 2007	Approved by AD(PS) K.K. LEUNG <i>ML</i>	Date 19 Sept. 2007



2 DETAIL[‡]
C/A05 1 : 10

‡ THIS FIXING DETAIL IS FOR REFERENCE ONLY, SAMPLE OF RUNNING GEAR SET AND FIXING METHOD SHOULD BE SUBMITTED FOR APPROVAL BEFORE ORDERING.



1 DETAIL
C/A05 1 : 20



ARCHITECTURAL
SERVICES
DEPARTMENT

Title
**COVERED WALKWAY WITH
TYPE C HOARDING - SINGLE DECK CATCH PLATFORM
CONSTRUCTION DETAILS 3**

Scale
as shown

Drawing No.

9711/C/A05

Checked by
CPM303 C.F. HO

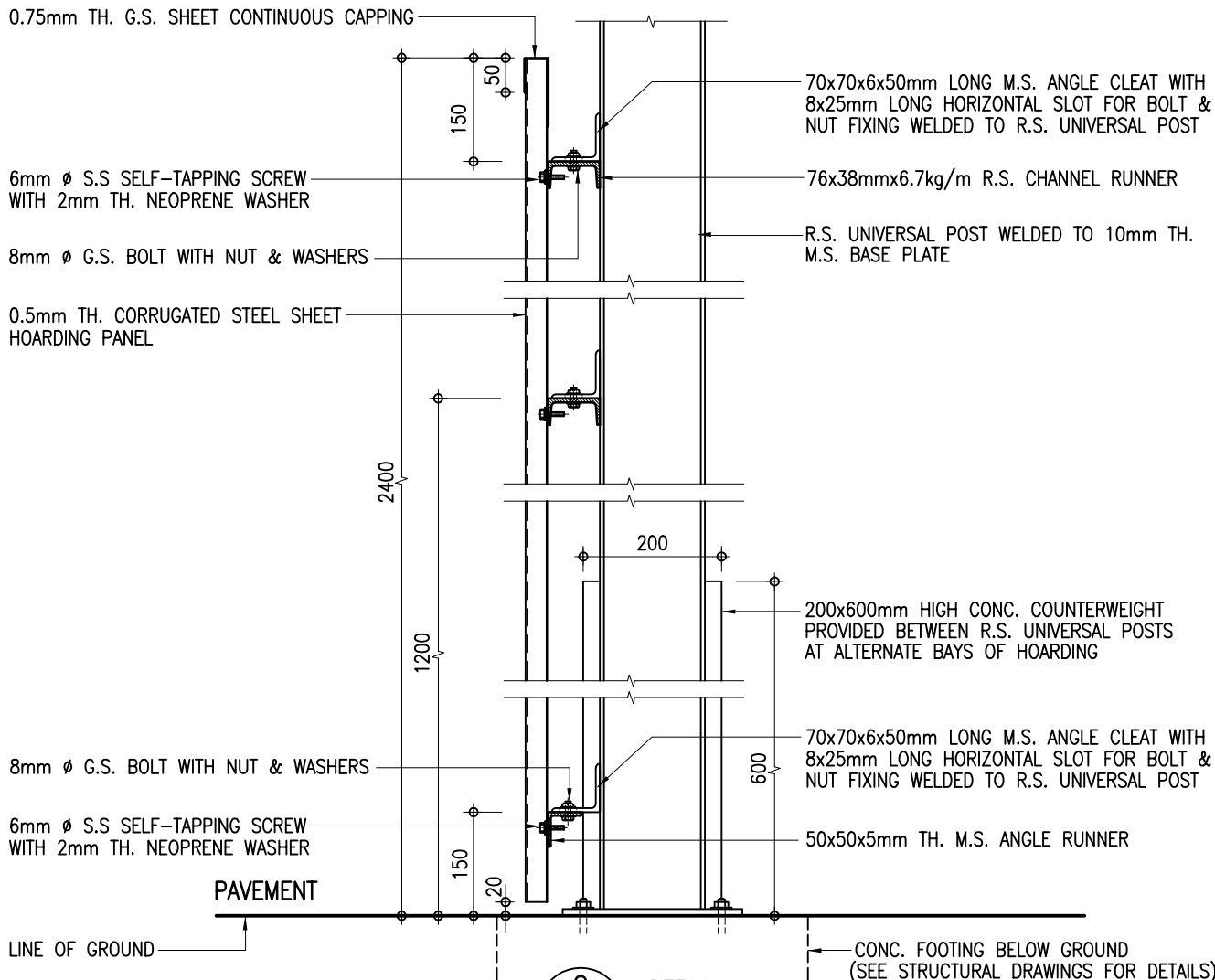
CF

Date
18 Sept. 2007

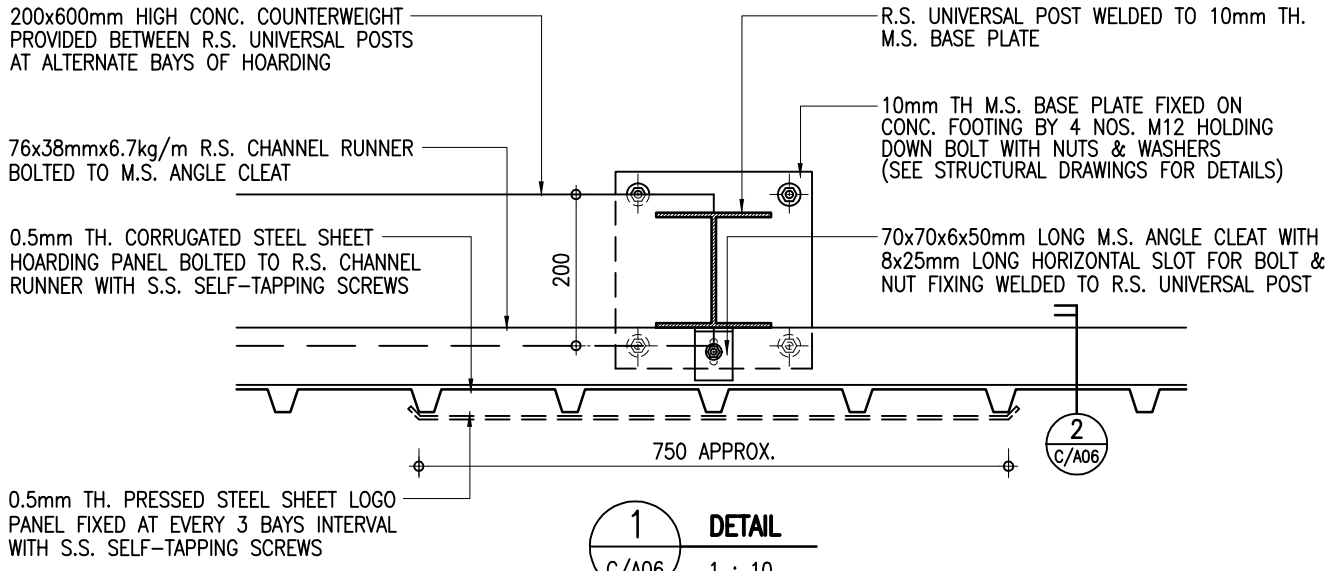
Approved by
AD(PS) K.K. LEUNG

KL

Date
19 Sept. 2007



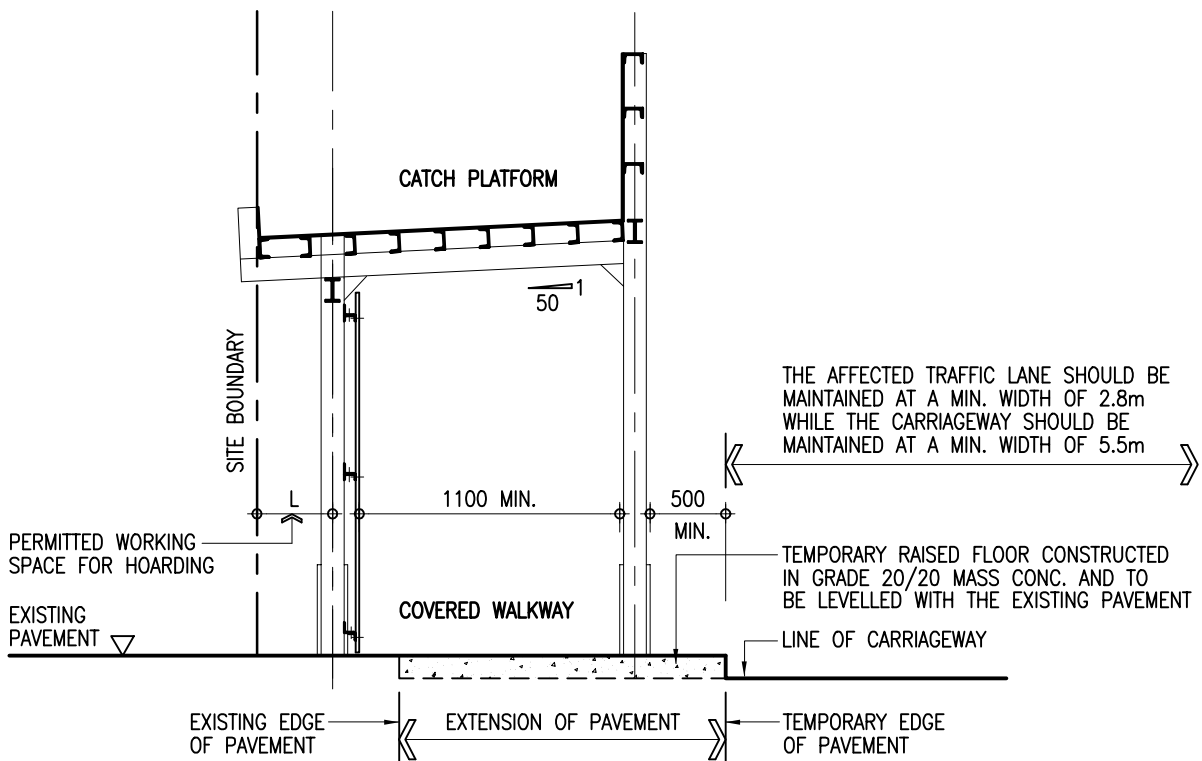
2 DETAIL
C/A06 1 : 10



1 DETAIL
C/A06 1 : 10




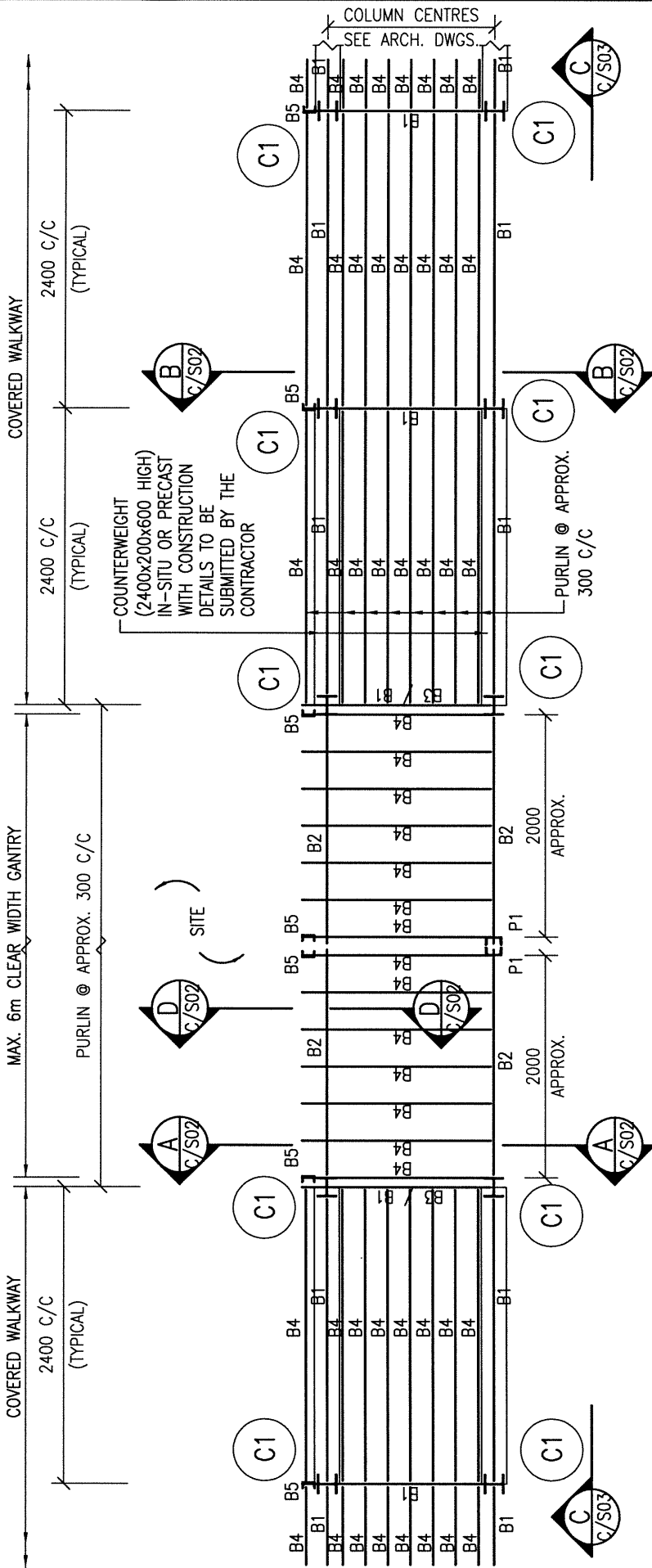
ARCHITECTURAL SERVICES DEPARTMENT	Title COVERED WALKWAY WITH TYPE C HOARDING - SINGLE DECK CATCH PLATFORM CONSTRUCTION DETAILS 4	Scale 1 : 10	Drawing No. 9711/C/A06
	Checked by CPM303 C.F. HO <i>RJ</i>	Date 18 Sept. 2007	Approved by AD(PS) K.K. LEUNG <i>ML</i>



TYPICAL DETAILS OF COVERED WALKWAY WITH SINGLE DECK CATCH PLATFORM HOARDING SITED ON CARRIAGEWAY/NARROW PAVEMENT

1 : 50

 ARCHITECTURAL SERVICES DEPARTMENT	Title TYPE C HOARDING - COVERED WALKWAY WITH SINGLE DECK CATCH PLATFORM CONSTRUCTION DETAILS 5	Scale 1 : 50	Drawing No. 9711/C/A07
	Checked by CPM303 C.F. HO <i>RJ</i>	Date 18 Sept. 2007	Approved by AD(PS) K.K. LEUNG <i>ML</i>



TOP PLAN OF GANTRY AND COVERED WALKWAY

- NOTES :
1. ALL WELDING TO BE 6mm F.W. ALL ROUND IN ACCORDANCE WITH BS EN 1011-1 UNLESS OTHERWISE STATED.
 2. ALL BOLTS TO BE GRADE 4.6 BLACK BOLTS TO BS 4190.
 3. ALL STRUCTURAL SECTIONS SHALL BE WELDABLE STRUCTURAL STEEL OF GRADE S275 UNLESS OTHERWISE SPECIFIED.
 4. THE DETAILS OF GANTRY MAY BE MODIFIED BY PROJECT OFFICER TO SUIT ACTUAL SITE CONDITIONS.
 5. ALL STEEL WORKS SHALL BE MANUALLY CLEANED TO GS CL. 15.61 (i), PRIMED WITH ONE COAT OF OIL BASED ZINC PHOSPHATE PRIMER AND FINISHED WITH TWO FINISHING COATS OF SYNTHETIC PAINT OF ALKYD RESIN BASE.

STEEL MEMBER SCHEDULE

MEMBER MARK	MEMBER SIZE
C1	152 x 152 x 23 UC
B1	152 x 89 x 16 UB
B2	305 x 102 x 28 UB
B3	127 x 76 x 13 UB
B4, B6, P1	127 x 64 x 14.9 CHANNEL
B5	102 x 51 x 10.42 CHANNEL
B7	76 x 38 x 6.7 CHANNEL
B8	70 x 70 x 6 ANGLE
B9	50 x 50 x 5 ANGLE

THE SKETCHES ARE PREPARED TO MEET THE GENERAL REQUIREMENTS AS SPECIFIED IN PNAP APP-102 ISSUED BY BD. SIZES OF FOOTINGS MAY BE MODIFIED BY PSE TO SUIT ACTUAL SITE CONDITIONS.



ARCHITECTURAL
SERVICES
DEPARTMENT

Title
**COVERED WALKWAY WITH
TYPE C HOARDING - SINGLE DECK CATCH PLATFORM
STRUCTURAL DETAILS 1**

Scale
1 : 50

Drawing No.

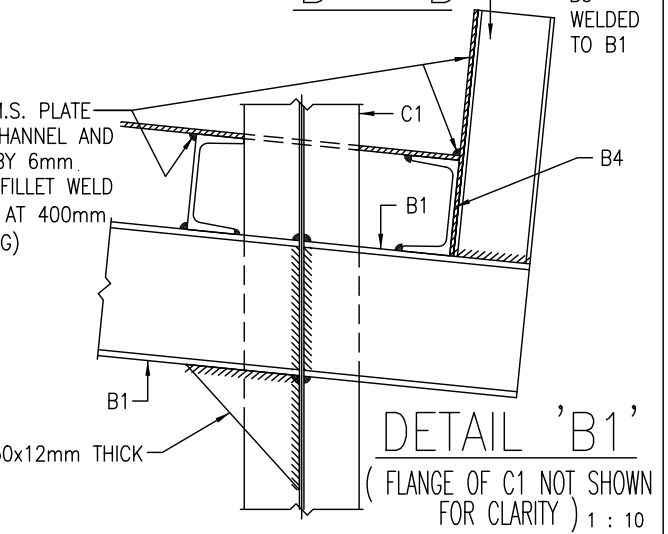
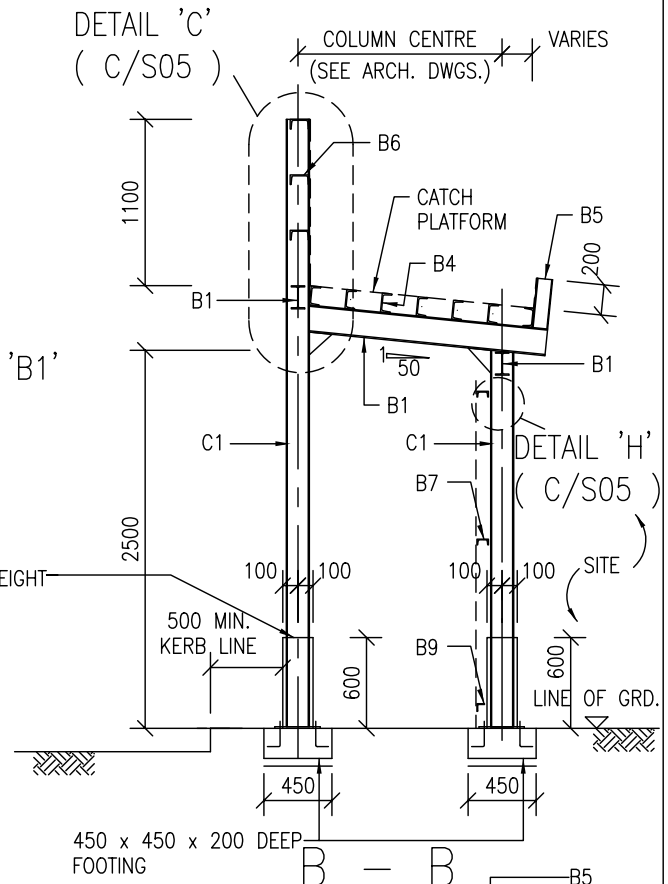
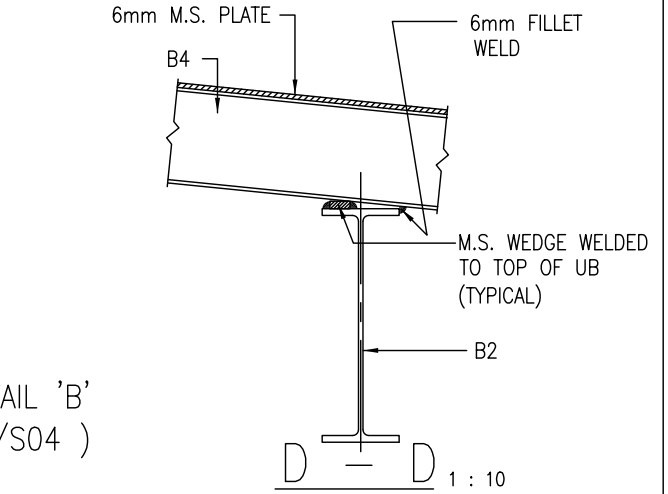
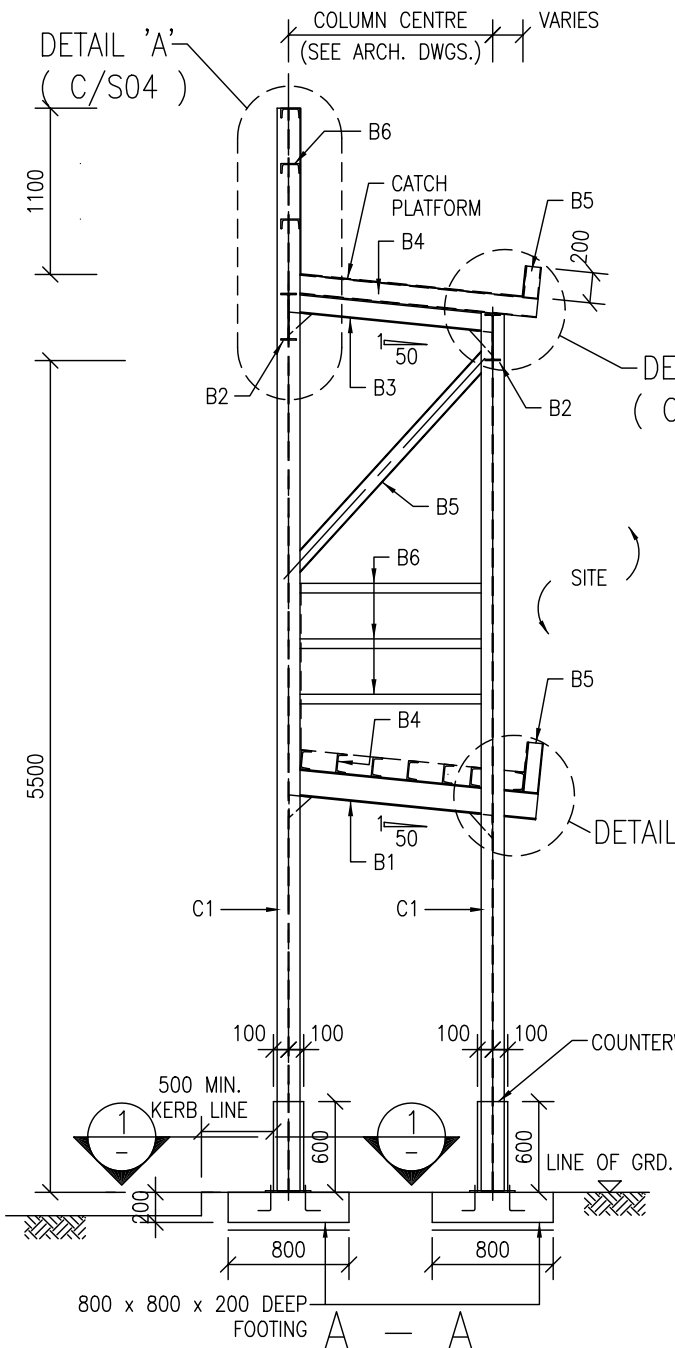
9711/C/S01
(REV. B)

Checked by
CSE/1 M.K. WONG

Date
24 FEB 2020

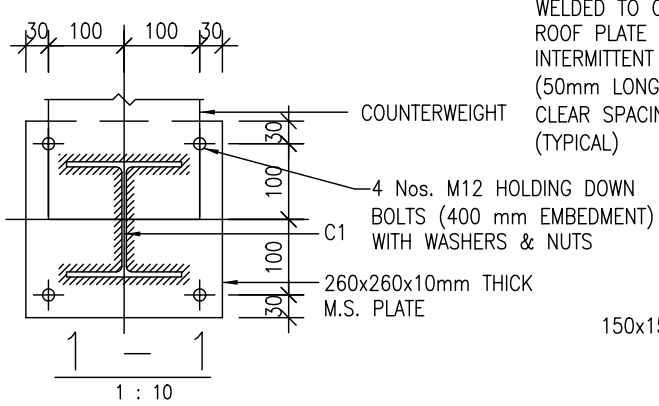
Approved by
AD(SE) K.L. TSE

Date
26 FEB 2020

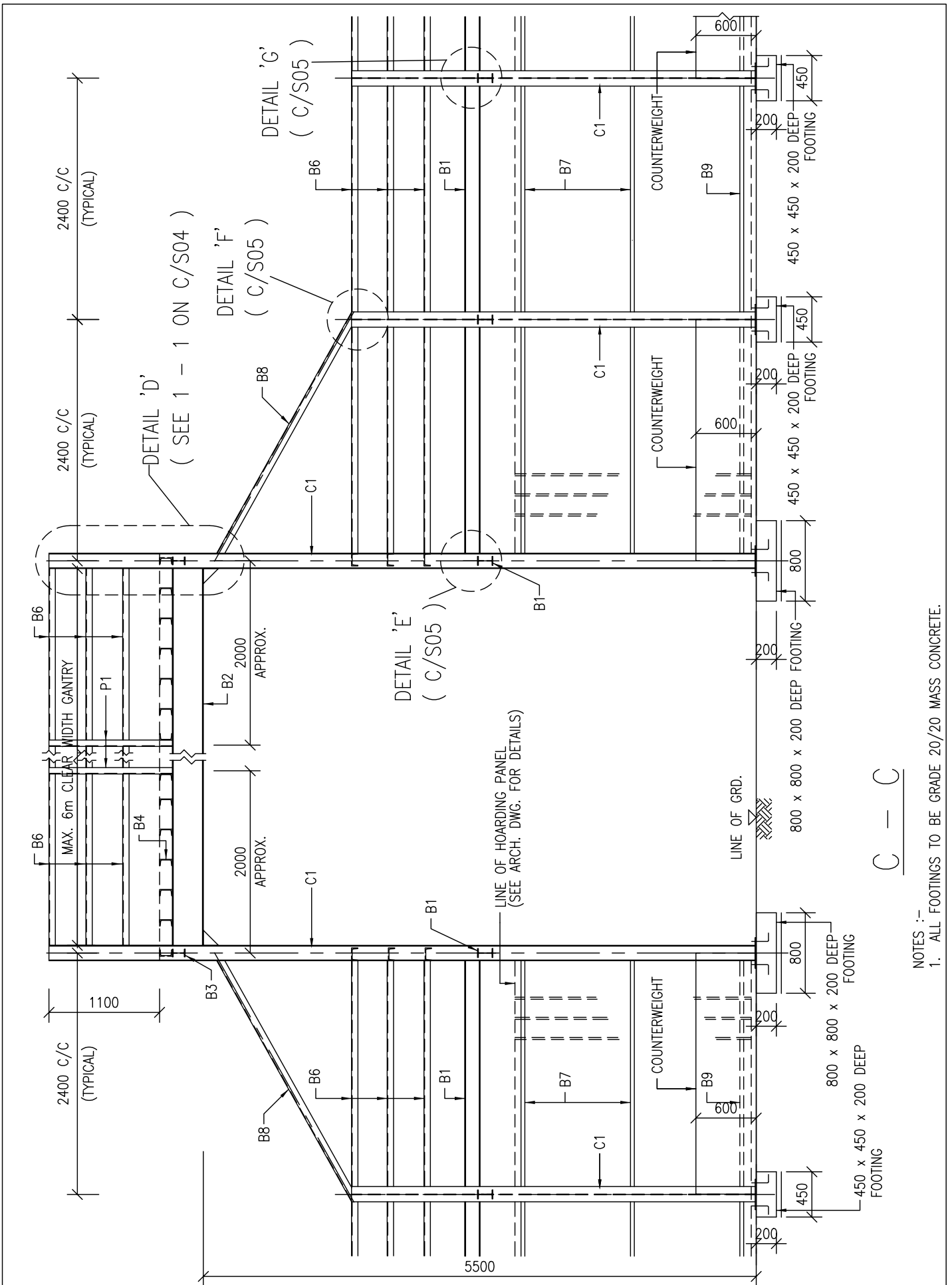


(TYPICAL SECTION OF COVERED WALKWAY)

NOTES :-
1. ALL FOOTINGS TO BE GRADE 20/20 MASS CONCRETE.




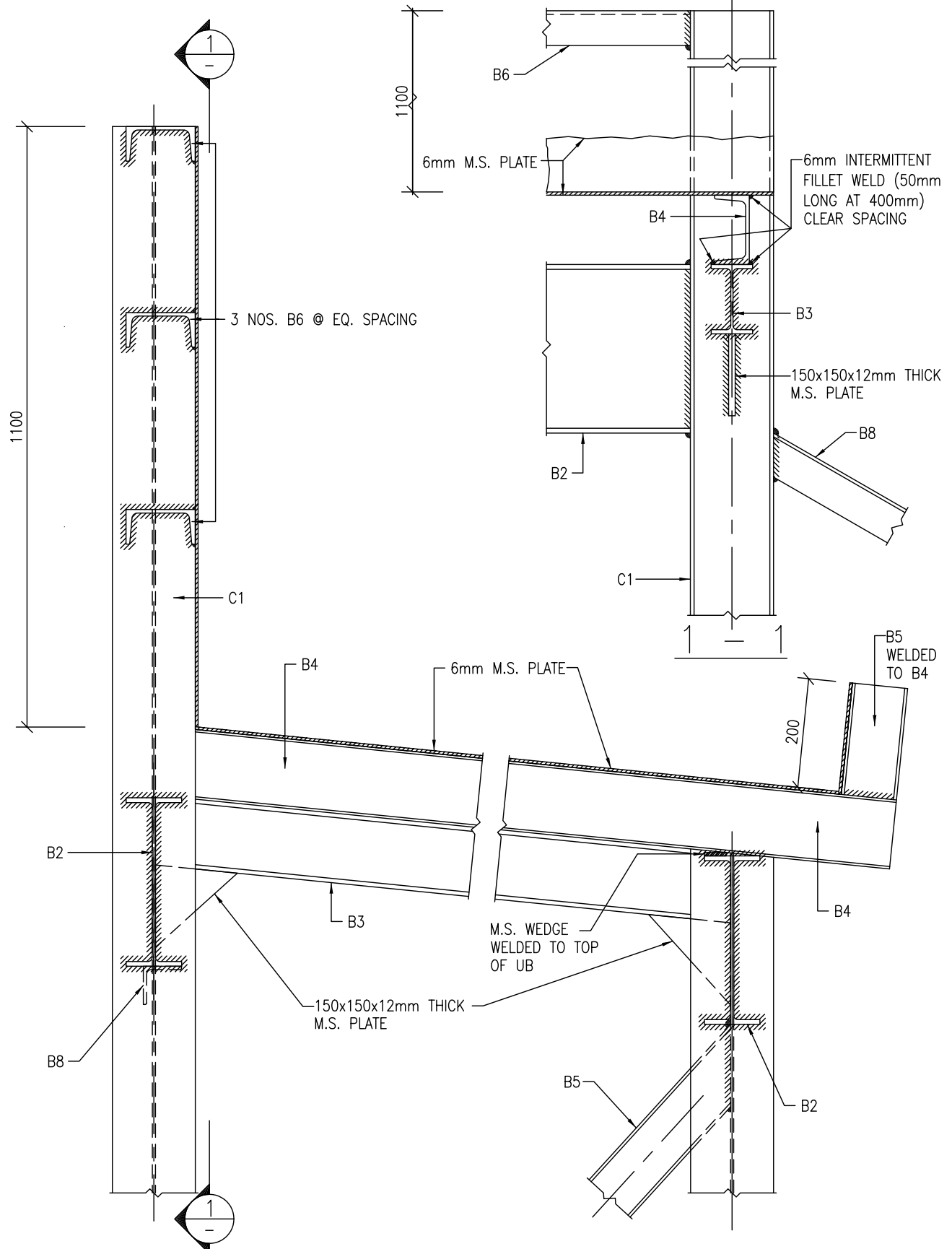
ARCHITECTURAL SERVICES DEPARTMENT	Title COVERED WALKWAY WITH TYPE C HOARDING - SINGLE DECK CATCH PLATFORM STRUCTURAL DETAILS 2	Scale 1 : 50 1 : 10	Drawing No. 9711/C/S02
	Checked by CSE/1 C.T. WONG <i>C.T. Wong</i>	Date 11 Oct. 2007	Approved by AD(SE) W.W. LI <i>W.W. Li</i>



C - C


NOTES :-
1. ALL FOOTINGS TO BE GRADE 20/20 MASS CONCRETE.

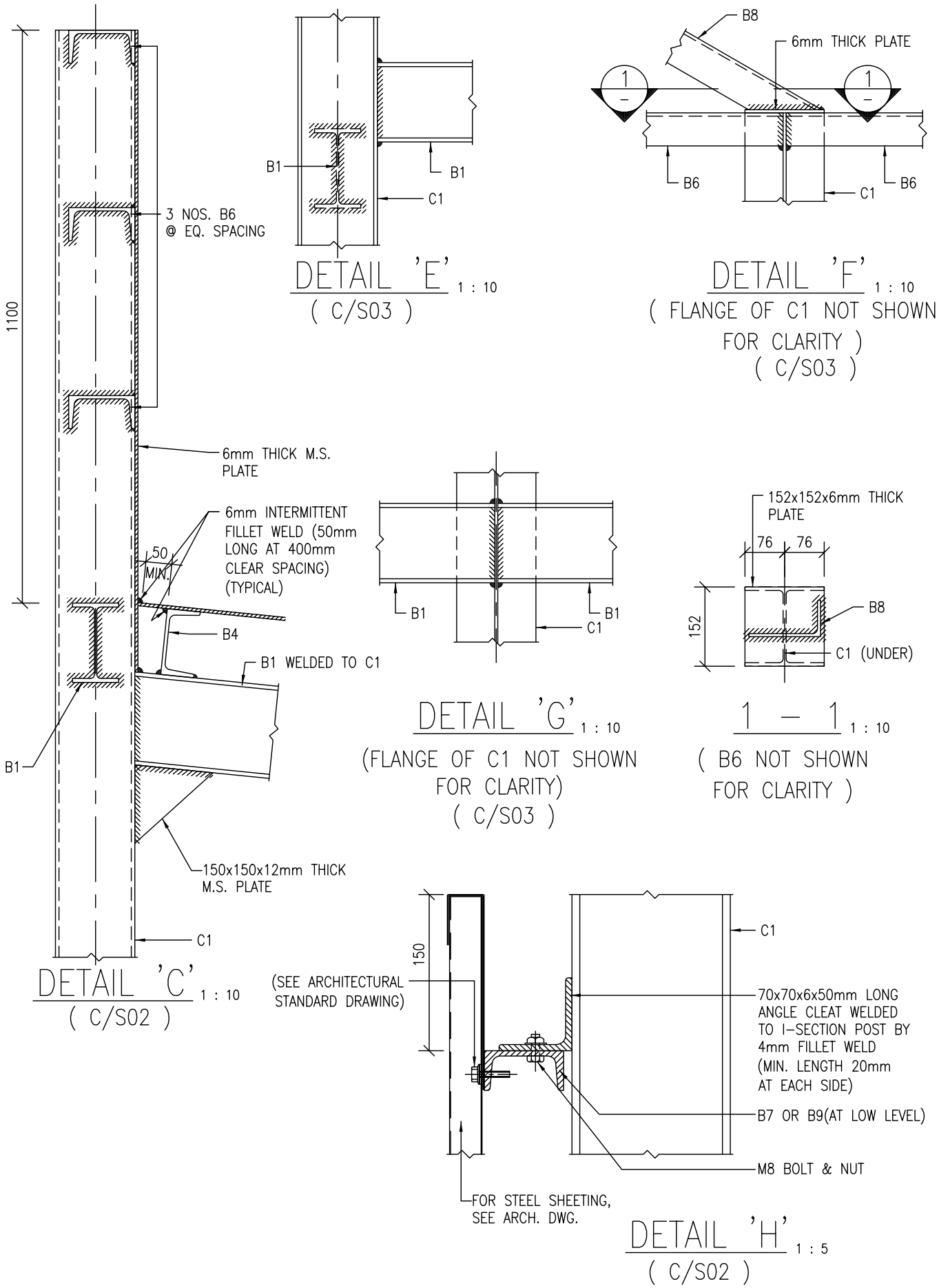
 ARCHITECTURAL SERVICES DEPARTMENT	Title COVERED WALKWAY WITH TYPE C HOARDING - SINGLE DECK CATCH PLATFORM STRUCTURAL DETAILS 3		Scale 1 : 50	Drawing No. 9711/C/S03
	Checked by CSE/1 C.T. WONG <i>C.T. Wong</i>	Date 11 Oct. 2007	Approved by AD(SE) W.W. LI <i>W.W. Li</i>	Date 11 Oct. 2007




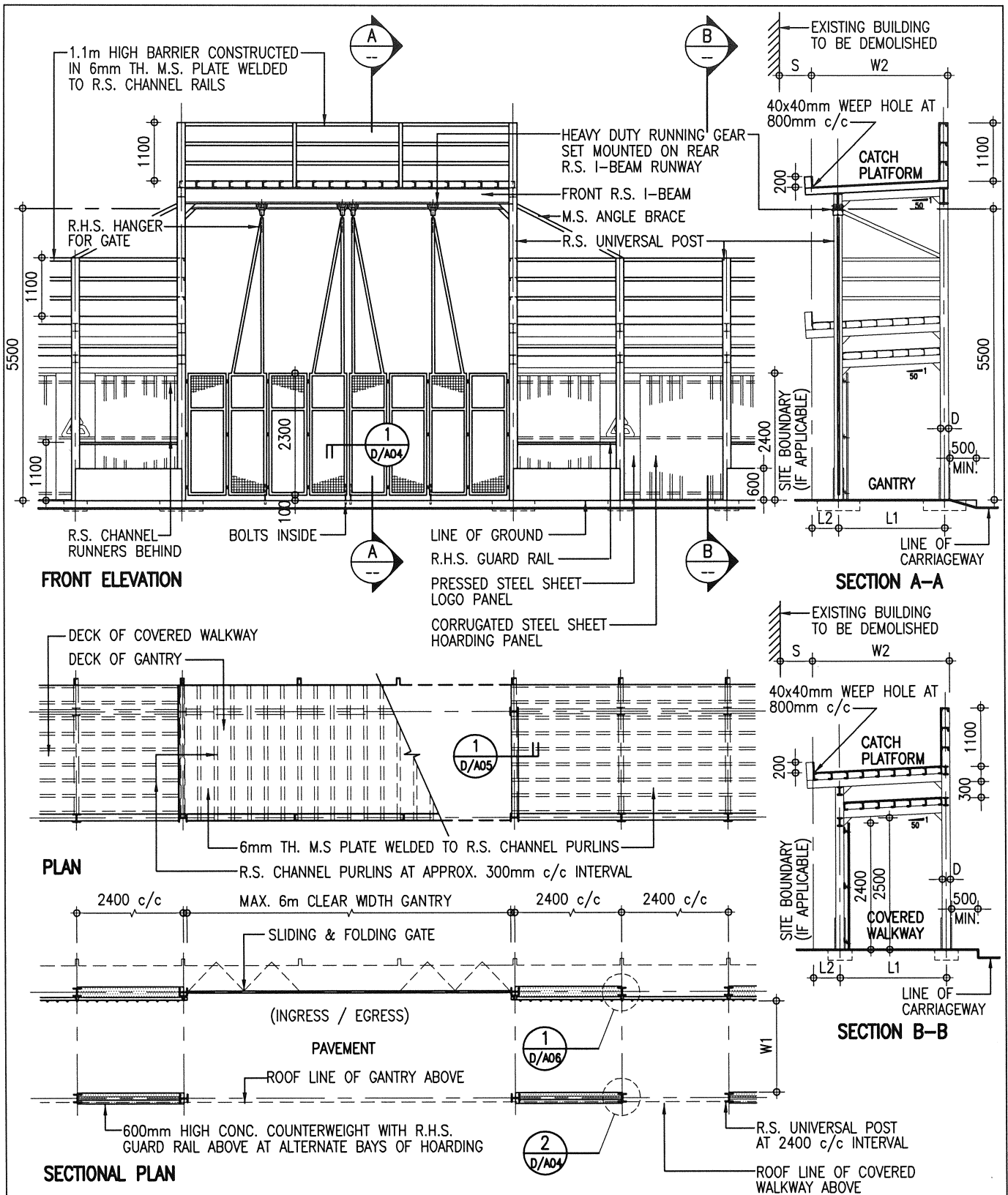
DETAIL 'A'
(C/S02)

DETAIL 'B'
(C/S02)

 ARCHITECTURAL SERVICES DEPARTMENT	Title TYPE C HOARDING - COVERED WALKWAY WITH SINGLE DECK CATCH PLATFORM STRUCTURAL DETAILS 4		Scale 1 : 10	Drawing No. 9711/C/S04
	Checked by CSE/1 C.T. WONG <i>C.T. Wong</i>	Date 11 Oct. 2007	Approved by AD(SE) W.W. LI <i>W.W. Li</i>	Date 11 Oct. 2007




 <p>ARCHITECTURAL SERVICES DEPARTMENT</p>	<p>Title</p> <p>COVERED WALKWAY WITH TYPE C HOARDING - SINGLE DECK CATCH PLATFORM STRUCTURAL DETAILS 5</p>		<p>Scale</p> <p>1 : 10 1 : 5</p>	<p>Drawing No.</p> <p>9711/C/S05</p>
	<p>Checked by</p> <p>CSE/1 C.T. WONG <i>Wong</i></p>	<p>Date</p> <p>11 Oct. 2007</p>	<p>Approved by</p> <p>AD(SE) W.W. LI <i>Li</i></p>	<p>Date</p> <p>11 Oct. 2007</p>




NOTES:

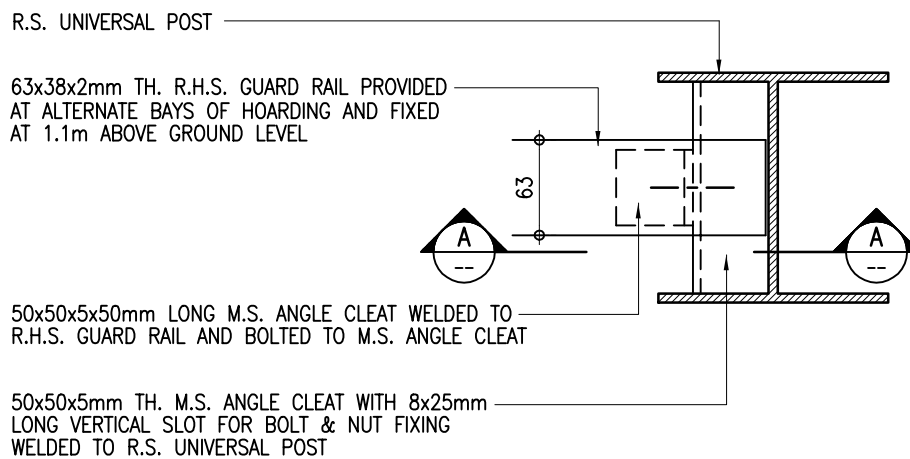
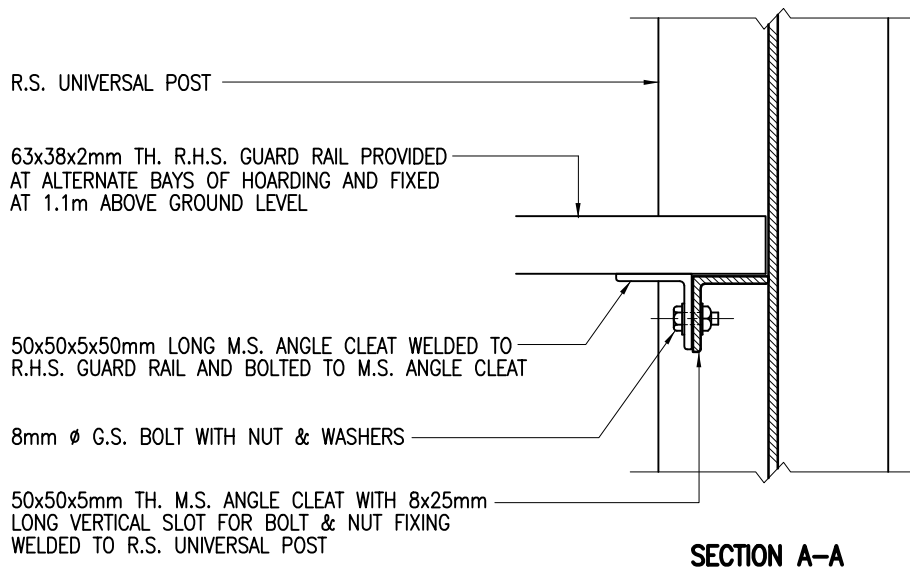
1. THIS DRAWING SHOULD BE READ IN CONJUNCTION WITH STRUCTURAL DRAWINGS NO. 9711/D/S01 TO S05.
2. REFER PT. 3 OF GENERAL NOTES IN DRAWING NO. 9711/D/A02 FOR THE REQUIRED CLEAR WIDTH (W1) OF COVERED WALKWAY.
3. REFER PNAP APP-21 & APP-23 OF BUILDINGS DEPARTMENT FOR THE PERMITTED WORKING SPACE (L2). (500mm MAX. FOR DEMOLITION WORKS OR 300mm MAX. FOR OTHER WORKS)
4. MIN. WIDTH OF CATCH PLATFORM (W2) FOR DEMOLITION WORKS = 2000mm-(S) SET BACK OR (L1)+(L2)+(D/2), WHICHEVER THE GREATER.

 <p>ARCHITECTURAL SERVICES DEPARTMENT</p>	<p>Title</p> <p>TYPE D HOARDING - COVERED WALKWAY WITH DOUBLE DECK CATCH PLATFORM GENERAL PLANS</p>	<p>Scale</p> <p>1 : 100</p>	<p>Drawing No.</p> <p>9711/D/A01</p>
	<p>Checked by</p> <p>CA/ASC W.H. LEE <i>[Signature]</i></p>	<p>Date</p> <p>11.4.2018</p>	<p>Approved by</p> <p>AD(PS) C.K. HUI <i>[Signature]</i></p>

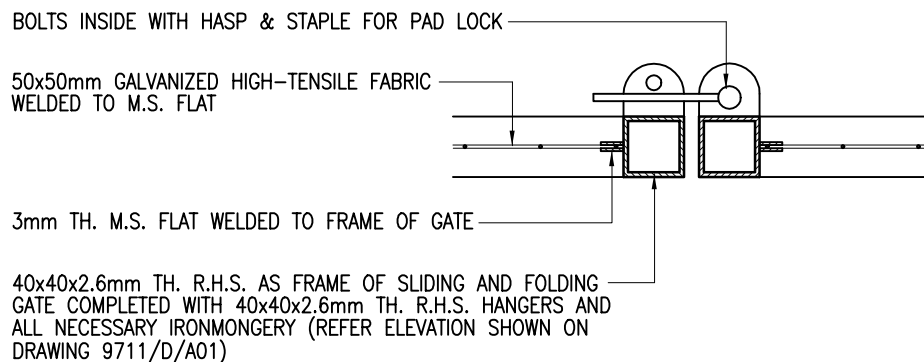
**GENERAL NOTES FOR CONSTRUCTION OF
HOARDINGS, COVERED WALKWAYS, AND ASSOCIATED GANTRIES AND CATCH PLATFORMS:**

1. THE ARCHITECTURAL HOARDING DRAWINGS SHOULD BE READ IN CONJUNCTION WITH THE APPROPRIATE STRUCTURAL HOARDING DRAWINGS AS REFERRED ON THE DRAWINGS.
2. IN DETERMINING THE TYPE OF HOARDING/COVERED WALKWAY CONSTRUCTION AND THE ASSOCIATED PROVISIONS TO SUIT THE PURPOSE, REFERENCE AND PROVISIONS SHOULD ALWAYS BE MADE TO MEET THE REQUIREMENTS OF THE CURRENTLY ENFORCED "CODE OF PRACTICE FOR DEMOLITION OF BUILDINGS" AND RELEVANT PNAPS ISSUED BY BUILDINGS DEPARTMENT.
3. A MINIMUM CLEAR WIDTH OF 1.1m AND RAISED FLOOR SHOULD BE PROVIDED FOR HOARDING/COVERED WALKWAY LOCATED ON CARRIAGEWAY. FOR HOARDING/COVERED WALKWAY LOCATED ON FOOTPATH, THE CLEAR WIDTH SHOULD BE RELATED TO THE EXISTING PAVEMENT WIDTH AND BE PROVIDED ACCORDING TO THOSE AS PROMULGATED IN PNAP APP-23 ISSUED BY THE BUILDINGS DEPARTMENT.
4. A TEMPORARY LIGHTING SYSTEM AS PROMULGATED IN PNAP APP-23 SHOULD BE PROVIDED FOR ALL COVERED WALKWAYS OF BUILDING SITES.
5. ALL METALWORK REFERRED IN THE DRAWINGS SHOULD COMPLY WITH SECTION 17 OF THE GENERAL SPECIFICATION FOR BUILDING 2017 EDITION OR THEREAFTER.
6. ALL CORRUGATED STEEL SHEET PANELS, CAPPINGS AND TOE SHEETS SHOULD BE OF GALVANIZED STEEL WITH MINIMUM ZINC COATING CONTENT 350g/m² WITH TRIPLE-SPOT TEST, AND BE FINISHED ON BOTH SURFACES WITH SYNTHETIC PAINT OF ALKYD RESIN BASE IN ACCORDANCE WITH SECTION 21 OF THE GENERAL SPECIFICATION FOR BUILDING 2017 EDITION PUBLISHED BY THE ARCHITECTURAL SERVICES DEPARTMENT OR THEREAFTER.
7. ALL EXPOSED SURFACES OF METALWORK SHOULD BE PAINTED IN MID-GREY COLOUR (BS5252: 10 A 07) UNLESS STATED OTHERWISE.
8. ArchSD LOGO SHOULD BE PAINTED AT A 3-BAY INTERVAL. IF THERE ARE OTHER LOGOS TO BE DISPLAYED, THE SPECIFIED LOGO AND THE ArchSD LOGO SHOULD BE PAINTED ALTERNATIVELY AT A 3-BAY INTERVAL.

 ARCHITECTURAL SERVICES DEPARTMENT	Title TYPE D HOARDING - COVERED WALKWAY WITH DOUBLE DECK CATCH PLATFORM GENERAL NOTES		Scale NIL	Drawing No. 9711/D/A02
	Checked by CA/ASC W.H. LEE <i>W.H. Lee</i>	Date 11.4.2018	Approved by AD(PS) C.K. HUI <i>C.K. Hui</i>	Date 12.4.2018



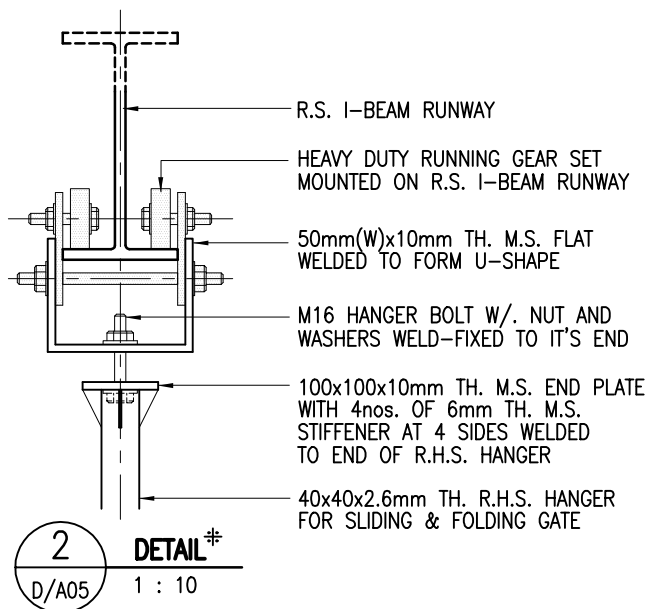
2 **FIXING DETAILS OF R.H.S. GUARD RAIL**
D/A04 1 : 5



1 **DETAILS OF SLIDING AND FOLDING GATE**
D/A04 1 : 5

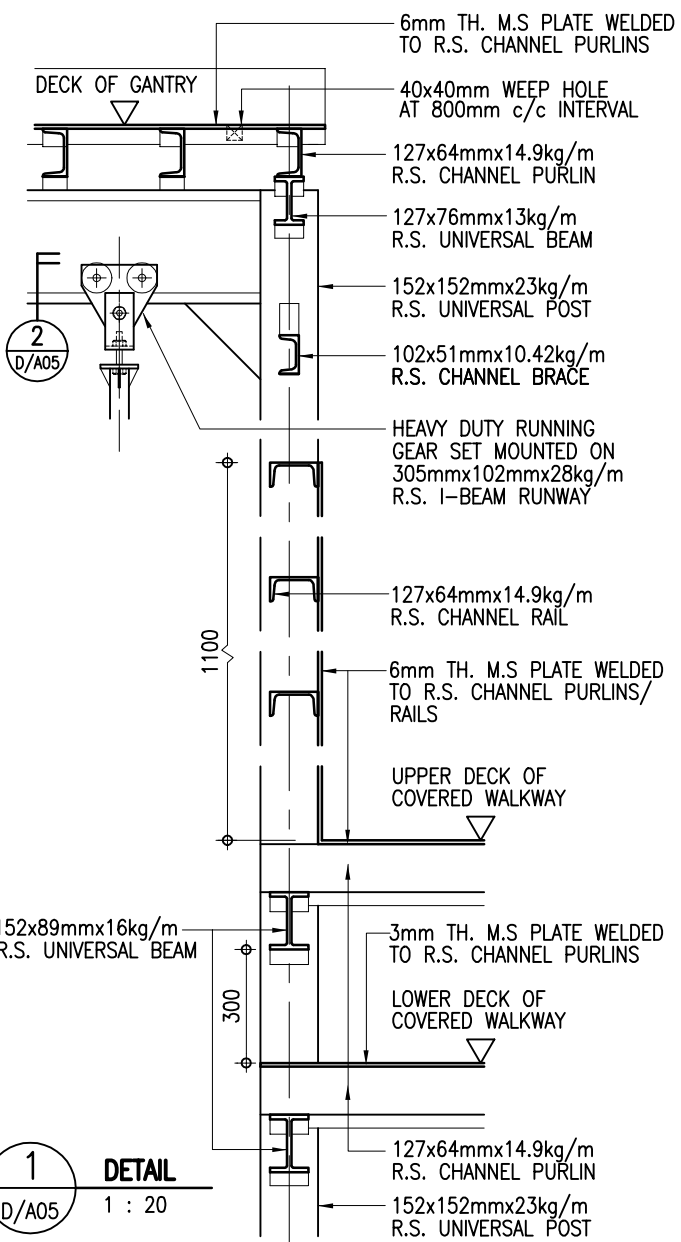


Title TYPE D HOARDING -	COVERED WALKWAY WITH DOUBLE DECK CATCH PLATFORM CONSTRUCTION DETAILS 2	Scale 1 : 5	Drawing No. 9711/D/A04
	Checked by CPM303 C.F. HO <i>RJ</i>	Date 18 Sept. 2007	Approved by AD(PS) K.K. LEUNG <i>MR</i>



⌘ THIS FIXING DETAIL IS FOR REFERENCE ONLY, SAMPLE OF RUNNING GEAR SET AND FIXING METHOD SHOULD BE SUBMITTED FOR APPROVAL BEFORE ORDERING.

2 **DETAIL**
D/A05 1 : 10



1 **DETAIL**
D/A05 1 : 20



ARCHITECTURAL SERVICES DEPARTMENT	Title COVERED WALKWAY WITH TYPE D HOARDING - DOUBLE DECK CATCH PLATFORM CONSTRUCTION DETAILS 3	Scale as shown	Drawing No. 9711/D/A05
	Checked by CPM303 C.F. HO <i>RJ</i>	Date 18 Sept. 2007	Approved by AD(PS) K.K. LEUNG <i>ML</i>
		Date 19 Sept. 2007	

0.75mm TH. G.S. SHEET CONTINUOUS CAPPING

6mm ϕ S.S. SELF-TAPPING SCREW WITH 2mm TH. NEOPRENE WASHER

8mm ϕ G.S. BOLT WITH NUT & WASHERS

0.5mm TH. CORRUGATED STEEL SHEET HOARDING PANEL

8mm ϕ G.S. BOLT WITH NUT & WASHERS

6mm ϕ S.S. SELF-TAPPING SCREW WITH 2mm TH. NEOPRENE WASHER

PAVEMENT

LINE OF GROUND

70x70x6x50mm LONG M.S. ANGLE CLEAT WITH 8x25mm LONG HORIZONTAL SLOT FOR BOLT & NUT FIXING WELDED TO R.S. UNIVERSAL POST

76x38mmx6.7kg/m R.S. CHANNEL RUNNER

R.S. UNIVERSAL POST WELDED TO 10mm TH. M.S. BASE PLATE

200x600mm HIGH CONC. COUNTERWEIGHT PROVIDED BETWEEN R.S. UNIVERSAL POSTS AT ALTERNATE BAYS OF HOARDING

70x70x6x50mm LONG M.S. ANGLE CLEAT WITH 8x25mm LONG HORIZONTAL SLOT FOR BOLT & NUT FIXING WELDED TO R.S. UNIVERSAL POST

50x50x5mm TH. M.S. ANGLE RUNNER

CONC. FOOTING BELOW GROUND (SEE STRUCTURAL DRAWINGS FOR DETAILS)

2
DETAIL
D/A06 1 : 10

200x600mm HIGH CONC. COUNTERWEIGHT PROVIDED BETWEEN R.S. UNIVERSAL POSTS AT ALTERNATE BAYS OF HOARDING

76x38mmx6.7kg/m R.S. CHANNEL RUNNER BOLTED TO M.S. ANGLE CLEAT

0.5mm TH. CORRUGATED STEEL SHEET HOARDING PANEL BOLTED TO R.S. CHANNEL RUNNER WITH S.S. SELF-TAPPING SCREWS

0.5mm TH. PRESSED STEEL SHEET LOGO PANEL FIXED AT EVERY 3 BAYS INTERVAL WITH S.S. SELF-TAPPING SCREWS

R.S. UNIVERSAL POST WELDED TO 10mm TH. M.S. BASE PLATE

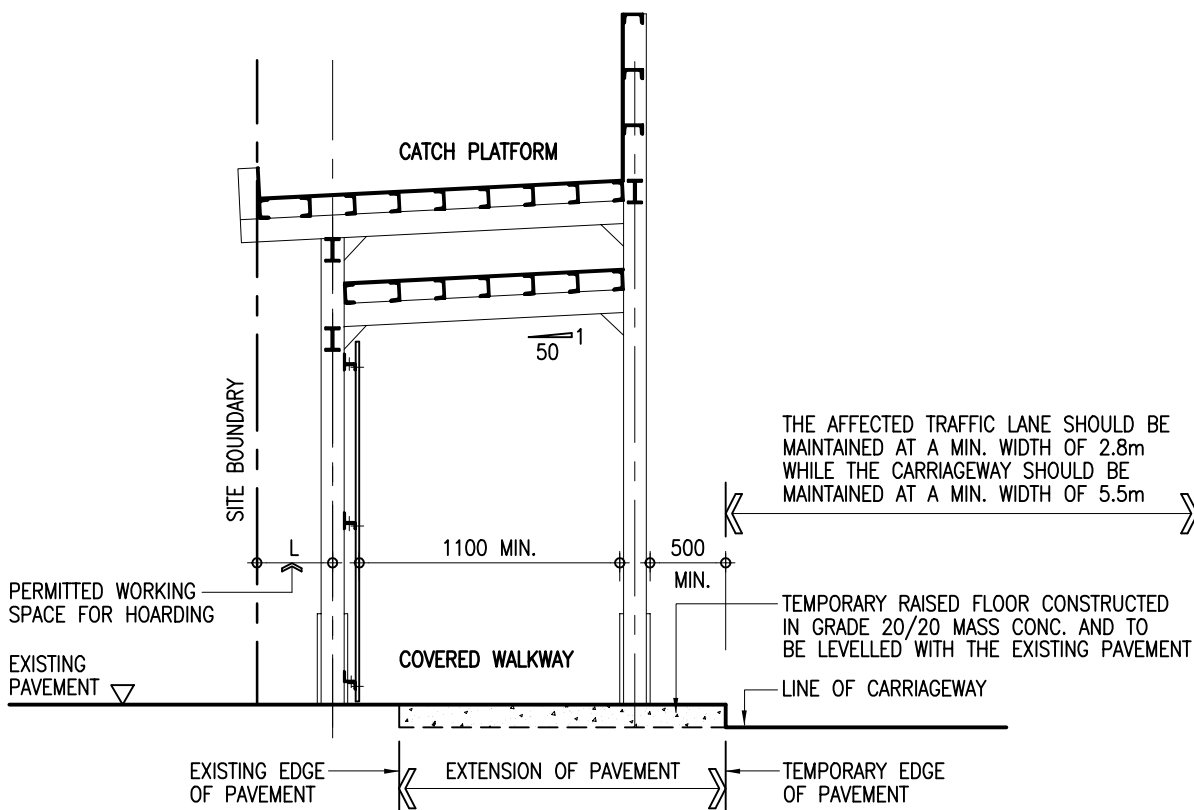
10mm TH M.S. BASE PLATE FIXED ON CONC. FOOTING BY 4 NOS. M12 HOLDING DOWN BOLT WITH NUTS & WASHERS (SEE STRUCTURAL DRAWINGS FOR DETAILS)

70x70x6x50mm LONG M.S. ANGLE CLEAT WITH 8x25mm LONG HORIZONTAL SLOT FOR BOLT & NUT FIXING WELDED TO R.S. UNIVERSAL POST

1
DETAIL
D/A06 1 : 10



Title COVERED WALKWAY WITH TYPE D HOARDING - DOUBLE DECK CATCH PLATFORM CONSTRUCTION DETAILS 4	Scale 1 : 10	Drawing No. 9711/D/A06
	Checked by CPM303 C.F. HO <i>RJ</i>	Date 18 Sept. 2007
		Date 19 Sept. 2007



TYPICAL DETAILS OF COVERED WALKWAY WITH DOUBLE DECK CATCH PLATFORM HOARDING SITED ON CARRIAGEWAY/NARROW PAVEMENT

1 : 50



ARCHITECTURAL
SERVICES
DEPARTMENT

Title
**COVERED WALKWAY WITH
TYPE D HOARDING - DOUBLE DECK CATCH PLATFORM
CONSTRUCTION DETAILS 5**

Scale
1 : 50

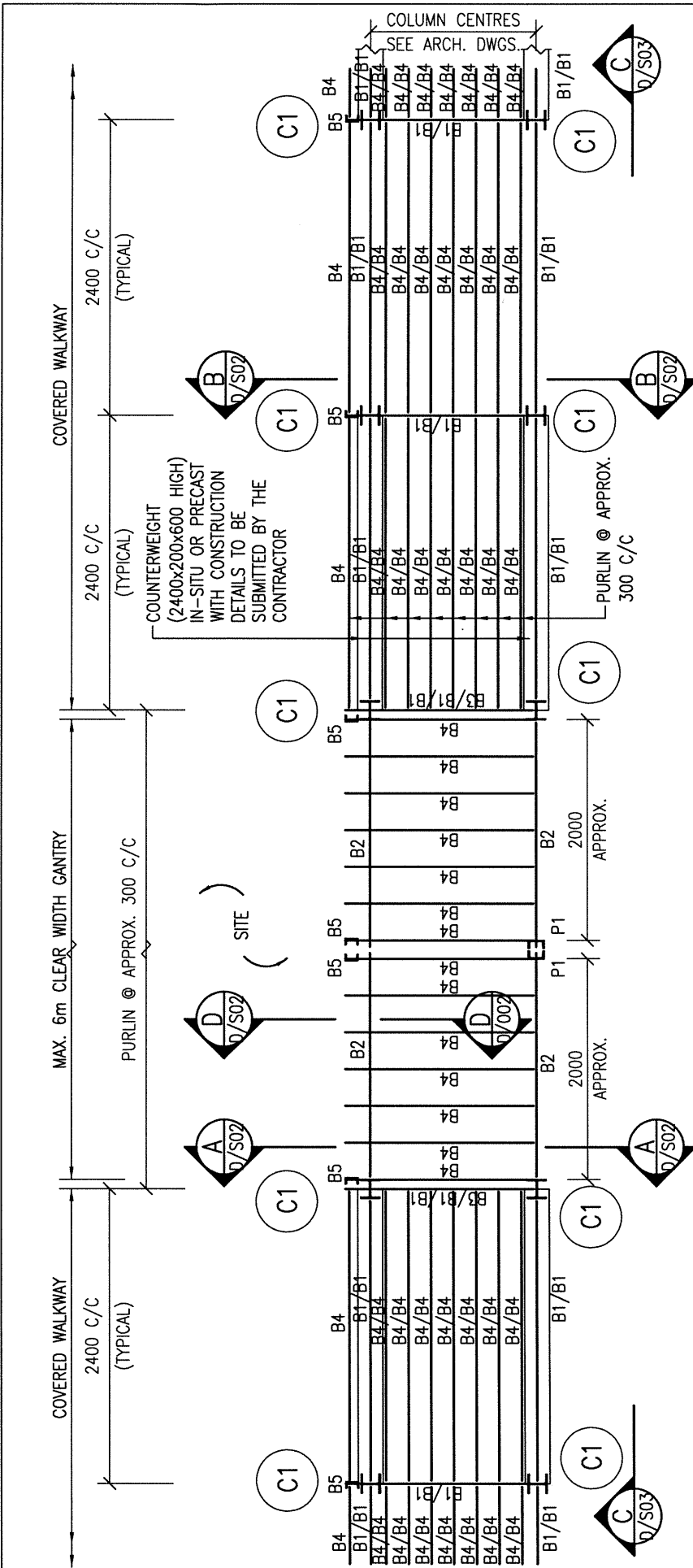
Drawing No.
9711/D/A07

Checked by
CPM303 C.F. HO

Date
18 Sept. 2007

Approved by
AD(PS) K.K. LEUNG

Date
19 Sept. 2007



TOP PLAN OF GANTRY AND COVERED WALKWAY

- NOTES :
1. ALL WELDING TO BE 6mm F.W. ALL ROUND IN ACCORDANCE WITH BS EN 1011-1 UNLESS OTHERWISE STATED.
 2. ALL BOLTS TO BE GRADE 4.6 BLACK BOLTS TO BS 4190.
 3. ALL STRUCTURAL SECTIONS SHALL BE WELDABLE STRUCTURAL STEEL OF GRADE S275 UNLESS OTHERWISE SPECIFIED.
 4. THE DETAILS OF GANTRY MAY BE MODIFIED BY PROJECT OFFICER TO SUIT ACTUAL SITE CONDITIONS.
 5. ALL STEEL WORKS SHALL BE MANUALLY CLEANED TO GS CL. 15.61 (i), PRIMED WITH ONE COAT OF OIL BASED ZINC PHOSPHATE PRIMER AND FINISHED WITH TWO FINISHING COATS OF SYNTHETIC PAINT OF ALKYD RESIN BASE.

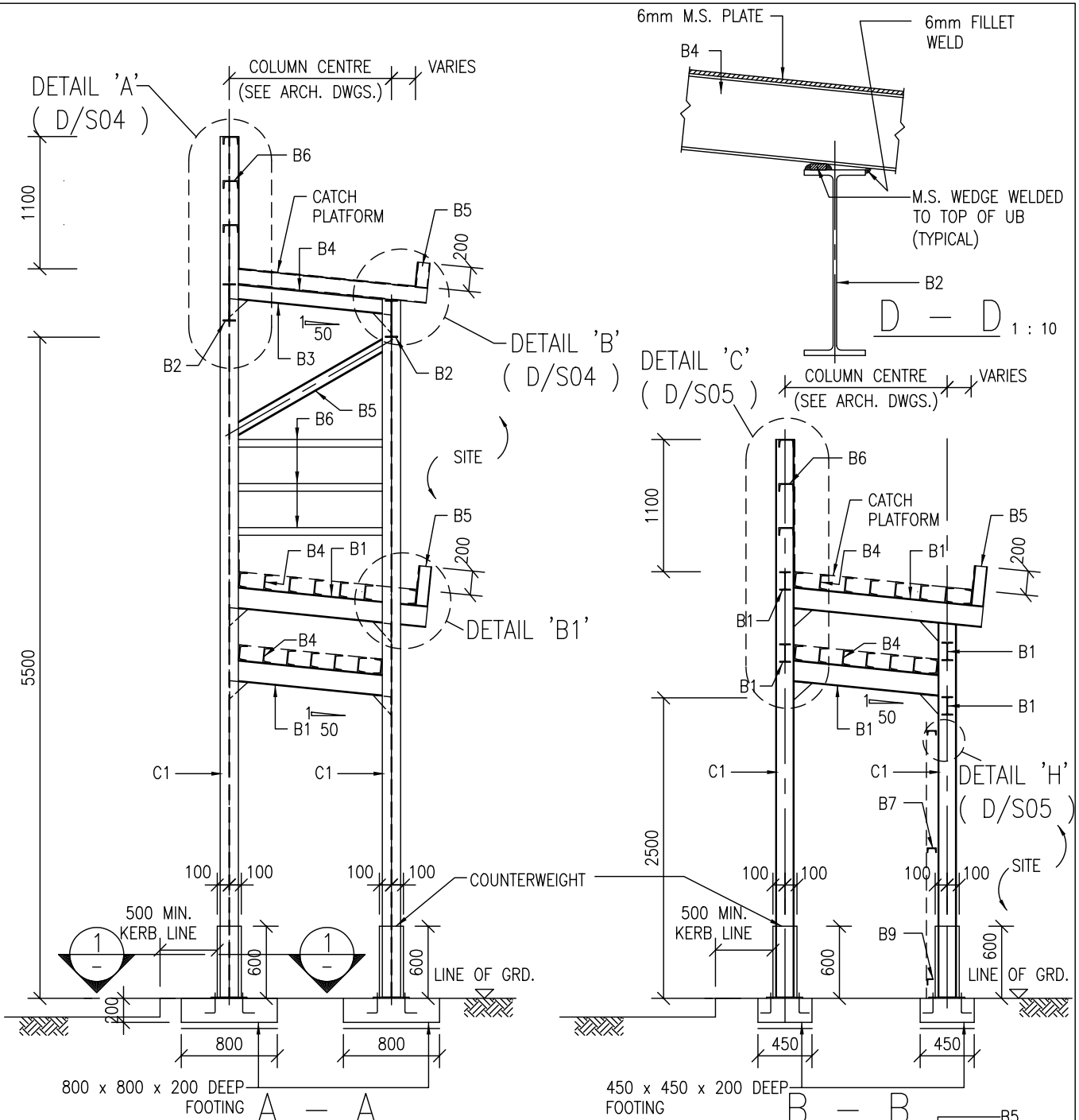
STEEL MEMBER SCHEDULE

MEMBER MARK	MEMBER SIZE
C1	152 x 152 x 23 UC
B1	152 x 89 x 16 UB
B2	305 x 102 x 28 UB
B3	127 x 76 x 13 UB
B4, B6, P1	127 x 64 x 14.9 CHANNEL
B5	102 x 51 x 10.42 CHANNEL
B7	76 x 38 x 6.7 CHANNEL
B8	70 x 70 x 6 ANGLE
B9	50 x 50 x 5 ANGLE

THE SKETCHES ARE PREPARED TO MEET THE GENERAL REQUIREMENTS AS SPECIFIED IN P/NAP APP-102 ISSUED BY BD. SIZES OF FOOTINGS MAY BE MODIFIED BY PSE TO SUIT ACTUAL SITE CONDITIONS.



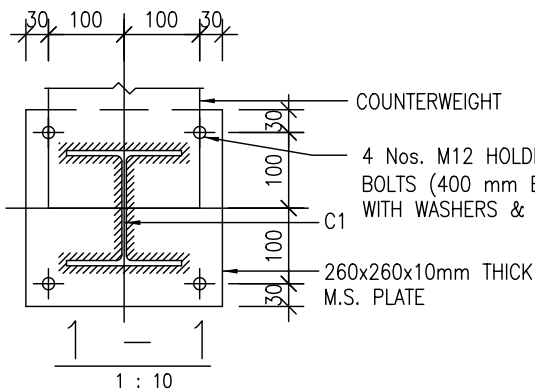
Title COVERED WALKWAY WITH TYPE D HOARDING - DOUBLE DECK CATCH PLATFORM STRUCTURAL DETAILS 1		Scale 1 : 50	Drawing No. 9711/D/S01 (REV. B)
Checked by CSE/1 M.K. WONG	Date 24 FEB 2020	Approved by AD(SE) K.L. TSE	Date 26 FEB 2020



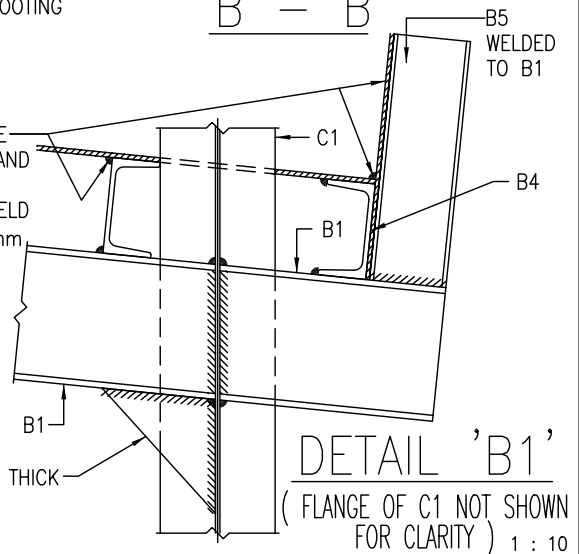
(TYPICAL SECTION OF COVERED WALKWAY)

NOTES :-

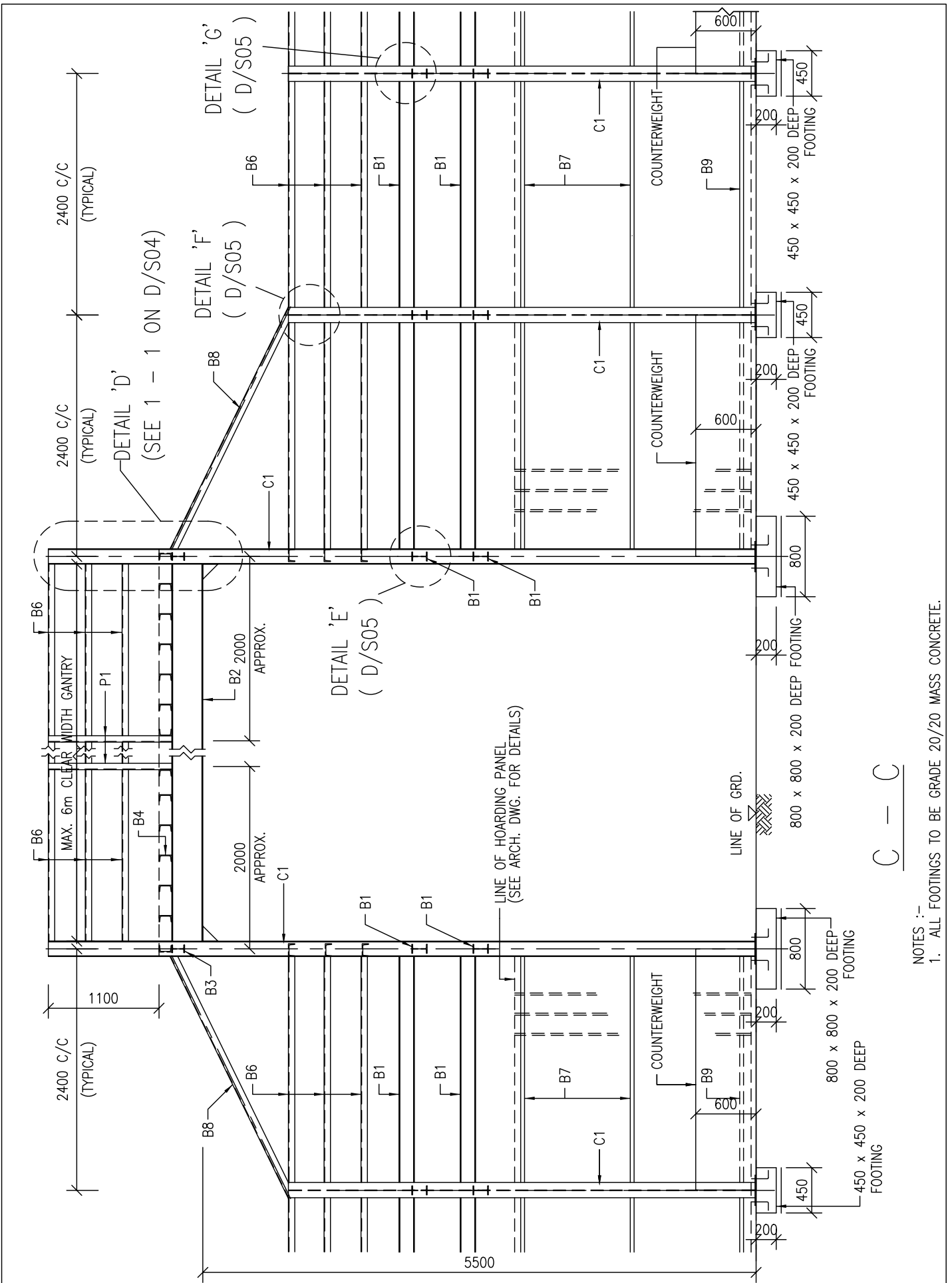
1. ALL FOOTINGS TO BE GRADE 20/20 MASS CONCRETE.



6mm THICK M.S. PLATE WELDED TO CHANNEL AND ROOF PLATE BY 6mm. INTERMITTENT FILLET WELD (50mm LONG AT 400mm CLEAR SPACING)



ARCHITECTURAL SERVICES DEPARTMENT	Title COVERED WALKWAY WITH TYPE D HOARDING - DOUBLE DECK CATCH PLATFORM STRUCTURAL DETAILS 2		Scale 1 : 50 1 : 10	Drawing No. 9711/D/S02
	Checked by CSE/1 C.T. WONG <i>C.T. Wong</i>	Date 11 Oct. 2007	Approved by AD(SE) W.W. LI <i>W.W. Li</i>	Date 11 Oct. 2007



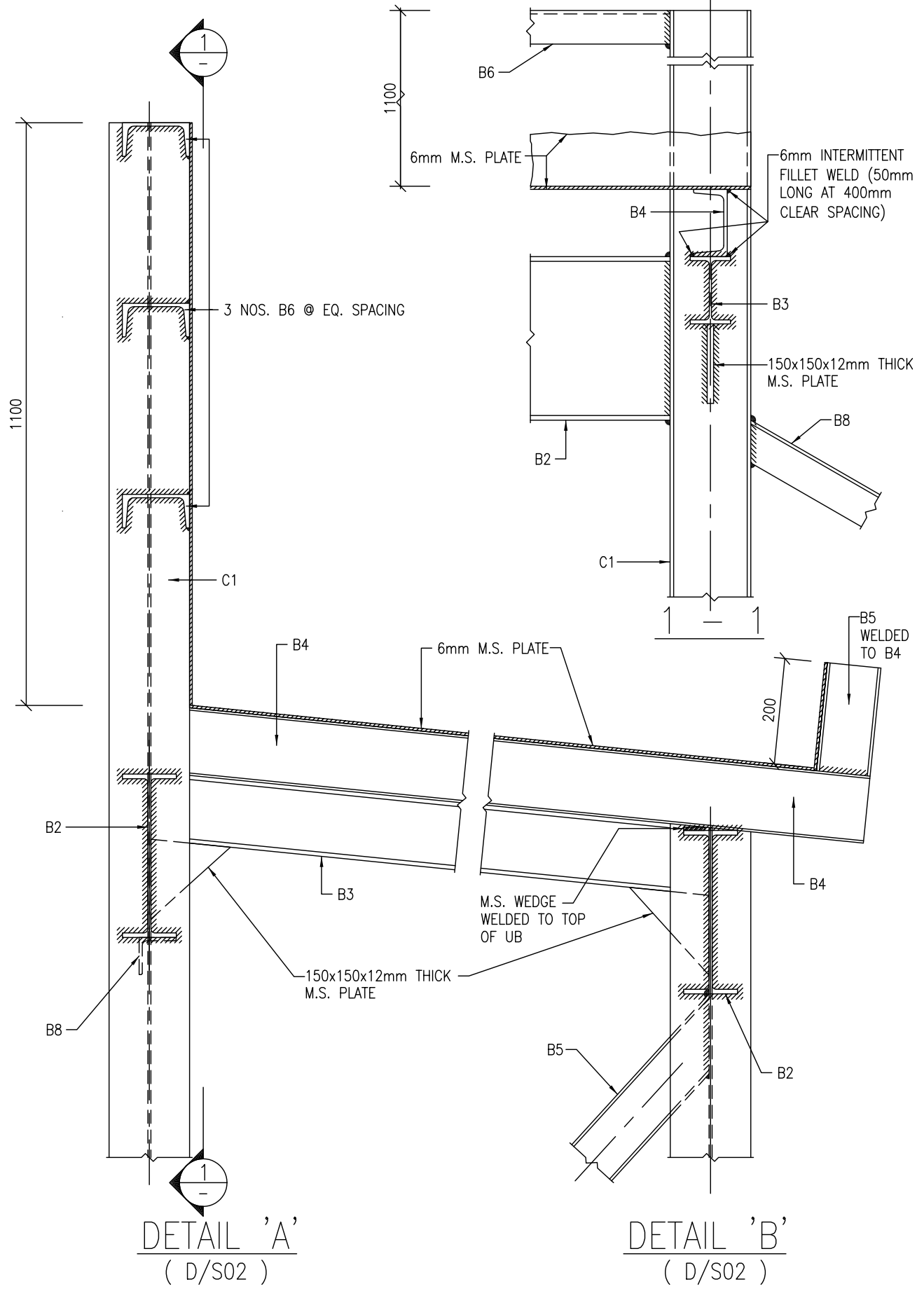
NOTES :-
 1. ALL FOOTINGS TO BE GRADE 20/20 MASS CONCRETE.


C - C



ARCHITECTURAL
 SERVICES
 DEPARTMENT

Title COVERED WALKWAY WITH TYPE D HOARDING - DOUBLE DECK CATCH PLATFORM STRUCTURAL DETAILS 3		Scale 1 : 50	Drawing No. 9711/D/S03
Checked by CSE/1 C.T. WONG <i>C.T. Wong</i>	Date 11 Oct. 2007	Approved by AD(SE) W.W. LI <i>W.W. Li</i>	Date 11 Oct. 2007

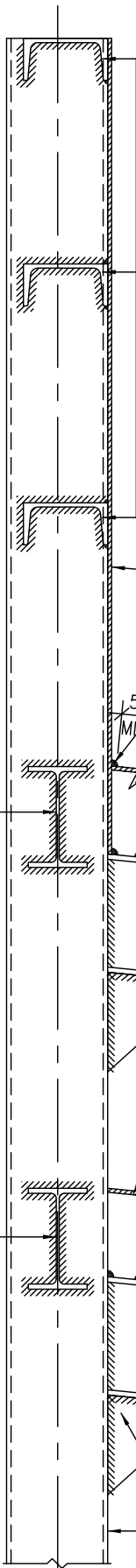


 ARCHITECTURAL SERVICES DEPARTMENT	Title TYPE D HOARDING - COVERED WALKWAY WITH DOUBLE DECK CATCH PLATFORM STRUCTURAL DETAILS 4		Scale 1 : 10	Drawing No. 9711/D/S04
	Checked by CSE/1 C.T. WONG <i>C.T. Wong</i>	Date 11 Oct. 2007	Approved by AD(SE) W.W. LI <i>W.W. Li</i>	Date 11 Oct. 2007

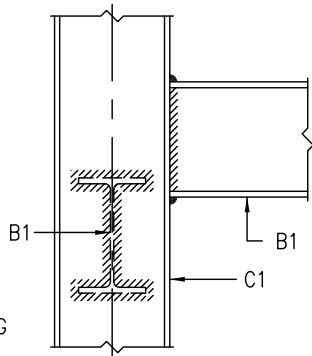
1100

B1

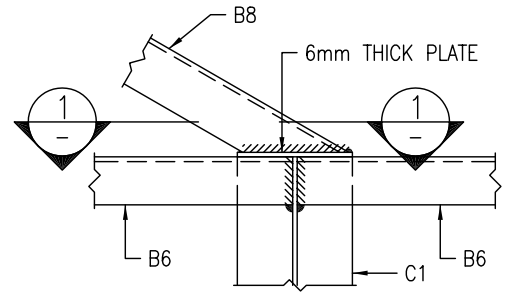
B1



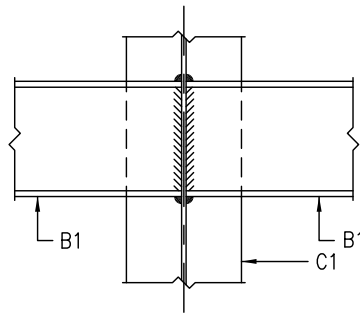
DETAIL 'C' 1 : 10
(D/S02)



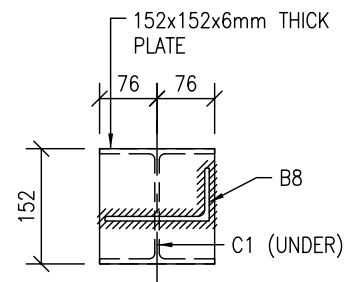
DETAIL 'E' 1 : 10
(D/S03)



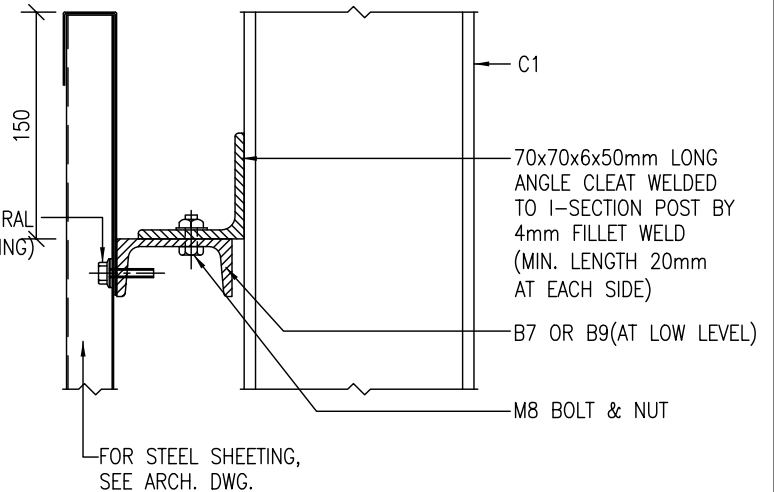
DETAIL 'F' 1 : 10
(FLANGE OF C1 NOT SHOWN FOR CLARITY)
(D/S03)



DETAIL 'G' 1 : 10
(FLANGE OF C1 NOT SHOWN FOR CLARITY)
(D/S03)



1 - 1 1 : 10
(B6 NOT SHOWN FOR CLARITY)

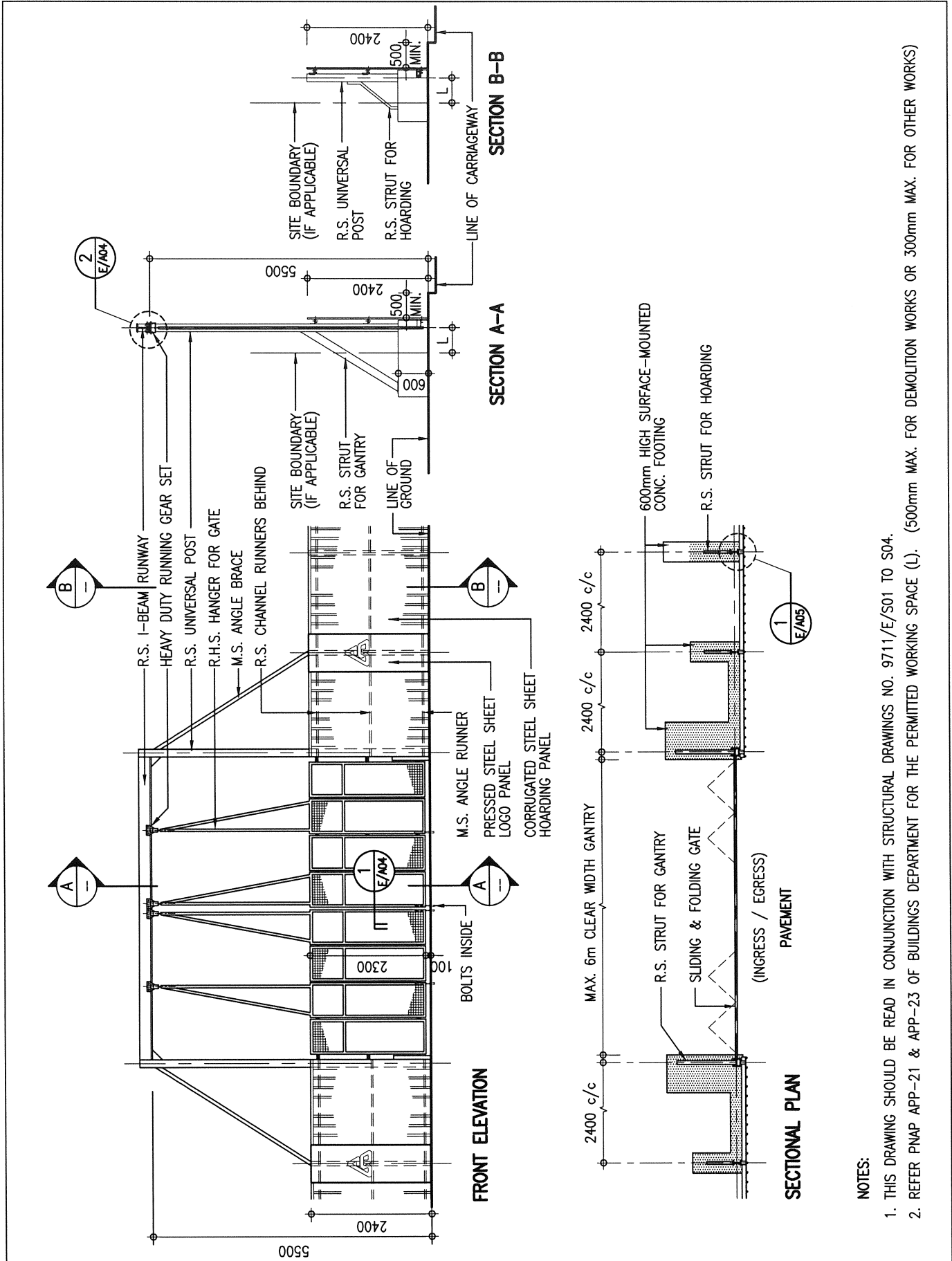


DETAIL 'H' 1 : 5
(D/S02)




ARCHITECTURAL SERVICES DEPARTMENT

Title TYPE D HOARDING - DOUBLE DECK CATCH PLATFORM STRUCTURAL DETAILS 5		Scale 1 : 10 1 : 5	Drawing No. 9711/D/S05
Checked by CSE/1 C.T. WONG <i>Wong</i>	Date 11 Oct. 2007	Approved by AD(SE) W.W. LI <i>Li</i>	Date 11 Oct. 2007




NOTES:

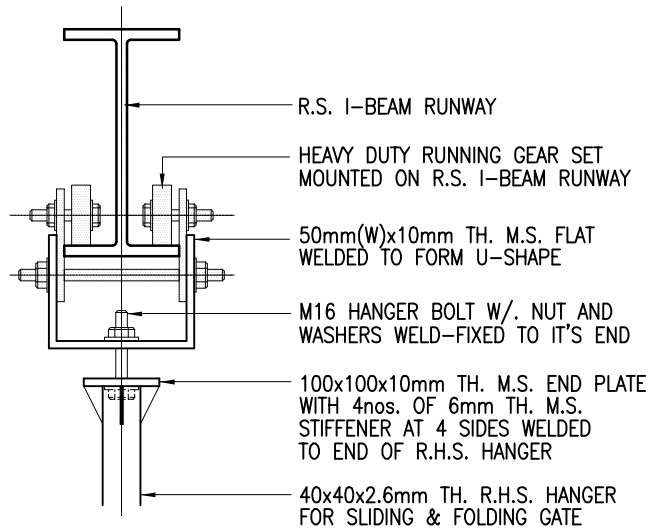
1. THIS DRAWING SHOULD BE READ IN CONJUNCTION WITH STRUCTURAL DRAWINGS NO. 9711/E/S01 TO S04.
2. REFER PNAP APP-21 & APP-23 OF BUILDINGS DEPARTMENT FOR THE PERMITTED WORKING SPACE (L). (500mm MAX. FOR DEMOLITION WORKS OR 300mm MAX. FOR OTHER WORKS)

 ARCHITECTURAL SERVICES DEPARTMENT	Title CORRUGATED STEEL FENCE TYPE E HOARDING - (SURFACE-MOUNTED FOOTING) GENERAL PLANS		Scale 1 : 100	Drawing No. 9711/E/A01
	Checked by CA/ASC W.H. LEE <i>W.H. Lee</i>	Date 11.4.2018	Approved by AD(PS) C.K. HUI <i>C.K. Hui</i>	Date 12.4.2018

**GENERAL NOTES FOR CONSTRUCTION OF
HOARDINGS, COVERED WALKWAYS, AND ASSOCIATED GANTRIES AND CATCH PLATFORMS:**

1. THE ARCHITECTURAL HOARDING DRAWINGS SHOULD BE READ IN CONJUNCTION WITH THE APPROPRIATE STRUCTURAL HOARDING DRAWINGS AS REFERRED ON THE DRAWINGS.
2. IN DETERMINING THE TYPE OF HOARDING/COVERED WALKWAY CONSTRUCTION AND THE ASSOCIATED PROVISIONS TO SUIT THE PURPOSE, REFERENCE AND PROVISIONS SHOULD ALWAYS BE MADE TO MEET THE REQUIREMENTS OF THE CURRENTLY ENFORCED "CODE OF PRACTICE FOR DEMOLITION OF BUILDINGS" AND RELEVANT PNAPS ISSUED BY BUILDINGS DEPARTMENT.
3. A MINIMUM CLEAR WIDTH OF 1.1m AND RAISED FLOOR SHOULD BE PROVIDED FOR HOARDING/COVERED WALKWAY LOCATED ON CARRIAGEWAY. FOR HOARDING/COVERED WALKWAY LOCATED ON FOOTPATH, THE CLEAR WIDTH SHOULD BE RELATED TO THE EXISTING PAVEMENT WIDTH AND BE PROVIDED ACCORDING TO THOSE AS PROMULGATED IN PNAP APP-23 ISSUED BY THE BUILDINGS DEPARTMENT.
4. A TEMPORARY LIGHTING SYSTEM AS PROMULGATED IN PNAP APP-23 SHOULD BE PROVIDED FOR ALL COVERED WALKWAYS OF BUILDING SITES
5. ALL METALWORK REFERRED IN THE DRAWINGS SHOULD COMPLY WITH SECTION 17 OF THE GENERAL SPECIFICATION FOR BUILDING 2017 EDITION OR THEREAFTER.
6. ALL CORRUGATED STEEL SHEET PANELS, CAPPINGS AND TOE SHEETS SHOULD BE OF GALVANIZED STEEL WITH MINIMUM ZINC COATING CONTENT 350g/m² WITH TRIPLE-SPOT TEST, AND BE FINISHED ON BOTH SURFACES WITH SYNTHETIC PAINT OF ALKYD RESIN BASE IN ACCORDANCE WITH SECTION 21 OF THE GENERAL SPECIFICATION FOR BUILDING 2017 EDITION PUBLISHED BY THE ARCHITECTURAL SERVICES DEPARTMENT OR THEREAFTER.
7. ALL EXPOSED SURFACES OF METALWORK SHOULD BE PAINTED IN MID-GREY COLOUR (BS5252: 10 A 07) UNLESS STATED OTHERWISE.
8. ArchSD LOGO SHOULD BE PAINTED AT A 3-BAY INTERVAL. IF THERE ARE OTHER LOGOS TO BE DISPLAYED, THE SPECIFIED LOGO AND THE ArchSD LOGO SHOULD BE PAINTED ALTERNATIVELY AT A 3-BAY INTERVAL.

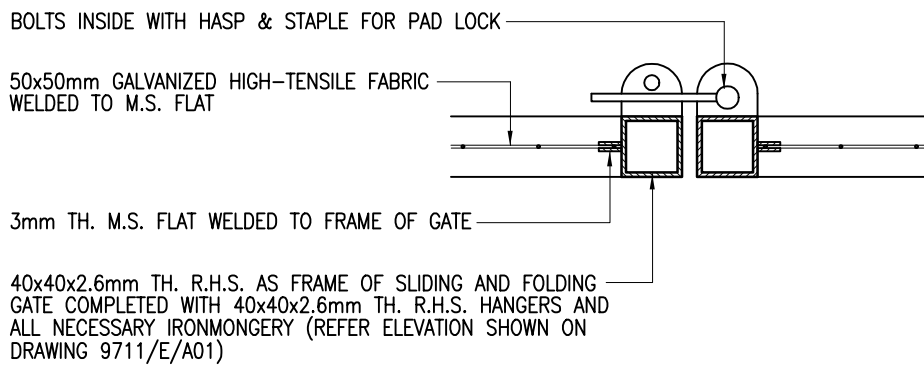
 ARCHITECTURAL SERVICES DEPARTMENT	Title CORRUGATED STEEL FENCE TYPE E HOARDING - (SURFACE-MOUNTED FOOTING) GENERAL NOTES	Scale NIL	Drawing No. 9711/E/A02
	Checked by CA/ASC W.H. LEE <i>W.H. Lee</i>	Date 11.4.2018	Approved by AD(PS) C.K. HUI <i>C.K. Hui</i>



2
E/A04

DETAILS OF RUNNING GEAR †
1 : 10

† THIS FIXING DETAIL IS FOR REFERENCE ONLY, SAMPLE OF RUNNING GEAR SET AND FIXING METHOD SHOULD BE SUBMITTED FOR APPROVAL BEFORE ORDERING.



1
E/A04

DETAILS OF SLIDING AND FOLDING GATE
1 : 5



ARCHITECTURAL
SERVICES
DEPARTMENT

Title
**TYPE E HOARDING - (SURFACE-MOUNTED FOOTING)
CONSTRUCTION DETAILS 2**

Scale
1 : 5

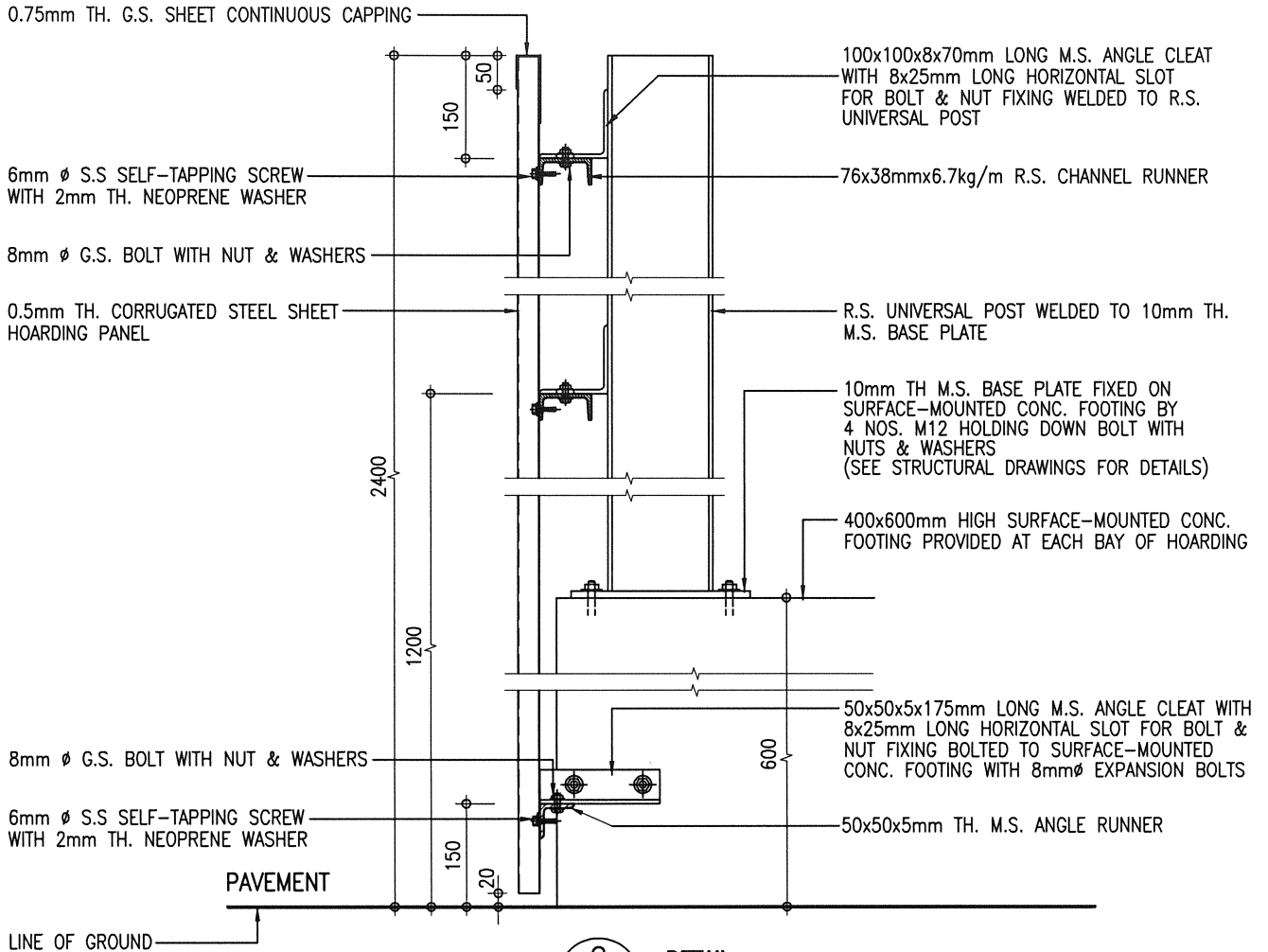
Drawing No.
9711/E/A04

Checked by
CPM303 C.F. HO

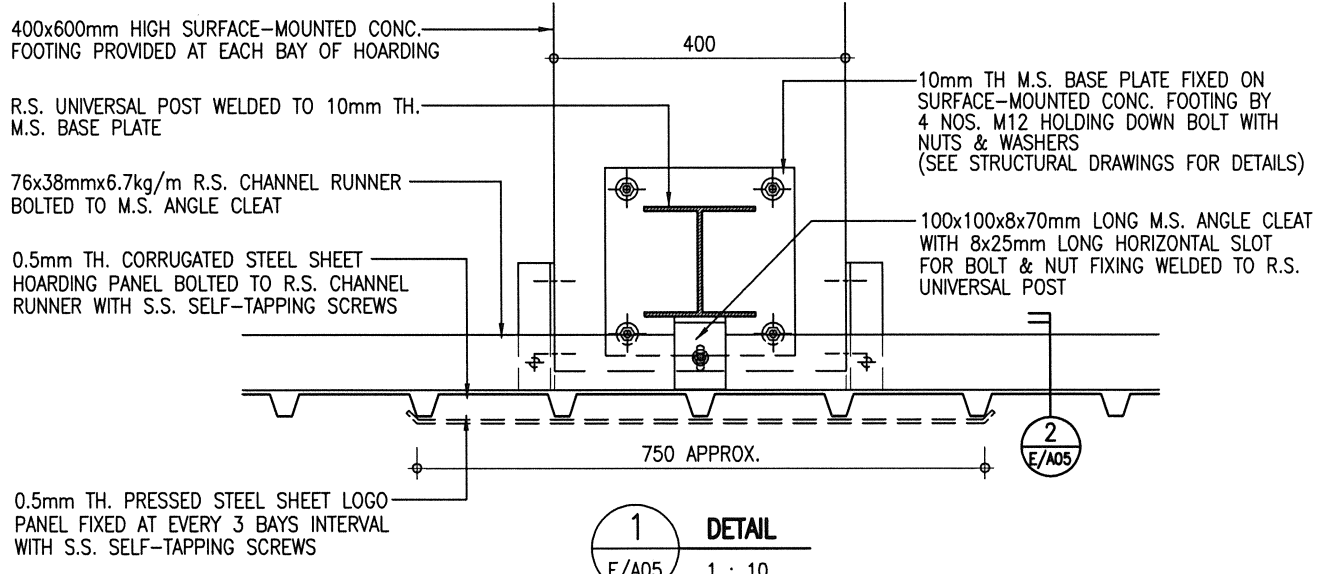
Date
18 Sept. 2007

Approved by
AD(PS) K.K. LEUNG

Date
19 Sept. 2007



2 DETAIL
E/A05 1 : 10

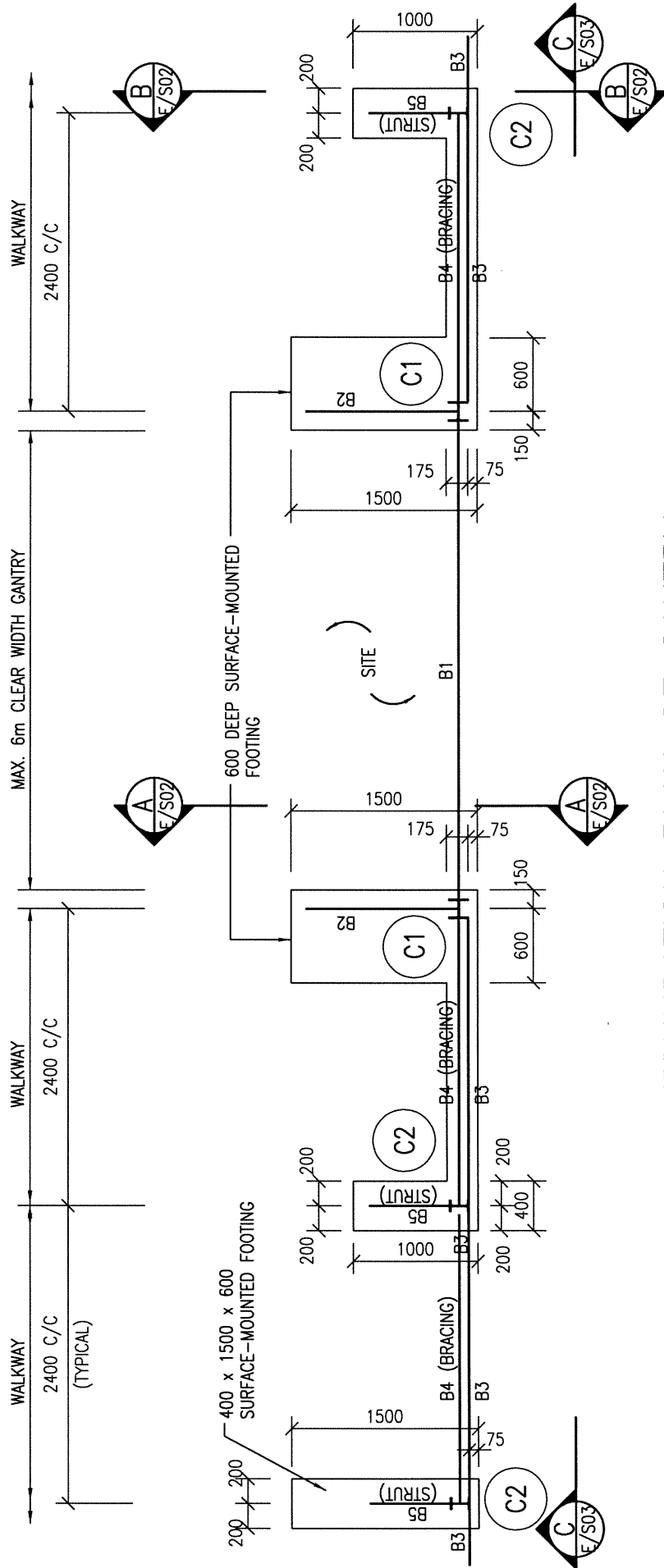


1 DETAIL
E/A05 1 : 10



ARCHITECTURAL SERVICES DEPARTMENT	Title TYPE E HOARDING - CORRUGATED STEEL FENCE (SURFACE-MOUNTED FOOTING) CONSTRUCTION DETAILS 3	Scale 1 : 10	Drawing No. 9711/E/A05
	Checked by CA/ASC W.H. LEE <i>W.H. Lee</i>	Date 11.4.2018	Approved by AD(PS) C.K. HUI <i>C.K. Hui</i>

CAD Ref. - 9711_e05.dwg--1:10



FOUNDATION PLAN OF GANTRY

- NOTES :
1. ALL WELDING TO BE 6mm F.W. ALL ROUND IN ACCORDANCE WITH BS EN 1011-1 UNLESS OTHERWISE STATED.
 2. ALL BOLTS TO BE GRADE 4.6 BLACK BOLTS TO BS 4190.
 3. ALL STRUCTURAL SECTIONS SHALL BE WELDABLE STRUCTURAL STEEL OF GRADE S275 UNLESS OTHERWISE SPECIFIED.
 4. THE DETAILS OF GANTRY MAY BE MODIFIED BY PROJECT OFFICER TO SUIT ACTUAL SITE CONDITIONS.
 5. ALL STEEL WORKS SHALL BE MANUALLY CLEANED TO GS CL. 15.61 (i), PRIMED WITH ONE COAT OF OIL BASED ZINC PHOSPHATE PRIMER AND FINISHED WITH TWO FINISHING COATS OF SYNTHETIC PAINT OF ALKYD RESIN BASE.

STEEL MEMBER SCHEDULE

MEMBER MARK	MEMBER SIZE
C1	152 x 152 x 23 UC
C2	152 x 89 x 16 UB
B1	254 x 146 x 37 UB
B2	152 x 76 x 17.88 CHANNEL
B3	76 x 38 x 6.7 CHANNEL
B4	70 x 70 x 6 ANGLE
B5	50 x 50 x 5 ANGLE

THE SKETCHES ARE PREPARED TO MEET THE GENERAL REQUIREMENTS AS SPECIFIED IN PNAF APP-102 ISSUED BY BD. SIZES OF FOOTINGS MAY BE MODIFIED BY PSE TO SUIT ACTUAL SITE CONDITIONS.



ARCHITECTURAL
SERVICES
DEPARTMENT

Title
TYPE E HOARDING - (SURFACE-MOUNTED FOOTING)
CORRUGATED STEEL FENCE
STRUCTURAL DETAILS 1

Scale
1 : 50

Drawing No.

9711/E/S01

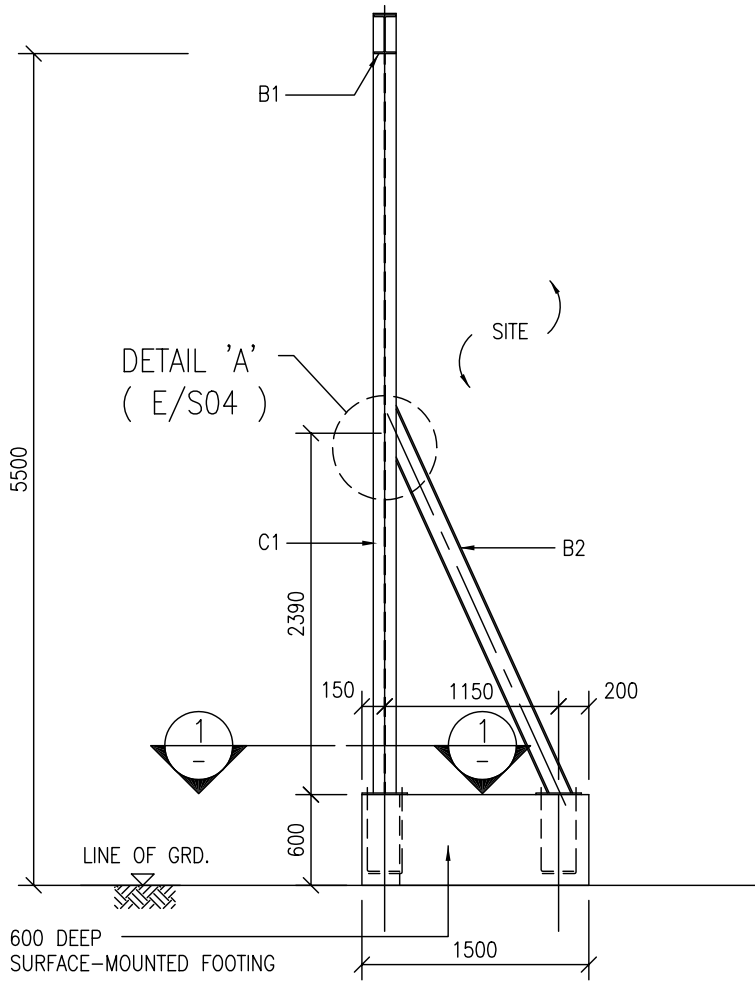
(REV. B)

Checked by
CSE/1 M.K. WONG

Date
24 FEB 2020

Approved by
AD(SE) K.L. TSE

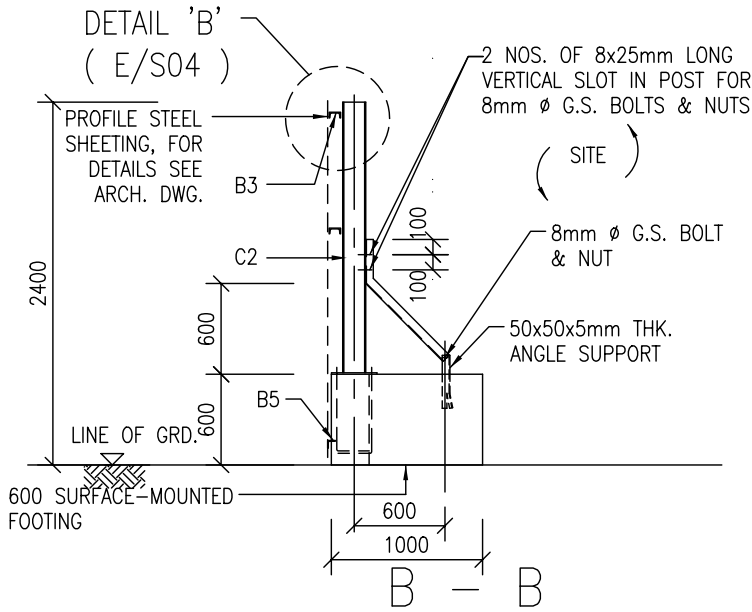
Date
26 FEB 2020



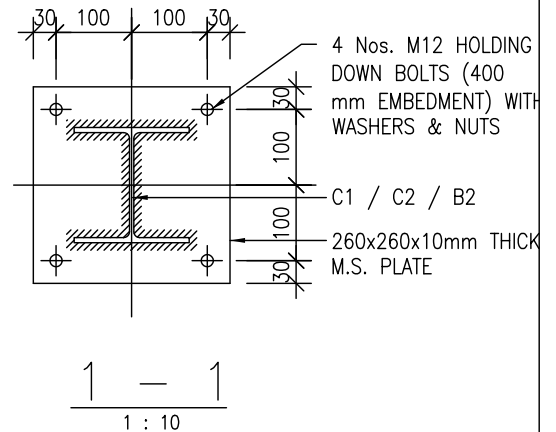
A - A
(GANTRY FRAME)

NOTES :-

1. ALL FOOTINGS TO BE GRADE 20/20 MASS CONCRETE.
2. TO BE USED WHEN PAVEMENT IS CONSTRUCTED WITH CONCRETE, CONCRETE PAVER BLOCK OR TARMAC. CONSULT PSE FOR OTHER SURFACE CONDITIONS ON ITS APPLICABILITY.

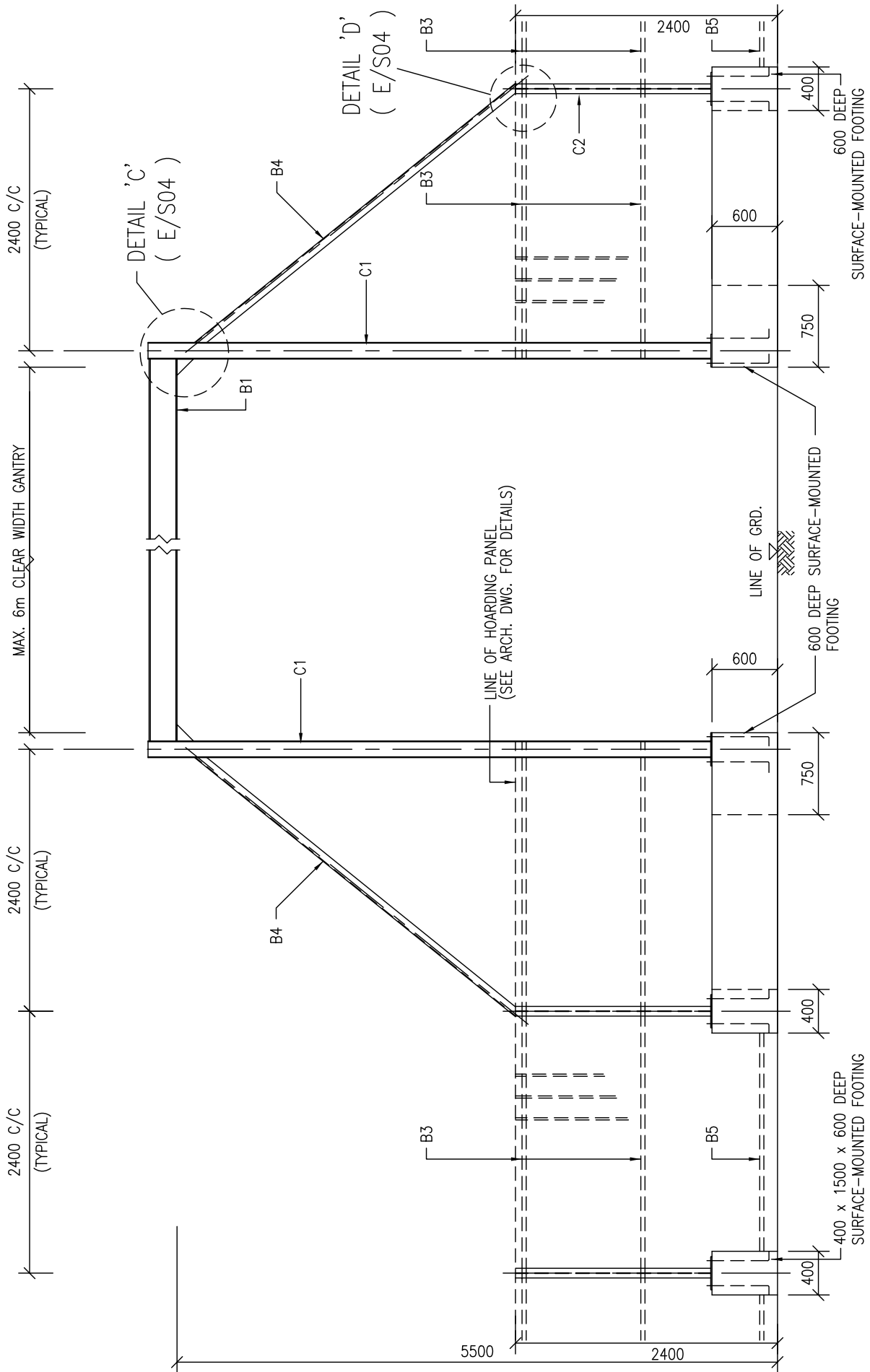


B - B




1 - 1
1 : 10

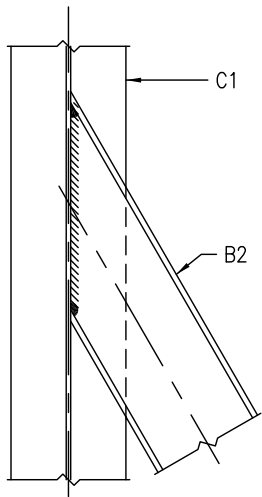
<p style="margin: 0;">ARCHITECTURAL SERVICES DEPARTMENT</p>	<p>Title</p> <p style="text-align: center;">CORRUGATED STEEL FENCE TYPE E HOARDING - (SURFACE-MOUNTED FOOTING) STRUCTURAL DETAILS 2</p>	<p>Scale</p> <p style="text-align: center;">1 : 50 1 : 10</p>	<p>Drawing No.</p> <p style="text-align: center;">9711/E/S02</p>
	<p>Checked by</p> <p style="text-align: center;">CSE/1 C.T. WONG <i>C.T. Wong</i></p>	<p>Date</p> <p style="text-align: center;">11 Oct. 2007</p>	<p>Approved by</p> <p style="text-align: center;">AD(SE) W.W. LI <i>W.W. Li</i></p>



C - C

NOTES :-
1. ALL FOOTINGS TO BE GRADE 20/20 MASS CONCRETE.

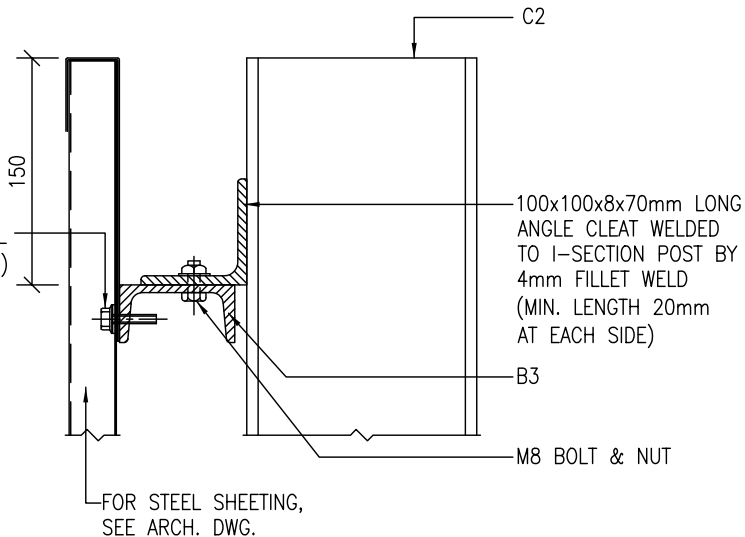
 ARCHITECTURAL SERVICES DEPARTMENT	Title CORRUGATED STEEL FENCE TYPE E HOARDING - (SURFACE-MOUNTED FOOTING) STRUCTURAL DETAILS 3		Scale 1 : 50	Drawing No. 9711/E/S03
	Checked by CSE/1 C.T. WONG <i>C.T. Wong</i>	Date 11 Oct. 2007	Approved by AD(SE) W.W. LI <i>W.W. Li</i>	Date 11 Oct. 2007



DETAIL 'A' 1 : 10

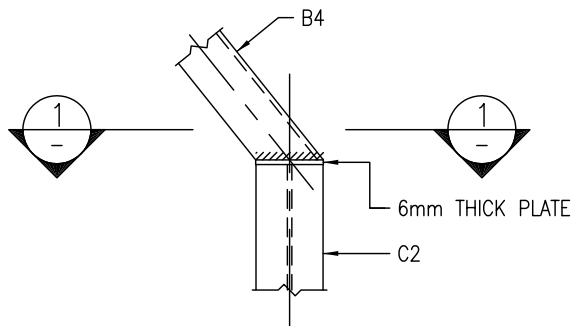
(FLANGE OF C1 NOT SHOWN FOR CLARITY)
(E/S02)

(SEE ARCHITECTURAL
STANDARD DRAWING)



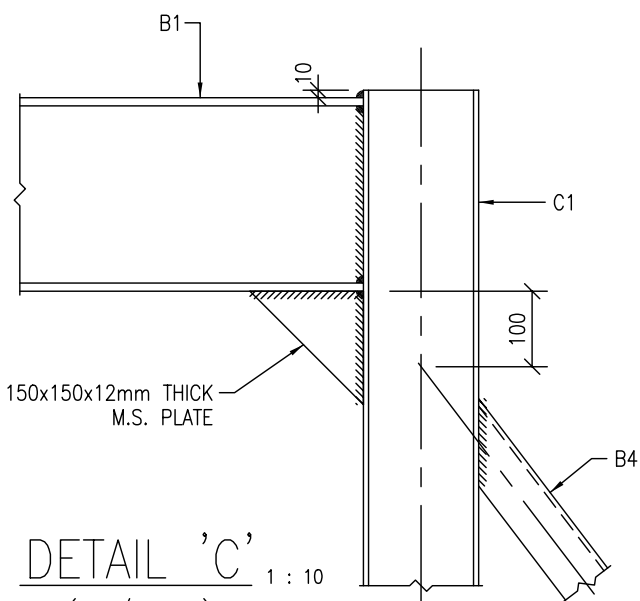
DETAIL 'B' 1 : 5

(E/S02)



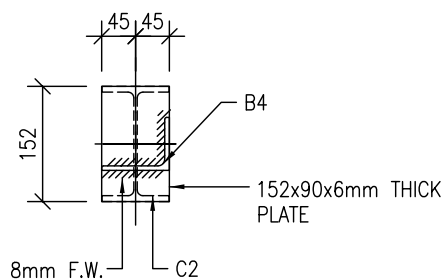
DETAIL 'D' 1 : 10

(B3 NOT SHOWN FOR CLARITY)
(E/S03)



DETAIL 'C' 1 : 10

(E/S03)



1 - 1 1 : 10



ARCHITECTURAL
SERVICES
DEPARTMENT

Title
TYPE E HOARDING - (SURFACE-MOUNTED FOOTING)
CORRUGATED STEEL FENCE
STRUCTURAL DETAILS 4

Scale
1 : 10
1 : 5

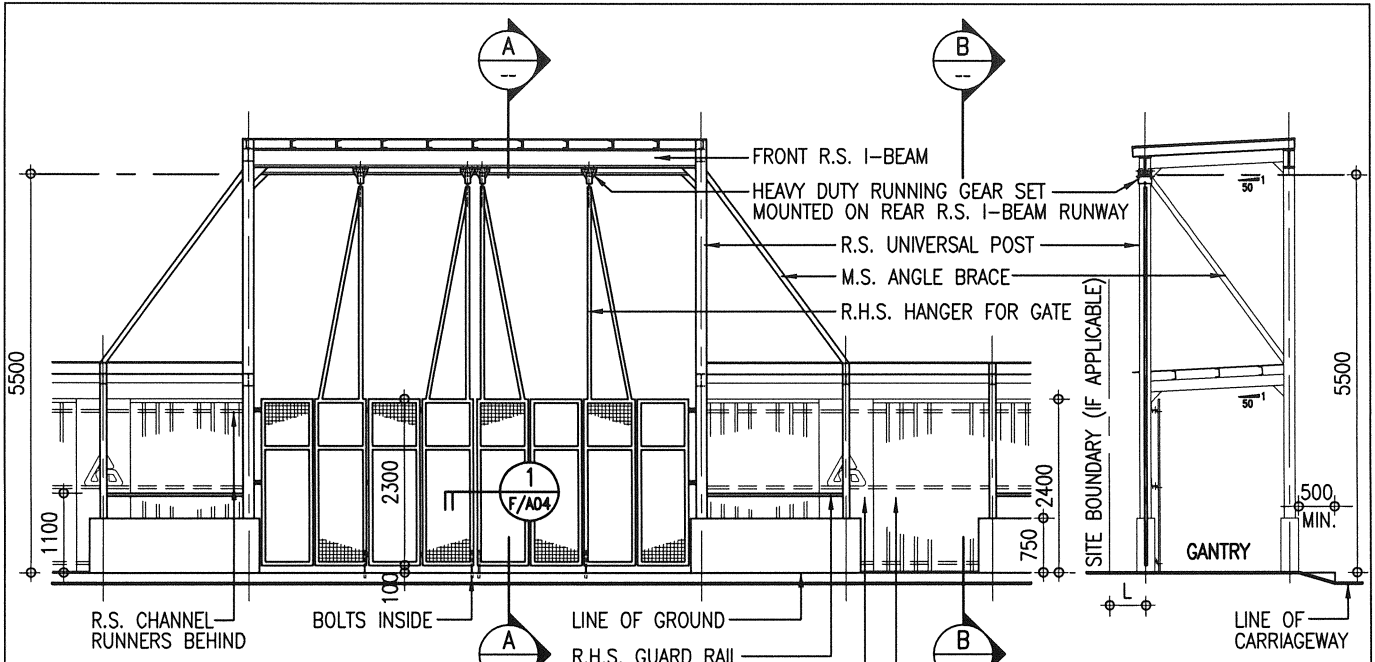
Drawing No.
9711/E/S04

Checked by
CSE/1 C.T. WONG *C.T. Wong*

Date
11 Oct. 2007

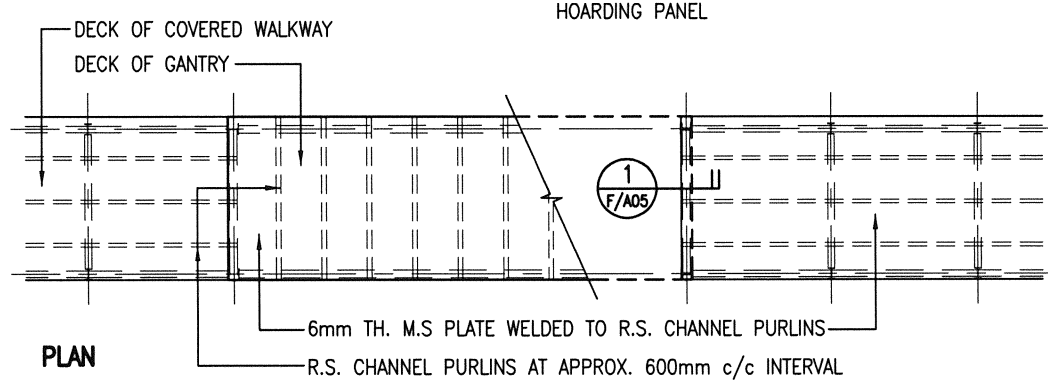
Approved by
AD(SE) W.W. LI *W.W. Li*

Date
11 Oct. 2007

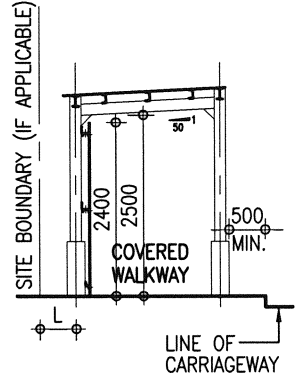


FRONT ELEVATION

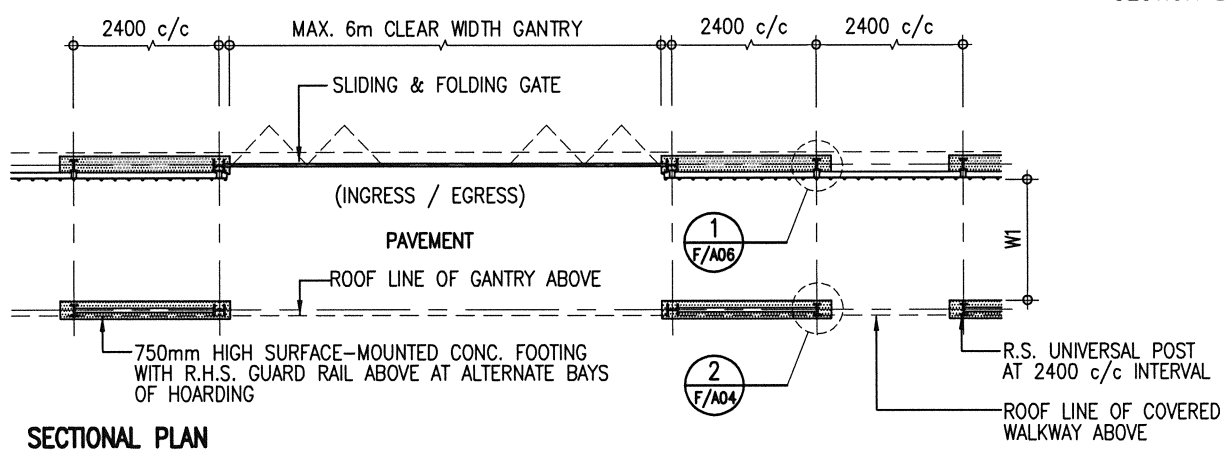
SECTION A-A



PLAN




SECTION B-B



SECTIONAL PLAN


NOTES:

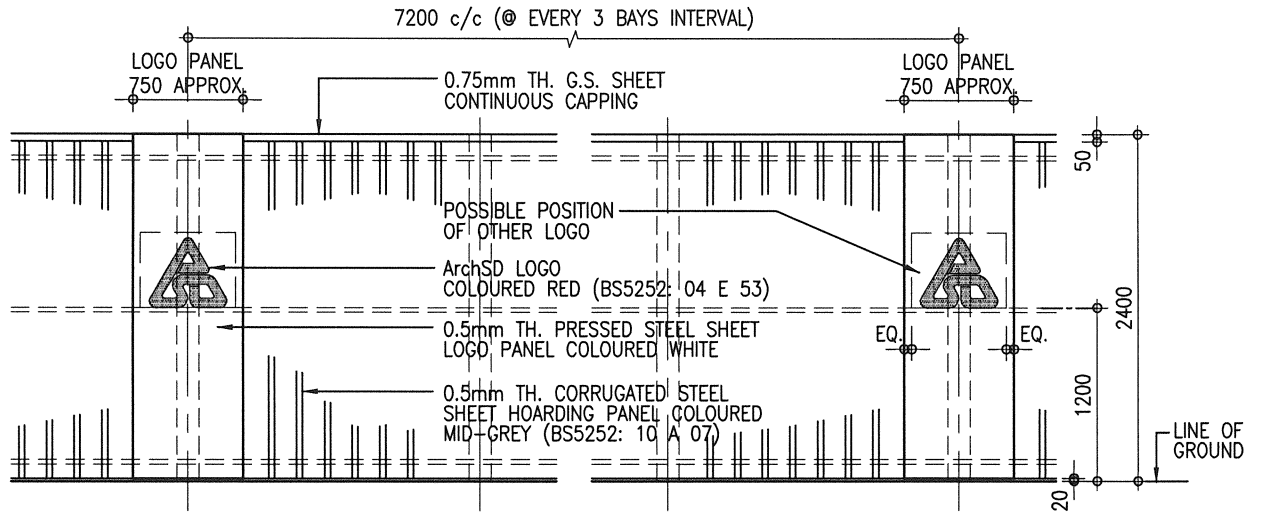
1. THIS DRAWING SHOULD BE READ IN CONJUNCTION WITH STRUCTURAL DRAWINGS NO. 9711/F/S01 TO S05.
2. REFER PT. 3 OF GENERAL NOTES IN DRAWING NO. 9711/F/A02 FOR THE REQUIRED CLEAR WIDTH (W1) OF COVERED WALKWAY.
3. REFER PNAP APP-21 & APP-23 OF BUILDINGS DEPARTMENT FOR THE PERMITTED WORKING SPACE (L).
(500mm MAX. FOR DEMOLITION WORKS OR 300mm MAX. FOR OTHER WORKS)

 ARCHITECTURAL SERVICES DEPARTMENT	Title COVERED WALKWAY TYPE F HOARDING - (SURFACE-MOUNTED FOOTING) GENERAL PLANS	Scale 1 : 100	Drawing No. 9711/F/A01
	Checked by CA/ASC W.H. LEE <i>W.H. Lee</i>	Date 11.4.2018	Approved by AD(PS) C.K. HUI <i>C.K. Hui</i>

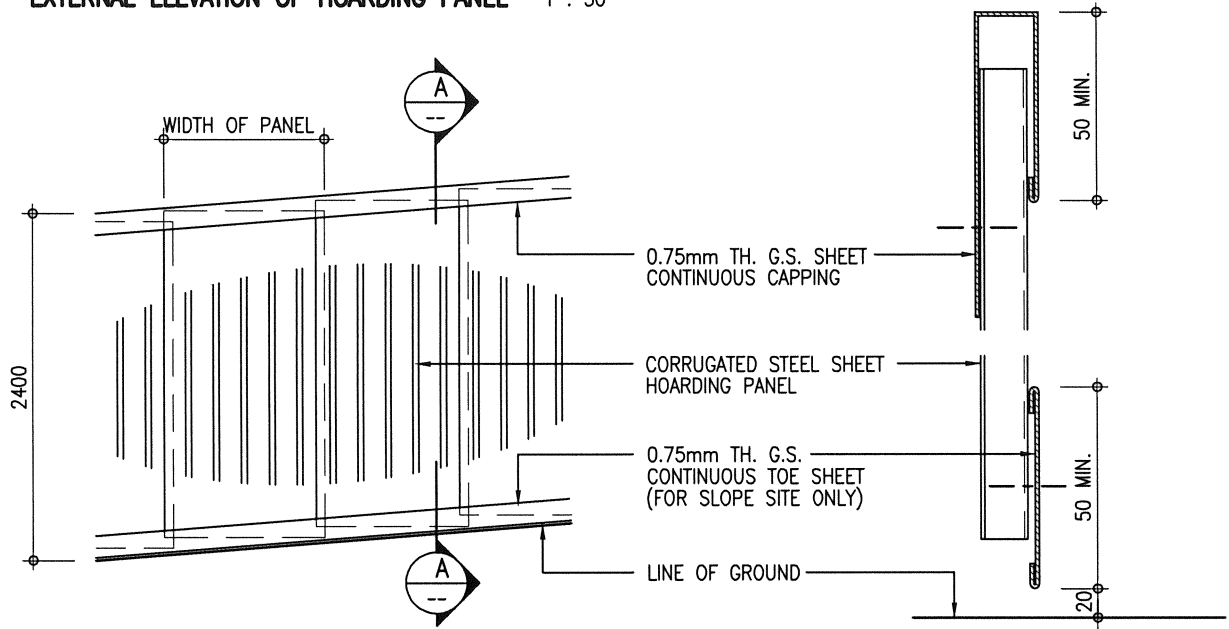
**GENERAL NOTES FOR CONSTRUCTION OF
HOARDINGS, COVERED WALKWAYS, AND ASSOCIATED GANTRIES AND CATCH PLATFORMS:**

1. THE ARCHITECTURAL HOARDING DRAWINGS SHOULD BE READ IN CONJUNCTION WITH THE APPROPRIATE STRUCTURAL HOARDING DRAWINGS AS REFERRED ON THE DRAWINGS.
2. IN DETERMINING THE TYPE OF HOARDING/COVERED WALKWAY CONSTRUCTION AND THE ASSOCIATED PROVISIONS TO SUIT THE PURPOSE, REFERENCE AND PROVISIONS SHOULD ALWAYS BE MADE TO MEET THE REQUIREMENTS OF THE CURRENTLY ENFORCED "CODE OF PRACTICE FOR DEMOLITION OF BUILDINGS" AND RELEVANT PNAPS ISSUED BY BUILDINGS DEPARTMENT.
3. A MINIMUM CLEAR WIDTH OF 1.1m AND RAISED FLOOR SHOULD BE PROVIDED FOR HOARDING/COVERED WALKWAY LOCATED ON CARRIAGEWAY. FOR HOARDING/COVERED WALKWAY LOCATED ON FOOTPATH, THE CLEAR WIDTH SHOULD BE RELATED TO THE EXISTING PAVEMENT WIDTH AND BE PROVIDED ACCORDING TO THOSE AS PROMULGATED IN PNAP APP-23 ISSUED BY THE BUILDINGS DEPARTMENT.
4. A TEMPORARY LIGHTING SYSTEM AS PROMULGATED IN PNAP APP-23 SHOULD BE PROVIDED FOR ALL COVERED WALKWAYS OF BUILDING SITES.
5. ALL METALWORK REFERRED IN THE DRAWINGS SHOULD COMPLY WITH SECTION 17 OF THE GENERAL SPECIFICATION FOR BUILDING 2017 EDITION OR THEREAFTER.
6. ALL CORRUGATED STEEL SHEET PANELS, CAPPINGS AND TOE SHEETS SHOULD BE OF GALVANIZED STEEL WITH MINIMUM ZINC COATING CONTENT 350g/m² WITH TRIPLE-SPOT TEST, AND BE FINISHED ON BOTH SURFACES WITH SYNTHETIC PAINT OF ALKYD RESIN BASE IN ACCORDANCE WITH SECTION 21 OF THE GENERAL SPECIFICATION FOR BUILDING 2017 EDITION PUBLISHED BY THE ARCHITECTURAL SERVICES DEPARTMENT OR THEREAFTER.
7. ALL EXPOSED SURFACES OF METALWORK SHOULD BE PAINTED IN MID-GREY COLOUR (BS5252: 10 A 07) UNLESS STATED OTHERWISE.
8. ArchSD LOGO SHOULD BE PAINTED AT A 3-BAY INTERVAL. IF THERE ARE OTHER LOGOS TO BE DISPLAYED, THE SPECIFIED LOGO AND THE ArchSD LOGO SHOULD BE PAINTED ALTERNATIVELY AT A 3-BAY INTERVAL.

 ARCHITECTURAL SERVICES DEPARTMENT	Title COVERED WALKWAY TYPE F HOARDING - (SURFACE-MOUNTED FOOTING) GENERAL NOTES		Scale NIL	Drawing No. 9711/F/A02
	Checked by CA/ASC W.H. LEE <i>W.H. Lee</i>	Date 11.4.2018	Approved by AD(PS) C.K. HUI <i>C.K. Hui</i>	Date 12.4.2018

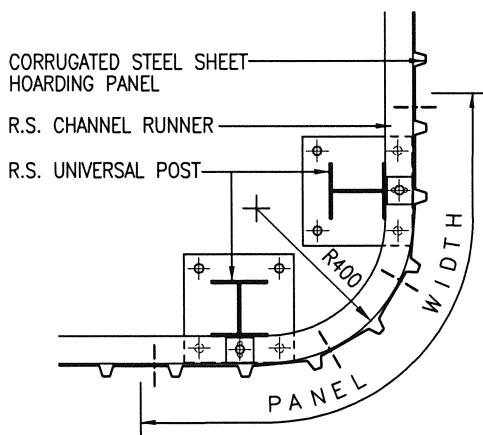


EXTERNAL ELEVATION OF HOARDING PANEL 1 : 50

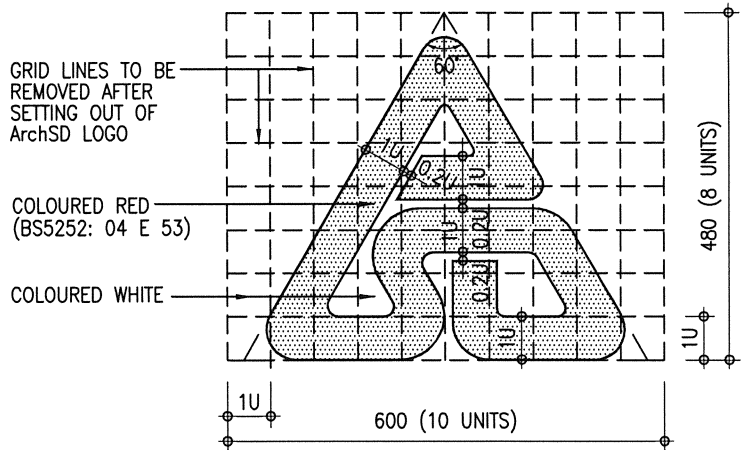


EXTERNAL ELEVATION OF HOARDING PANEL ON SLOPE 1 : 50


SECTION A-A 1 : 5



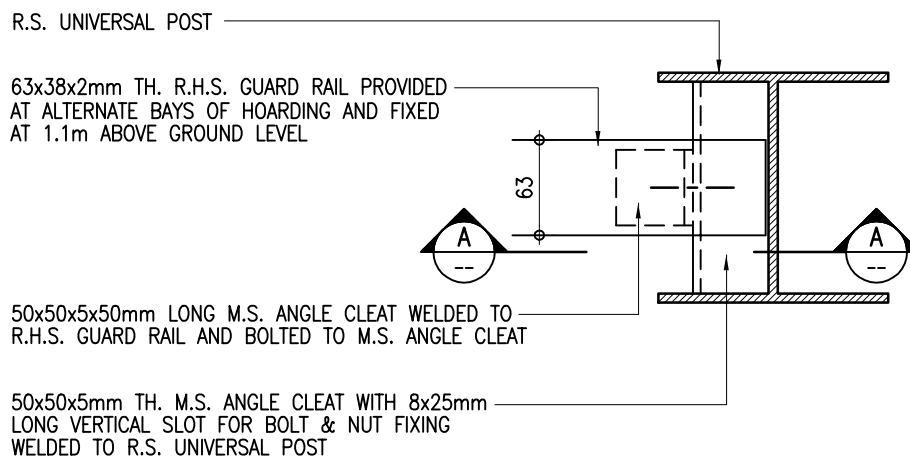
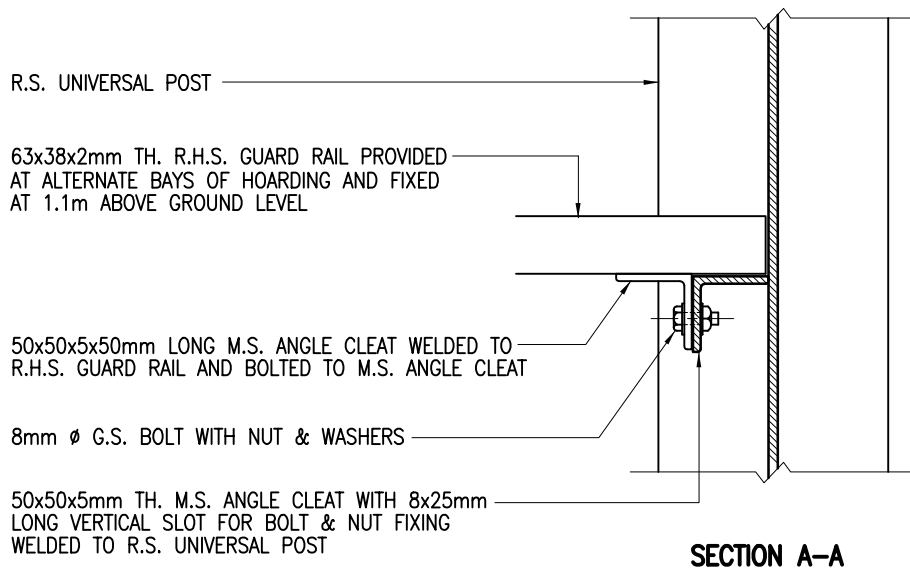
PLAN OF HOARDING PANEL AT CORNER 1 : 20



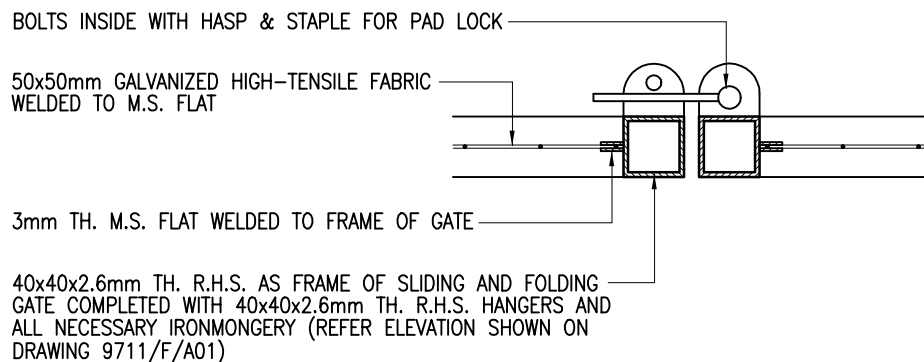
SETTING OUT OF ArchSD LOGO 1 : 10

 ARCHITECTURAL SERVICES DEPARTMENT	Title COVERED WALKWAY TYPE F HOARDING - (SURFACE-MOUNTED FOOTING) CONSTRUCTION DETAILS 1		Scale as shown	Drawing No. 9711/F/A03
	Checked by CA/ASC W.H. LEE <i>[Signature]</i>	Date 11.4.2018	Approved by AD(PS) C.K. HUI <i>[Signature]</i>	Date 12.4.2018

CAD Ref. - 9711_f03.dwg--1:50



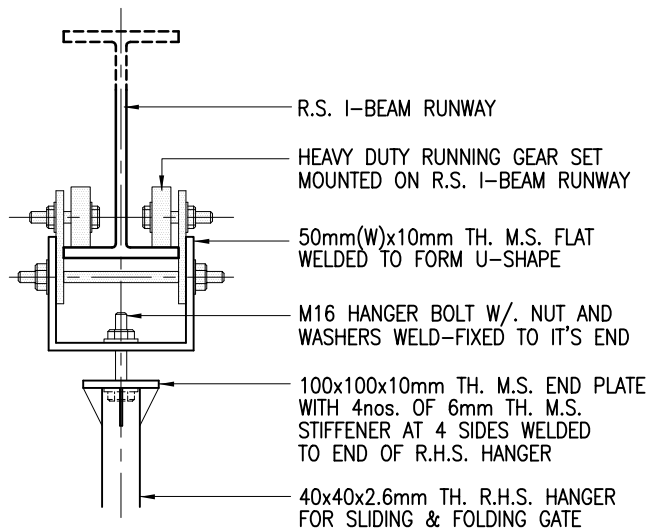
2 **FIXING DETAILS OF R.H.S. GUARD RAIL**
F/A04 1 : 5



1 **DETAILS OF SLIDING AND FOLDING GATE**
F/A04 1 : 5

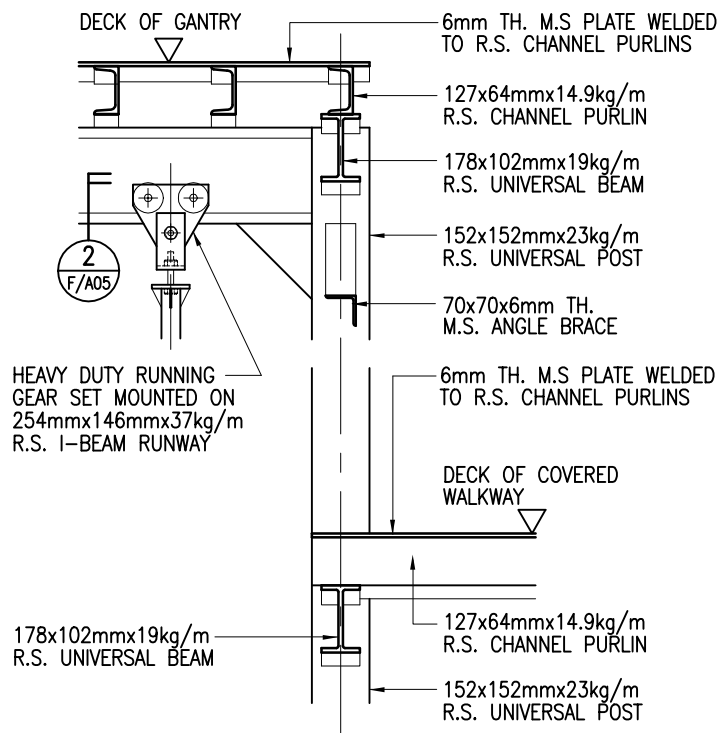


Title COVERED WALKWAY TYPE F HOARDING - (SURFACE-MOUNTED FOOTING) CONSTRUCTION DETAILS 2		Scale 1 : 5	Drawing No. 9711/F/A04
Checked by CPM303 C.F. HO <i>RJ</i>	Date 18 Sept. 2007	Approved by AD(PS) K.K. LEUNG <i>ML</i>	Date 19 Sept. 2007



2 DETAIL #
F/A05 1 : 10

* THIS FIXING DETAIL IS FOR REFERENCE ONLY, SAMPLE OF RUNNING GEAR SET AND FIXING METHOD SHOULD BE SUBMITTED FOR APPROVAL BEFORE ORDERING.



1 DETAIL
F/A05 1 : 20



Title
**COVERED WALKWAY
TYPE F HOARDING - (SURFACE-MOUNTED FOOTING)
CONSTRUCTION DETAILS 3**

Scale
as shown

Drawing No.
9711/F/A05

Checked by
CPM303 C.F. HO

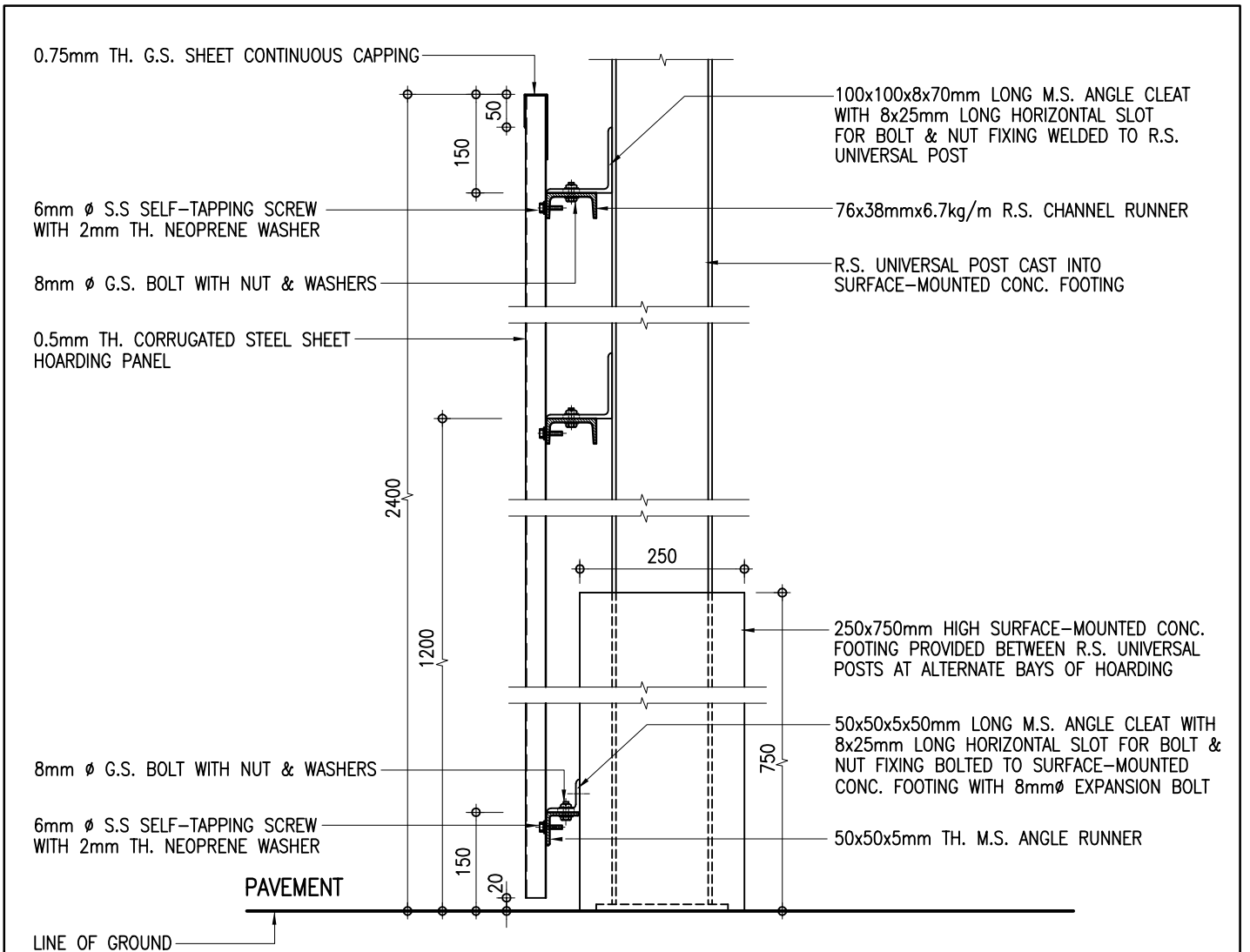
RJ

Date
18 Sept. 2007

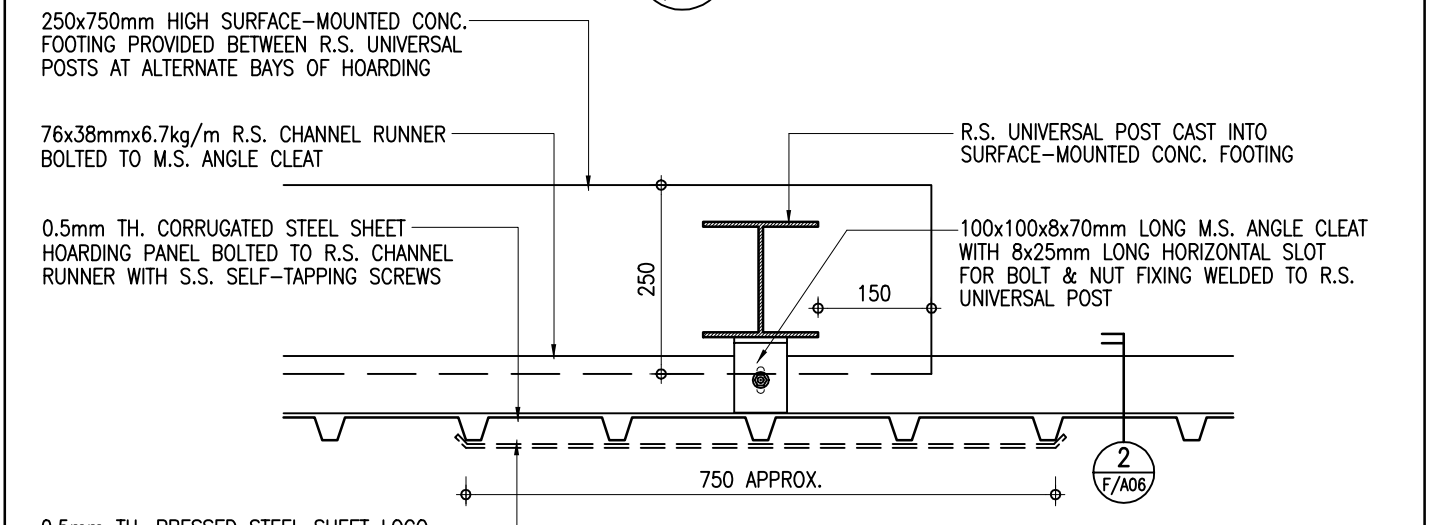
Approved by
AD(PS) K.K. LEUNG

ML


Date
19 Sept. 2007

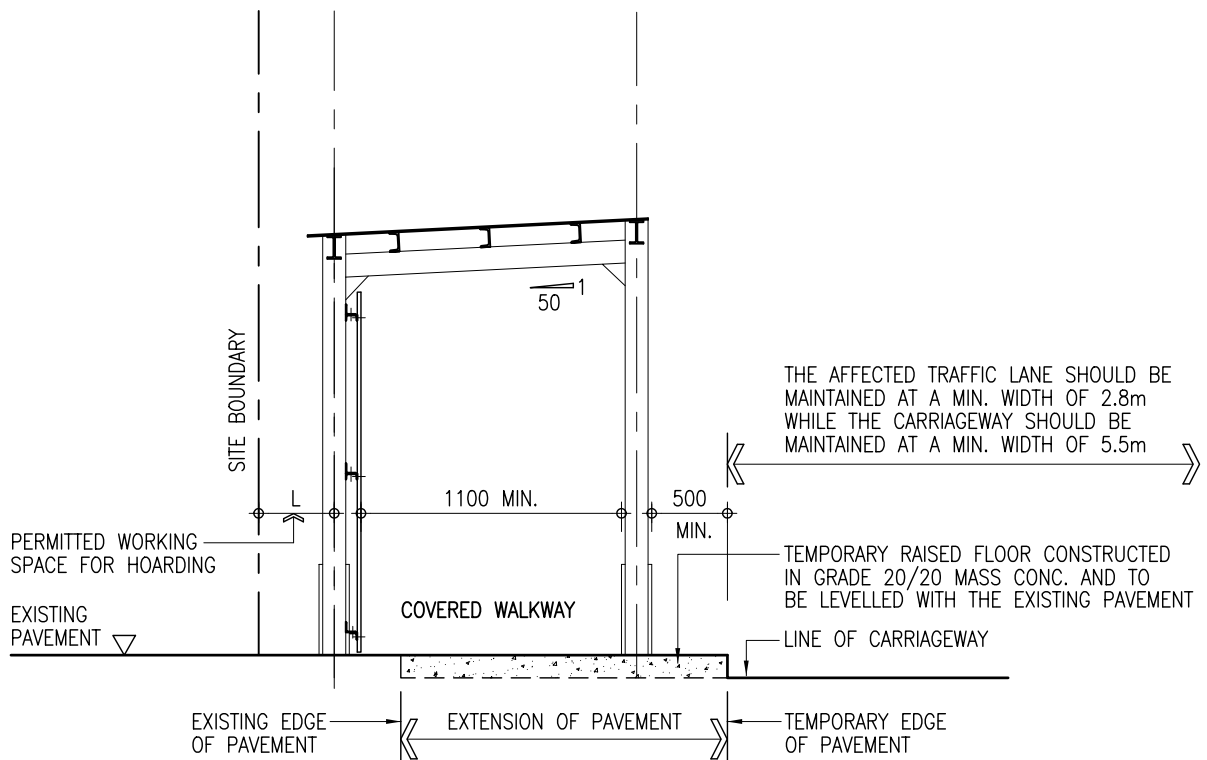


2 DETAIL
F/A06 1 : 10



1 DETAIL
F/A06 1 : 10

 ARCHITECTURAL SERVICES DEPARTMENT	Title COVERED WALKWAY TYPE F HOARDING - (SURFACE-MOUNTED FOOTING) CONSTRUCTION DETAILS 4	Scale 1 : 10	Drawing No. 9711/F/A06
	Checked by CPM303 C.F. HO <i>RJ</i>	Date 18 Sept. 2007	Approved by AD(PS) K.K. LEUNG <i>ML</i>



TYPICAL DETAILS OF COVERED WALKWAY
HOARDING (SURFACE-MOUNTED FOOTING)
SITED ON CARRIAGEWAY/NARROW PAVEMENT

1 : 50



ARCHITECTURAL
SERVICES
DEPARTMENT

Title
**COVERED WALKWAY
TYPE F HOARDING - (SURFACE-MOUNTED FOOTING)
CONSTRUCTION DETAILS 5**

Scale
1 : 50

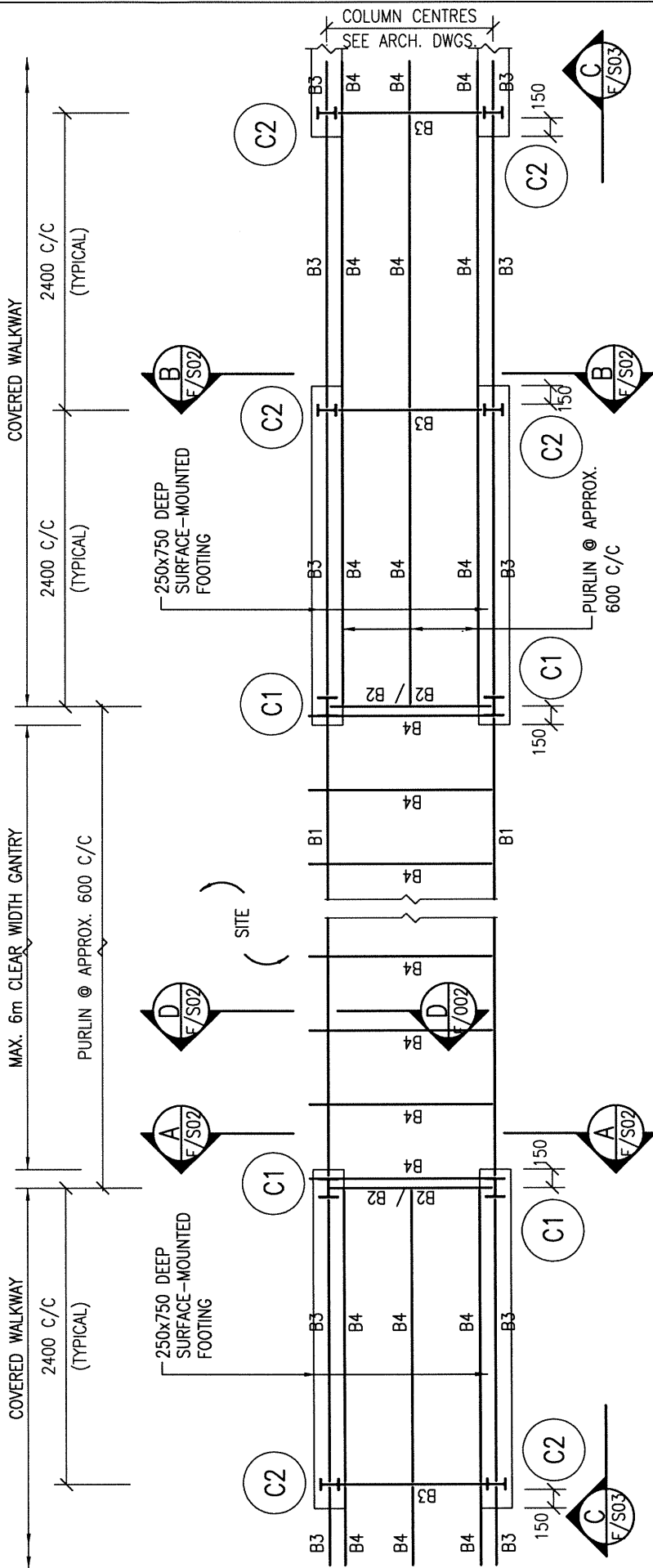
Drawing No.
9711/F/A07

Checked by
CPM303 C.F. HO

Date
18 Sept. 2007

Approved by
AD(PS) K.K. LEUNG

Date
19 Sept. 2007



TOP PLAN OF GANTRY AND COVERED WALKWAY

- NOTES :
1. ALL WELDING TO BE 6mm F.W. ALL ROUND IN ACCORDANCE WITH BS EN 1011-1 UNLESS OTHERWISE STATED.
 2. ALL BOLTS TO BE GRADE 4.6 BLACK BOLTS TO BS 4190.
 3. ALL STRUCTURAL SECTIONS SHALL BE WELDABLE STRUCTURAL STEEL OF GRADE S275 UNLESS OTHERWISE SPECIFIED.
 4. THE DETAILS OF GANTRY MAY BE MODIFIED BY PROJECT OFFICER TO SUIT ACTUAL SITE CONDITIONS.
 5. ALL STEEL WORKS SHALL BE MANUALLY CLEANED TO GS CL. 15.61 (i), PRIMED WITH ONE COAT OF OIL BASED ZINC PHOSPHATE PRIMER AND FINISHED WITH TWO FINISHING COATS OF SYNTHETIC PAINT OF ALKYD RESIN BASE.

STEEL MEMBER SCHEDULE

MEMBER MARK	MEMBER SIZE
C1	152 x 152 x 23 UC
C2, B3	152 x 89 x 16 UB
B1	254 x 146 x 37 UB
B2	178 x 102 x 19 UB
B4	127 x 64 x 14.9 CHANNEL
B5	76 x 38 x 6.7 CHANNEL
B6	70 x 70 x 6 ANGLE
B7	50 x 50 x 5 ANGLE

THE SKETCHES ARE PREPARED TO MEET THE GENERAL REQUIREMENTS AS SPECIFIED IN PNAP APP-102 ISSUED BY BD. SIZES OF FOOTINGS MAY BE MODIFIED BY PSE TO SUIT ACTUAL SITE CONDITIONS.



ARCHITECTURAL SERVICES DEPARTMENT

Title
COVERED WALKWAY
TYPE F HOARDING - (SURFACE-MOUNTED FOOTING)
STRUCTURAL DETAILS 1

Scale
 1 : 50

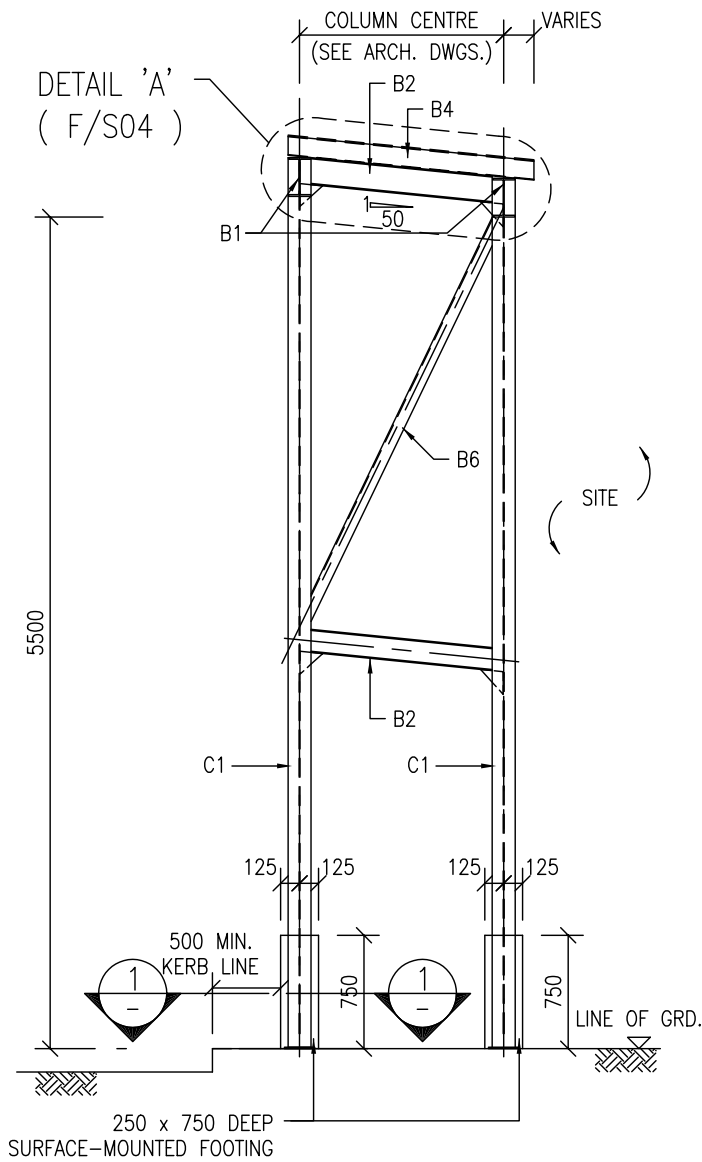
Drawing No.
9711/F/S01
 (REV. B)

Checked by
 CSE/1 M.K. WONG

Date
 24 FEB 2020

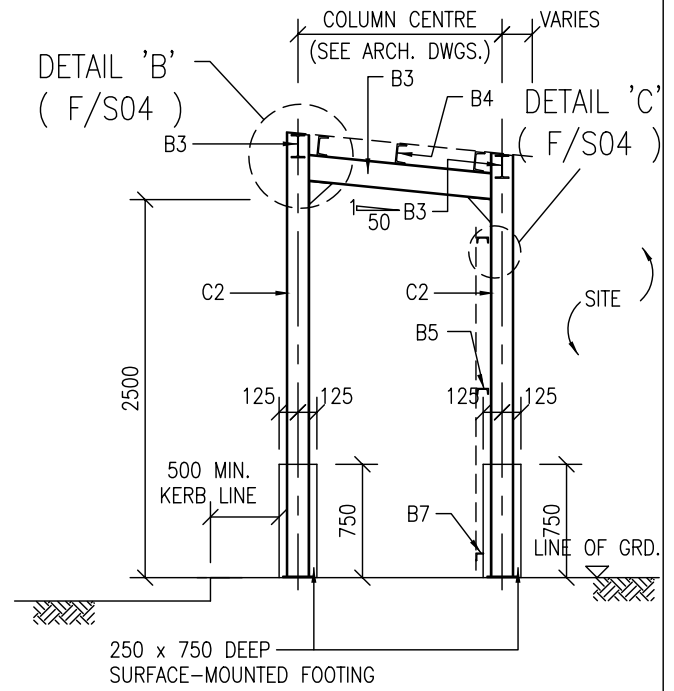
Approved by
 AD(SE) K.L. TSE

Date
 26 FEB 2020



A - A

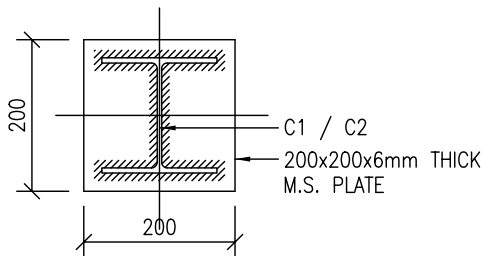
(TYPICAL SECTION OF COVERED WALKWAY)



B - B

NOTES :-

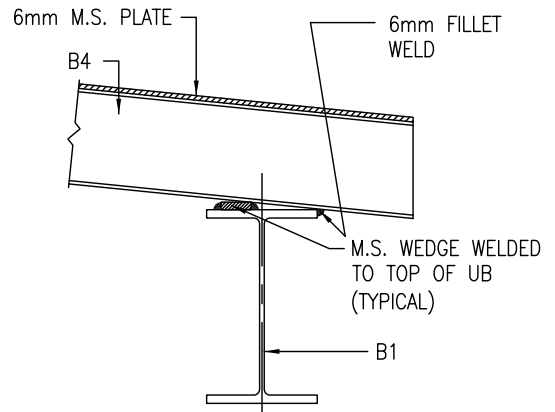
1. ALL FOOTINGS TO BE GRADE 20/20 MASS CONCRETE.
2. TO BE USED WHEN PAVEMENT IS CONSTRUCTED WITH CONCRETE, CONCRETE PAVER BLOCK OR TARMAAC. CONSULT PSE FOR OTHER SURFACE CONDITIONS ON ITS APPLICABILITY.




1 - 1

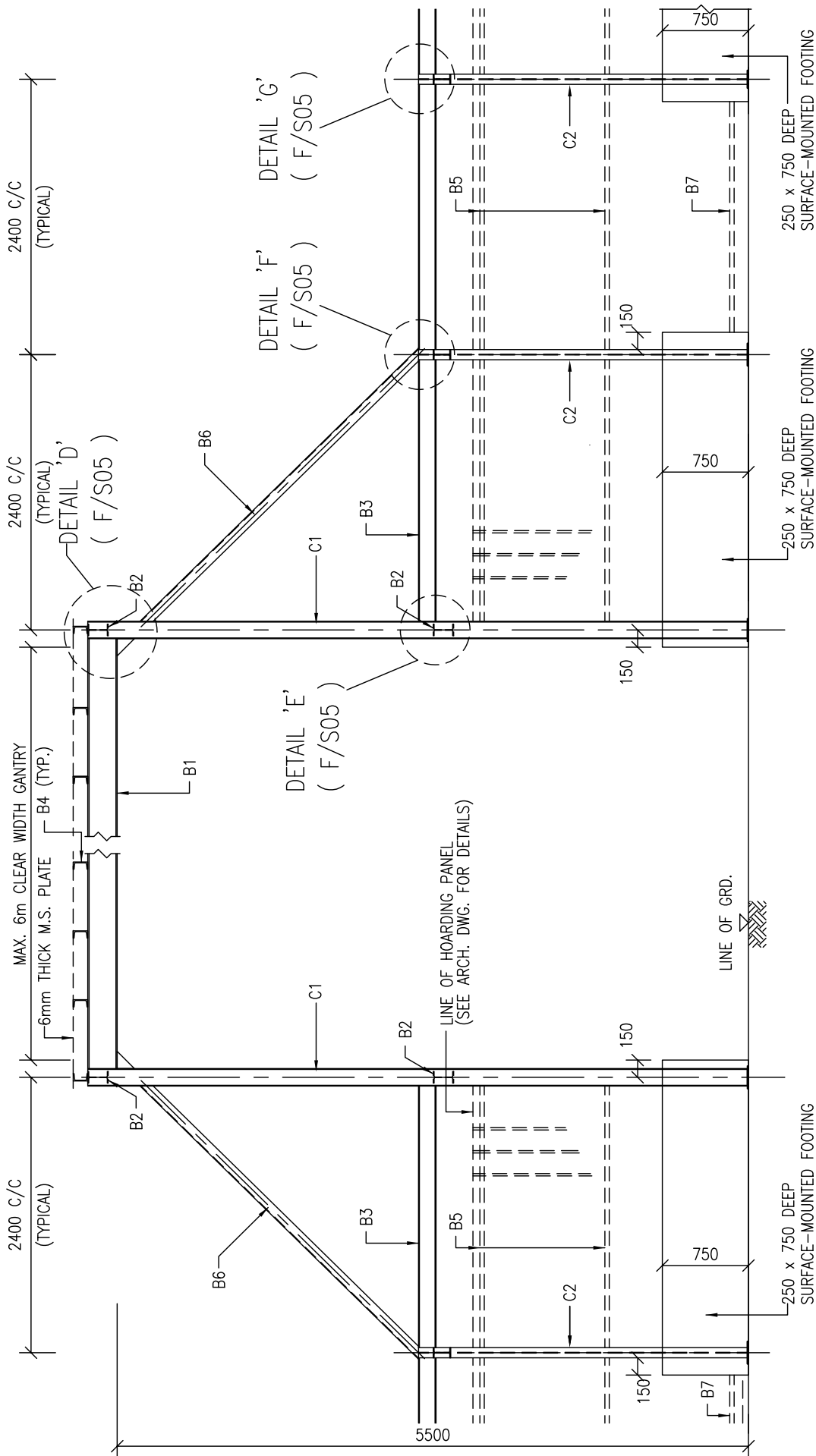
1 : 10

(FOOTING NOT SHOWN FOR CLARITY)




D - D 1 : 10

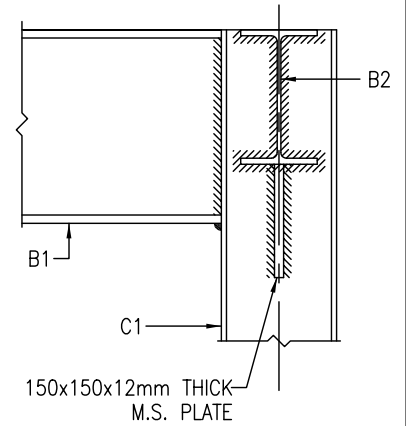
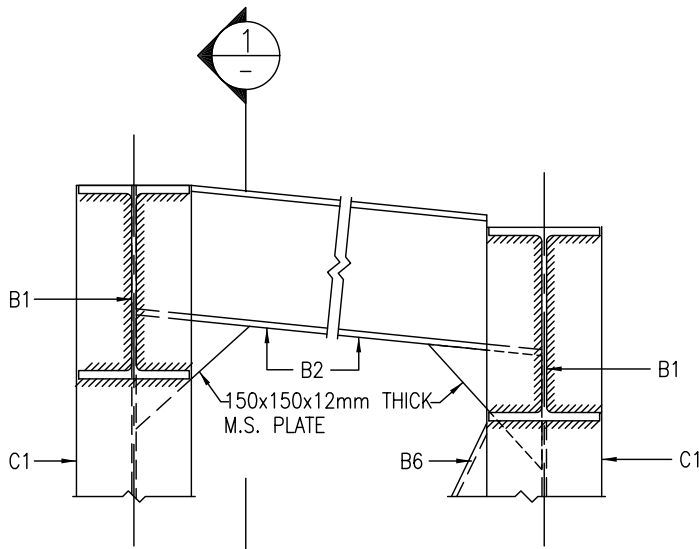
 <p>ARCHITECTURAL SERVICES DEPARTMENT</p>	<p>Title COVERED WALKWAY TYPE F HOARDING - (SURFACE-MOUNTED FOOTING) STRUCTURAL DETAILS 2</p>		<p>Scale 1 : 50 1 : 10</p>	<p>Drawing No. 9711/F/S02</p>
	<p>Checked by CSE/1 C.T. WONG <i>C.T. Wong</i></p>	<p>Date 11 Oct. 2007</p>	<p>Approved by AD(SE) W.W. LI <i>W.W. Li</i></p>	<p>Date 11 Oct. 2007</p>



C - C

NOTES :-
 1. ALL FOOTINGS TO BE GRADE 20/20 MASS CONCRETE.

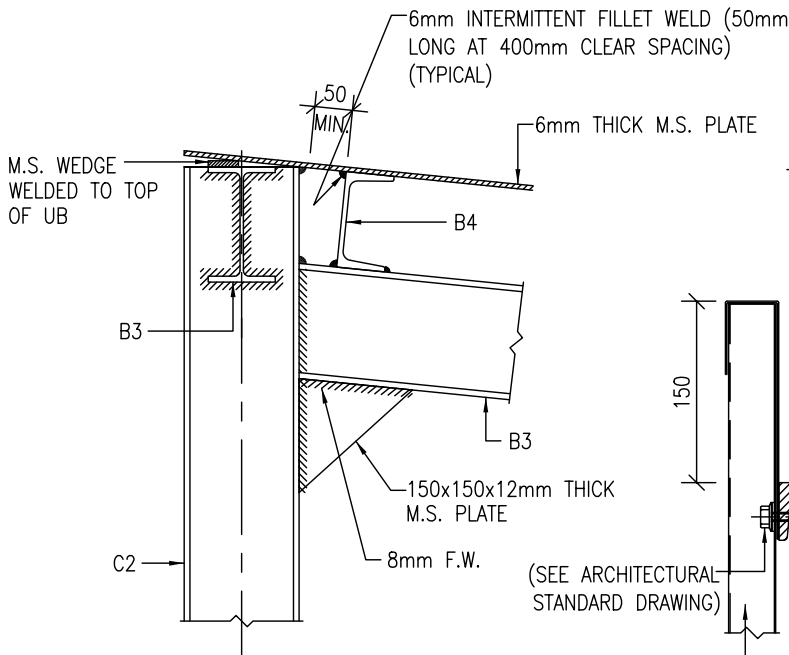
 ARCHITECTURAL SERVICES DEPARTMENT	Title COVERED WALKWAY TYPE F HOARDING - (SURFACE-MOUNTED FOOTING) STRUCTURAL DETAILS 3		Scale 1 : 50	Drawing No. 9711/F/S03
	Checked by CSE/1 C.T. WONG <i>C.T. Wong</i>	Date 11 Oct. 2007	Approved by AD(SE) W.W. LI <i>W.W. Li</i>	Date 11 Oct. 2007



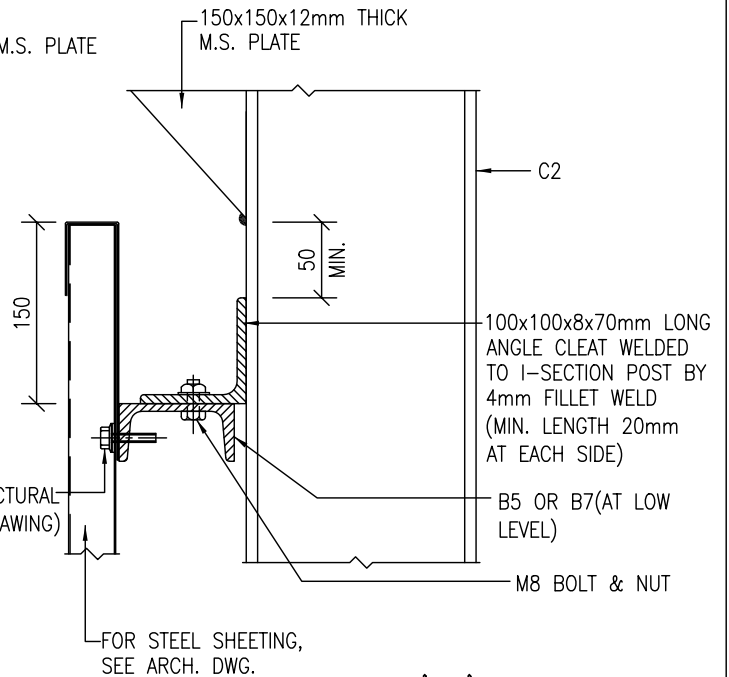
DETAIL 'A' 1 : 10

(B4 NOT SHOWN FOR CLARITY)
(F/S02)

1 - 1 1 : 10



DETAIL 'B' 1 : 10
(F/S02)

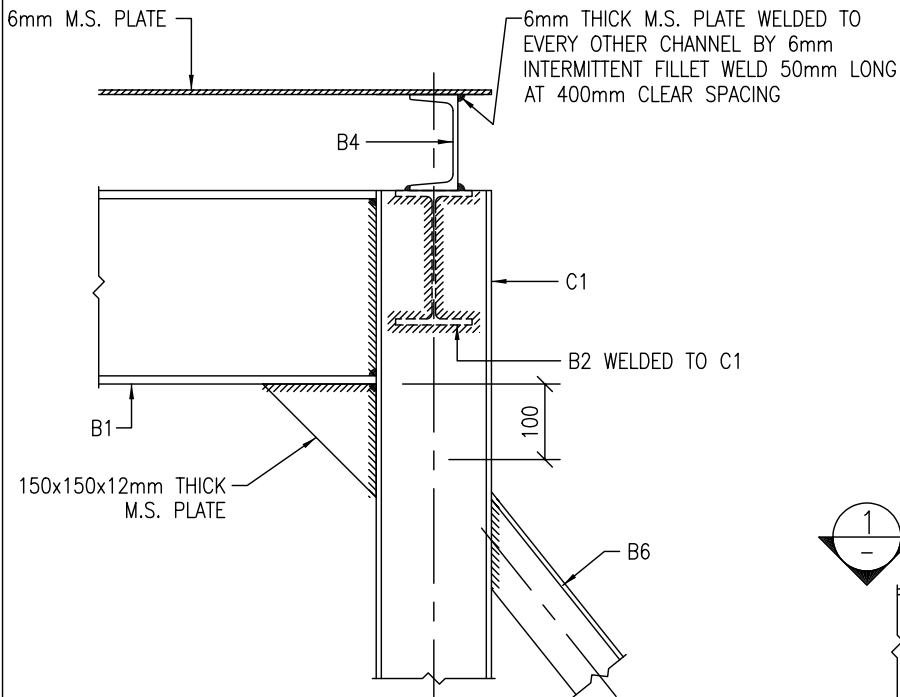


DETAIL 'C' 1 : 5
(F/S02)

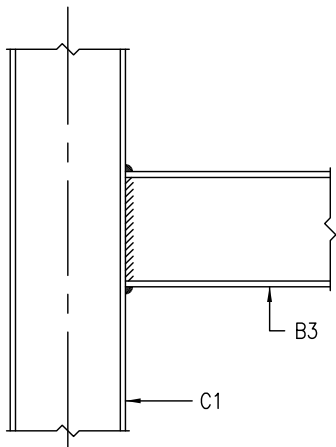
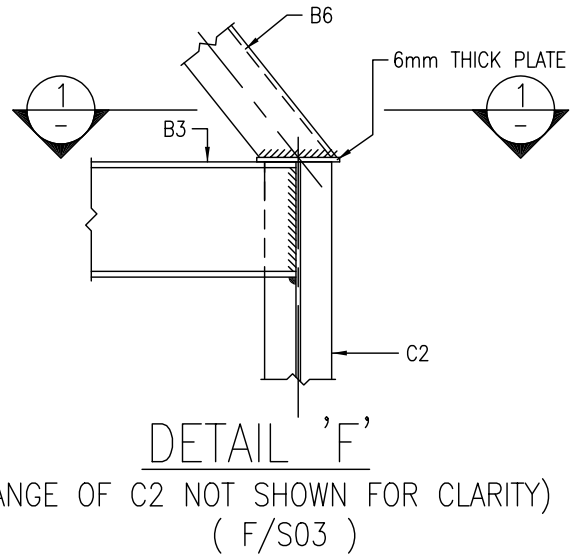
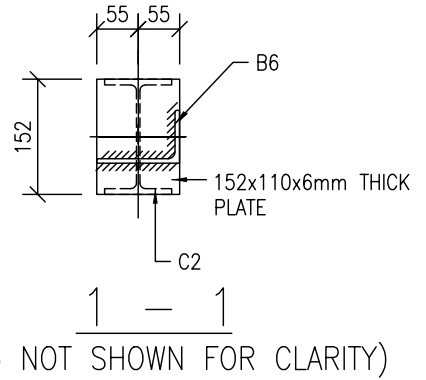


ARCHITECTURAL
SERVICES
DEPARTMENT

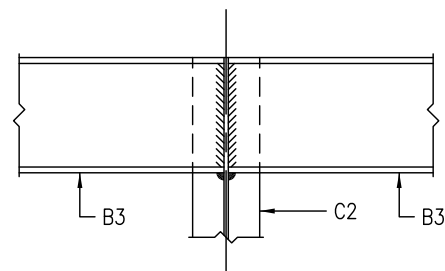
Title COVERED WALKWAY TYPE F HOARDING - (SURFACE-MOUNTED FOOTING) STRUCTURAL DETAILS 4		Scale 1 : 10 1 : 5	Drawing No. 9711/F/S04
Checked by CSE/1 C.T. WONG <i>C.T. Wong</i>	Date 11 Oct. 2007	Approved by AD(SE) W.W. LI <i>W.W. Li</i>	Date 11 Oct. 2007




DETAIL 'D'
(F/S03)



DETAIL 'E'
(F/S03)



DETAIL 'G'
(FLANGE OF C2 NOT SHOWN FOR CLARITY)
(F/S03)

 <p>ARCHITECTURAL SERVICES DEPARTMENT</p>	<p>Title</p> <p>TYPE F HOARDING - COVERED WALKWAY (SURFACE-MOUNTED FOOTING) STRUCTURAL DETAILS 5</p>		<p>Scale</p> <p>1 : 10</p>	<p>Drawing No.</p> <p>9711/F/S05</p>
	<p>Checked by</p> <p>CSE/1 C.T. WONG <i>C.T. Wong</i></p>	<p>Date</p> <p>11 Oct. 2007</p>	<p>Approved by</p> <p>AD(SE) W.W. LI <i>W.W. Li</i></p>	<p>Date</p> <p>11 Oct. 2007</p>


GENERAL NOTES FOR CONSTRUCTION OF TYPE G1 HOARDINGS AND COVERED WALKWAYS INCLUDING ASSOCIATED GANTRIES AND CATCH PLATFORMS

1. THE ARCHITECT SHALL ENSURE THAT THE CONSTRUCTION OF HOARDINGS AND COVERED WALKWAYS SHALL COMPLY WITH THE REQUIREMENTS STIPULATED IN THE CURRENTLY ENFORCED BUILDINGS ORDINANCE/ BUILDING REGULATIONS, AND THE RELEVANT CODES OF PRACTICE AND PNAPS ISSUED BY THE BUILDINGS DEPARTMENT.
2. THE STANDARD DRAWINGS ARE ONLY APPLICABLE FOR HOARDINGS/COVERED WALKWAYS WITH WIDTH OF COVERED WALKWAY (L1)* MEASURED BETWEEN COLUMN CENTRES IN THE RANGE : $1350\text{mm} \leq L1 < 1850\text{mm}$. FOR THE WIDTH (L1) IN THE RANGE: $1850\text{mm} \leq L1 \leq 3000\text{mm}$, PLEASE REFER TYPE G2 HOARDING.

FOR THE WIDTH (L1) OUTSIDE THE RANGE OF 1350mm AND 3000mm, THE ADEQUACY OF THE STRUCTURAL PROVISION SHALL BE JUSTIFIED WITH STRUCTURAL CALCULATION.

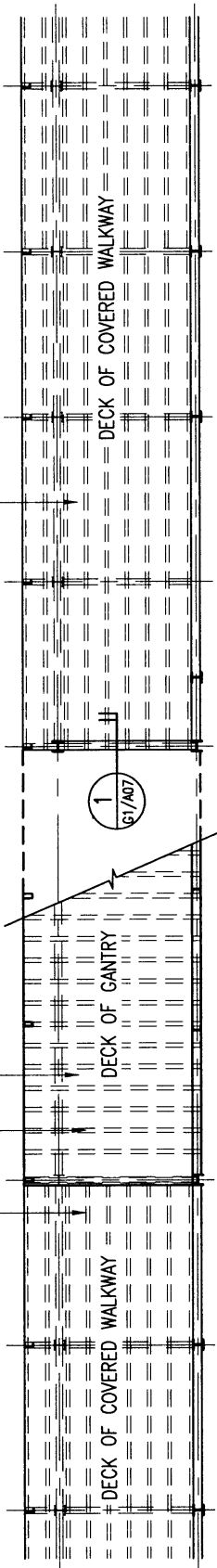
* IN THE DETERMINATION OF THE WIDTH (L1), THE ARCHITECT SHALL ENSURE THE PROVISION OF THE MINIMUM CLEAR WIDTH (W1) OF HOARDING/COVERED WALKWAY. PLEASE REFER NOTE 3.

3. THE MINIMUM CLEAR WIDTH (W1) OF HOARDING/COVERED WALKWAY SITED ON A CARRIAGEWAY OR FOOTPATH SHALL BE PROVIDED IN ACCORDANCE WITH PNAP APP-23. WHEN THE WIDTH (W1) IS LESS THAN THE MINIMUM WIDTH AS STIPULATED UNDER PNAP APP-23, APPROVAL/AGREEMENT FROM HIGHWAYS DEPARTMENT AND OTHER RELEVANT AUTHORITIES SHALL BE OBTAINED BEFORE THE CONSTRUCTION.
4. FOR DEMOLITION WORKS, THE MAXIMUM PERMITTED WORKING SPACE BETWEEN THE HOARDING/COVERED WALKWAY AND THE SITE BOUNDARY (L2) SHALL NOT BE GREATER THAN 500mm IN ACCORDANCE WITH THE CODE OF PRACTICE FOR DEMOLITION OF BUILDINGS. FOR OTHER WORKS, THE WORKING SPACE (L2) SHALL NOT BE GREATER THAN 300mm IN ACCORDANCE WITH PNAP APP-23.
5. THE MINIMUM WIDTH OF CATCH PLATFORM (W2) FOR DEMOLITION WORKS SHALL BE PROVIDED IN ACCORDANCE WITH THE CODE OF PRACTICE FOR DEMOLITION OF BUILDINGS.
6. A TEMPORARY LIGHTING SYSTEM SHALL BE PROVIDED FOR ALL COVERED WALKWAYS OF BUILDING SITES AND BE MAINTAINED IN GOOD ORDER IN ACCORDANCE WITH PNAP APP-23.
7. THE EXPOSED FACES OF THE CONCRETE PLINTH SHALL BE OF SMOOTH SURFACE AND ANY EXPOSED EDGES AND CORNERS SHALL BE CHAMFERED.
8. THE ARCHITECT SHALL, IN CONJUNCTION WITH THE PROJECT MANAGER, ASSESS THE NEED FOR HOARDING WITH SPECIAL DESIGN. PLEASE REFER TO THE "GUIDELINES FOR ENHANCEMENT OF HOARDING DESIGN FOR CONSTRUCTION SITES" IN ANNEX 3.A.18 OF THE PROJECT ADMINISTRATION HANDBOOK.
9. ALL METALWORK REFERRED IN THE DRAWINGS SHALL COMPLY WITH SECTION 17 OF THE GENERAL SPECIFICATION FOR BUILDING 2017 EDITION PUBLISHED BY THE ARCHITECTURAL SERVICES DEPARTMENT OR THEREAFTER.
10. ALL CORRUGATED STEEL SHEET PANELS, CAPPINGS AND TOE SHEETS SHALL BE OF GALVANIZED STEEL WITH COATING IN ACCORDANCE WITH SECTION 21 OF THE GENERAL SPECIFICATION FOR BUILDING 2017 EDITION PUBLISHED BY THE ARCHITECTURAL SERVICES DEPARTMENT OR THEREAFTER.
11. ALL EXPOSED SURFACES OF METALWORK SHALL BE PAINTED IN MID GREY COLOUR (BS5252: 10 A 07) UNLESS STATED OTHERWISE.
12. THE JOINTS/GAPS AT THE DECK OF THE COVERED WALKWAY/GANTRY SHALL BE PROPERLY SEALED WITH SEALANT OR TAPE AND BE MAINTAINED IN GOOD REPAIR TO AVOID GENERATION OF PUBLIC NUISANCE INCLUDING WATER DRIPPING.
13. THIS DRAWING SHOULD BE READ IN CONJUNCTION WITH ARCHITECTURAL DRAWINGS NO. 9711/G1/A02 TO A09 AND STRUCTURAL DRAWINGS NO. 9711/G1/S01 TO S05.
14. ALL DIMENSIONS SHOWN IN THE ARCHITECTURAL DRAWINGS NO. 9711/G1/A02 TO A09 ARE STRUCTURAL MEASUREMENT IN MILLIMETERS UNLESS STATED OTHERWISE.
15. THE ARCHITECT SHALL APPROACH ALL RELEVANT GOVERNMENT DEPARTMENTS SUCH AS THE HIGHWAYS DEPARTMENT AND TRANSPORT DEPARTMENT TO OBTAIN THEIR COMMENTS AND/OR APPROVALS ON THE HOARDING PROPOSAL BEFORE THE CONSTRUCTION.

 ARCHITECTURAL SERVICES DEPARTMENT	Title TYPE G1 HOARDING	COVERED WALKWAY WITH SINGLE DECK CATCH PLATFORM (SURFACE-MOUNTED FOOTING) GENERAL NOTES	Scale NIL	Drawing No. 9711/G1/A01
	Checked by CA/ASC W.H. LEE <i>W.H. Lee</i>	Date 11.4.2018	Approved by AD(PS) C.K. HUI <i>C.K. Hui</i>	Date 12.4.2018

CHANNEL PURLINS AT APPROX. 300mm c/c

6mm TH. M.S. PLATE WELDED TO CHANNEL PURLINS



PLAN

250x750mm HIGH SURFACE-MOUNTED CONC. FOOTING

425x1200mm HIGH SURFACE-MOUNTED CONC. FOOTING AT THE FIRST TWO BAYS ADJACENT TO THE GANTRY ONLY

G.M.S. SLIDING & FOLDING GATE W/ MESH DOOR PANEL AND HASP & STAPLE FOR PAD LOCK (DESIGN AND CONSTRUCTION DETAILS SUBJECT TO ARCHITECT'S APPROVAL)

MAX. 6000 CLEAR WIDTH GANTRY

(INGRESS / EGRESS)

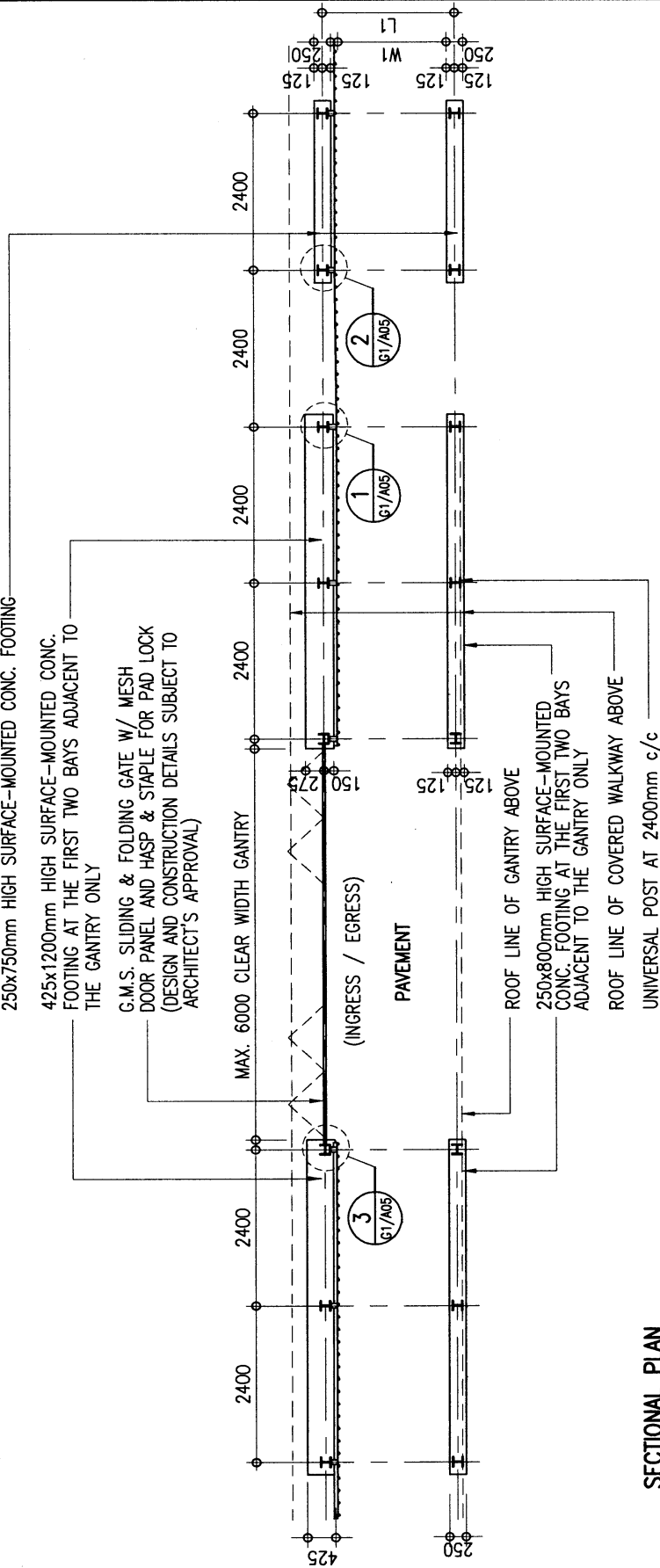
PAVEMENT

ROOF LINE OF GANTRY ABOVE

250x800mm HIGH SURFACE-MOUNTED CONC. FOOTING AT THE FIRST TWO BAYS ADJACENT TO THE GANTRY ONLY

ROOF LINE OF COVERED WALKWAY ABOVE

UNIVERSAL POST AT 2400mm c/c



SECTIONAL PLAN



ARCHITECTURAL SERVICES DEPARTMENT

Title

TYPE G1 HOARDING

COVERED WALKWAY WITH SINGLE DECK CATCH PLATFORM (SURFACE-MOUNTED FOOTING) PLANS

Scale

1 : 100

Drawing No.

9711/G1/A02

Checked by
CA/ASC T.S.K. TAM

T.S.K. TAM

Date

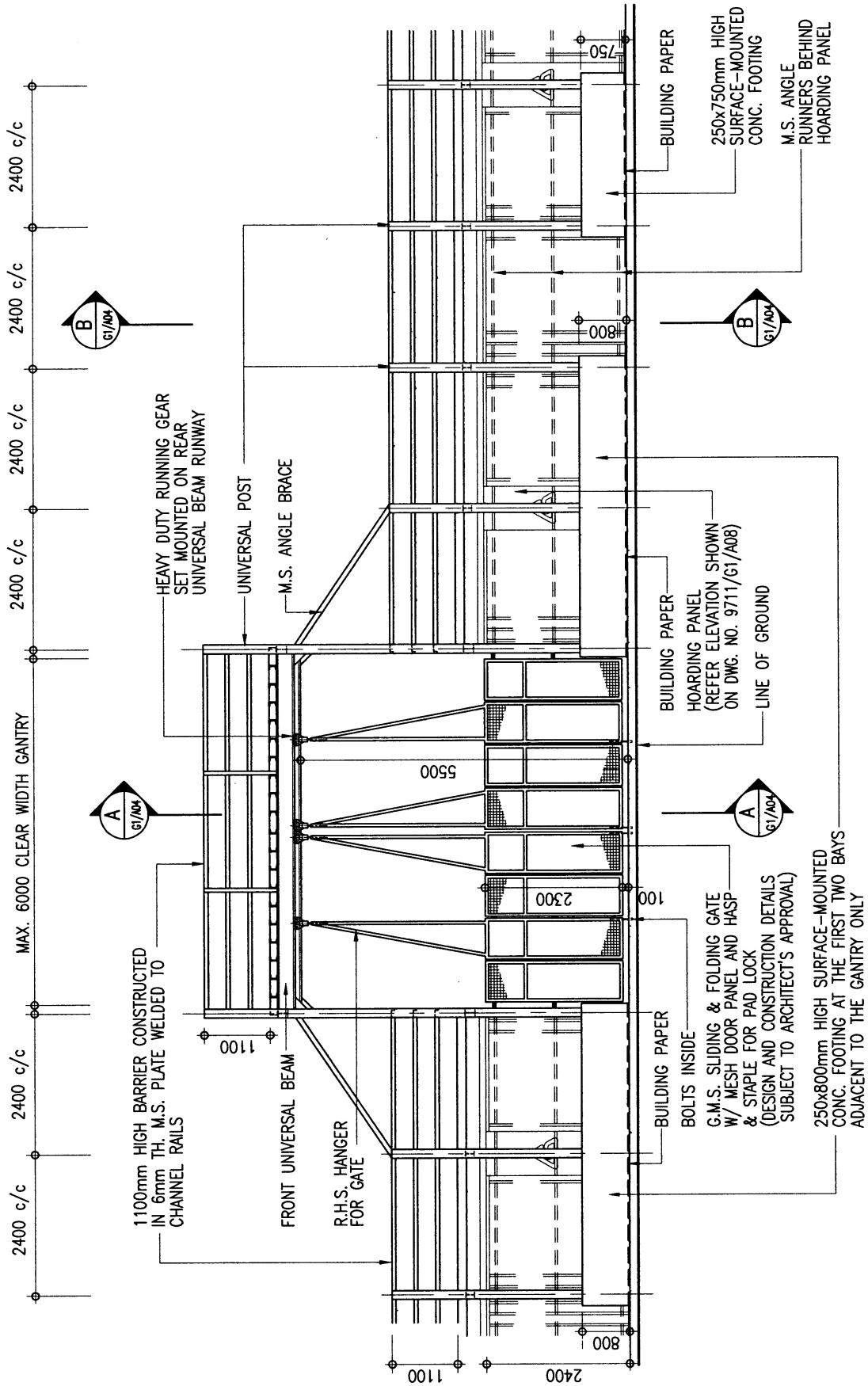
28.2.11

Approved by
AD(PS) S.W. FONG

S.W. FONG

Date

1 MAR 2011



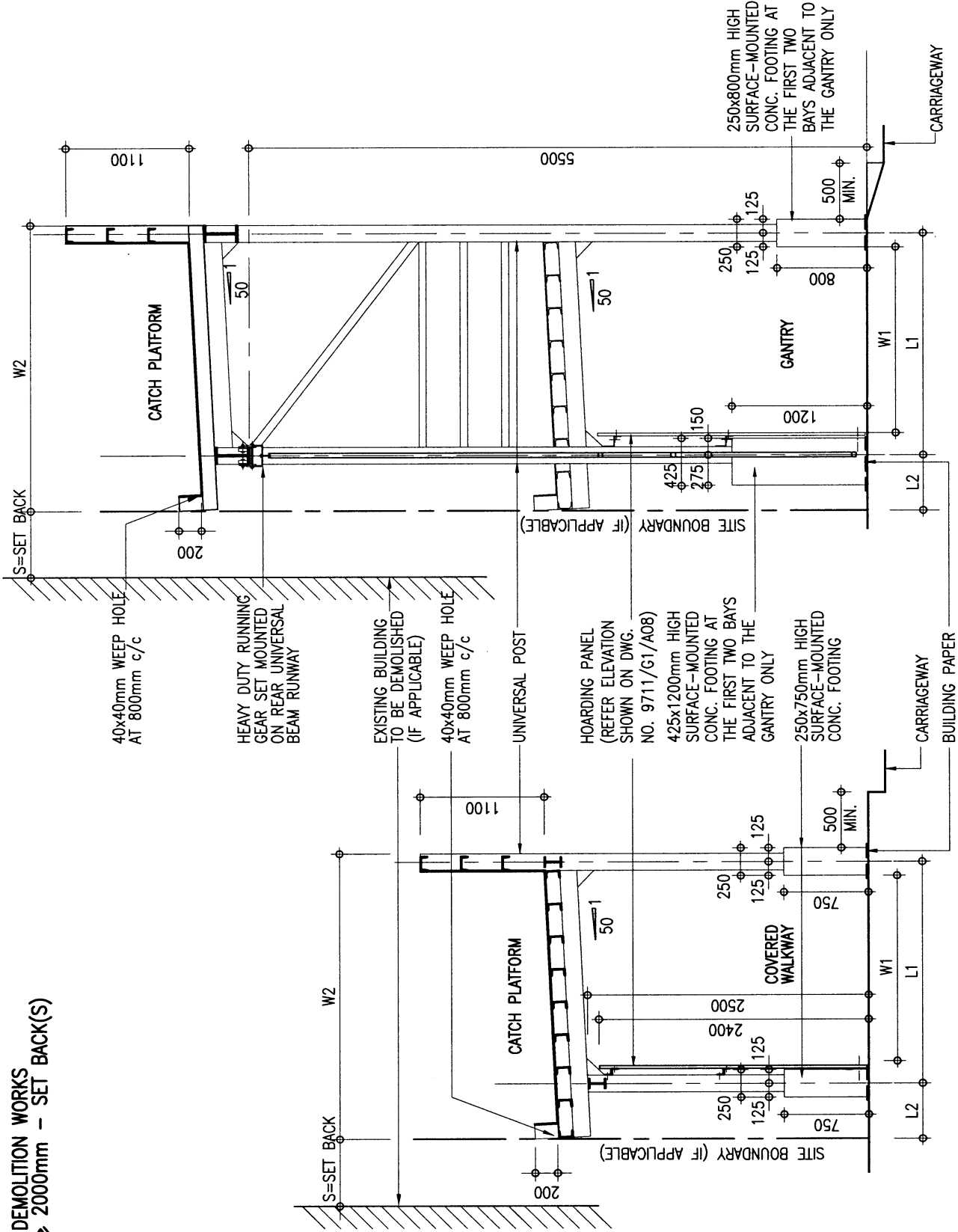
FRONT ELEVATION



ARCHITECTURAL
SERVICES
DEPARTMENT

Title TYPE G1 HOARDING	COVERED WALKWAY WITH SINGLE DECK CATCH PLATFORM (SURFACE-MOUNTED FOOTING) ELEVATION	Scale 1 : 100	Drawing No. 9711/G1/A03
Checked by CA/ASC T.S.K. TAM <i>TAM</i>	Date 28-2-11	Approved by AD(PS) S.W. FONG <i>FONG</i>	Date 1 MAR 2011

FOR DEMOLITION WORKS
 $W2 \geq 2000\text{mm}$ - SET BACK(S)

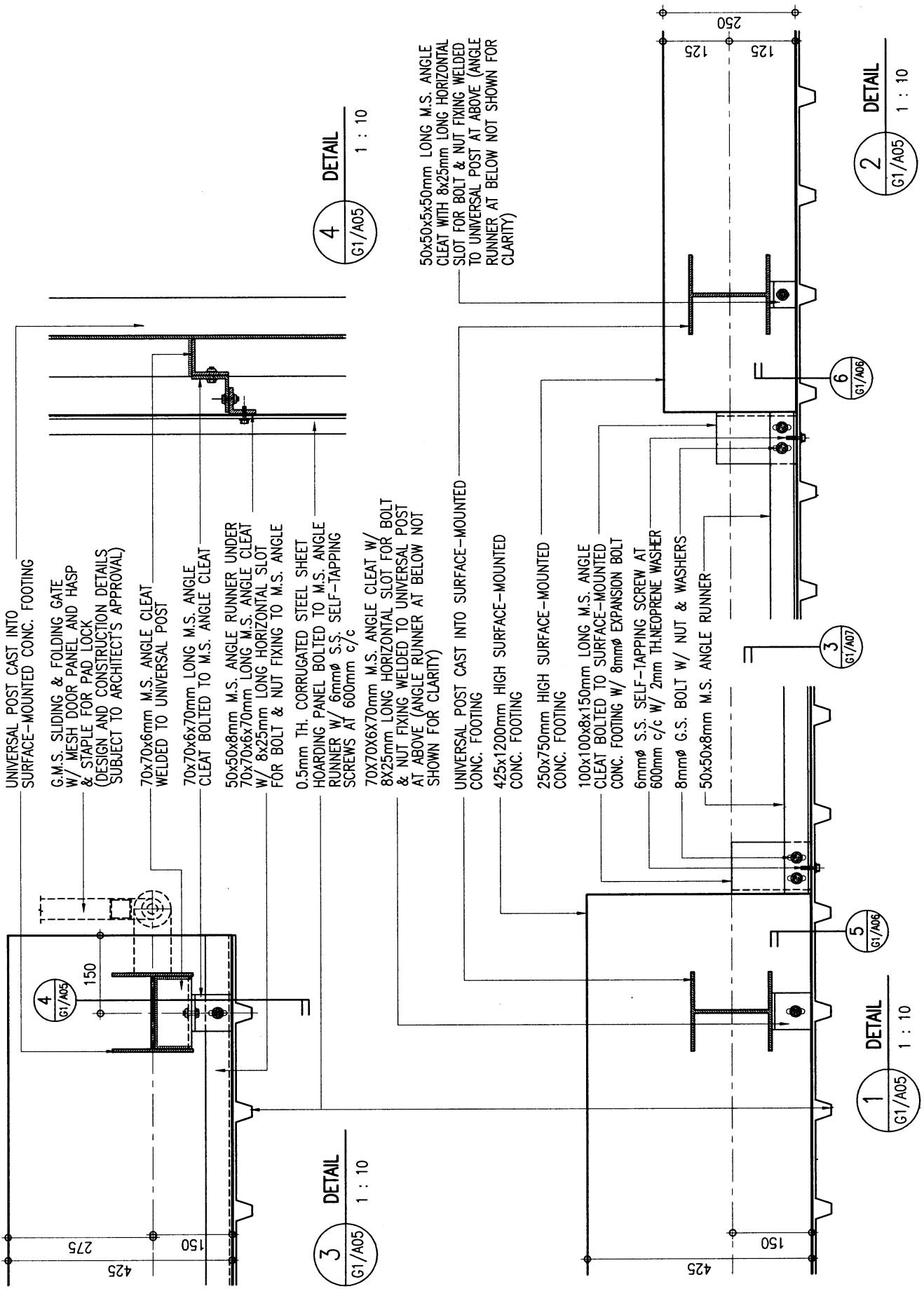


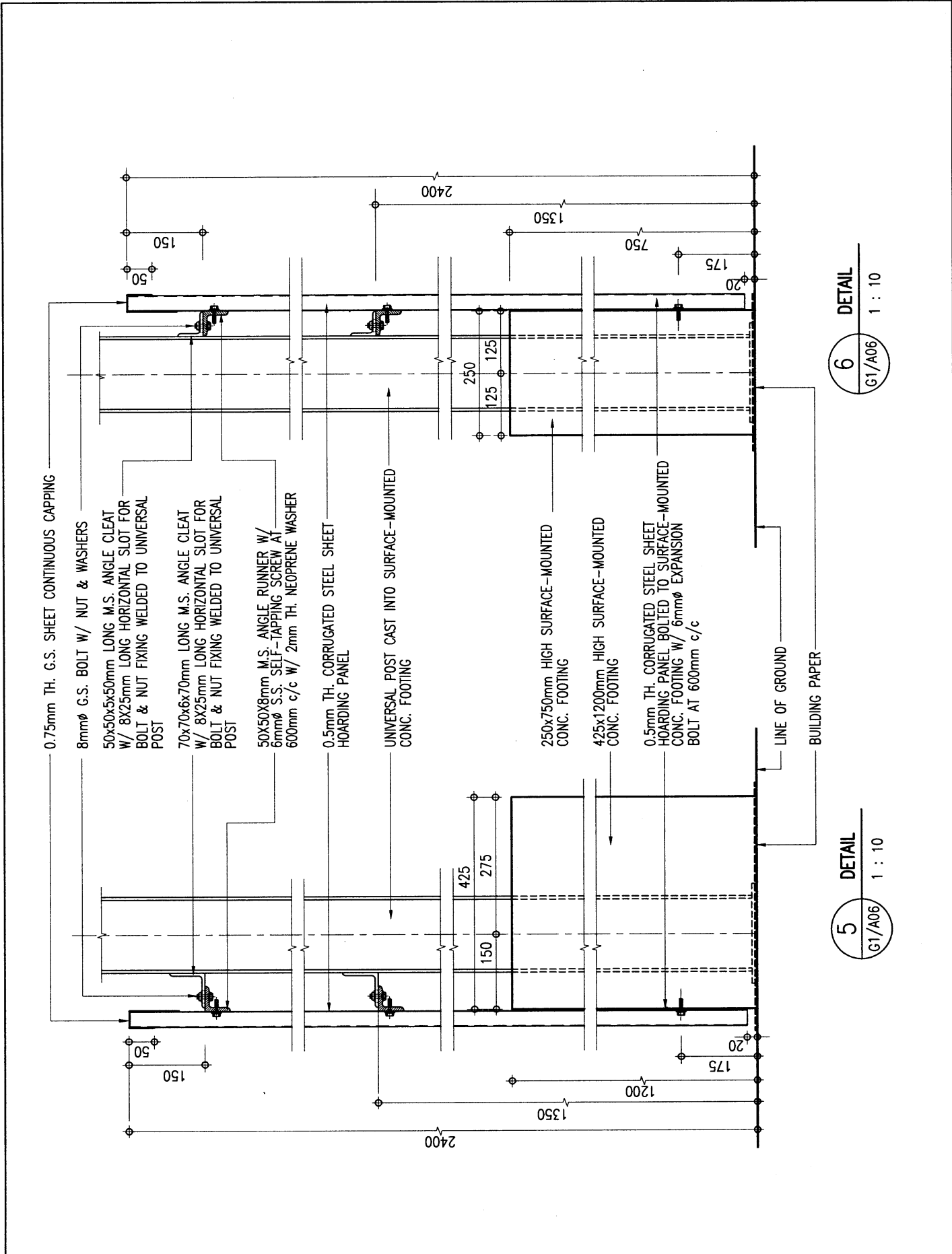
ARCHITECTURAL
 SERVICES
 DEPARTMENT

Title TYPE G1 HOARDING	COVERED WALKWAY WITH SINGLE DECK CATCH PLATFORM (SURFACE-MOUNTED FOOTING) SECTIONS	Scale 1 : 50	Drawing No. 9711/G1/A04
Checked by CA/ASC T.S.K. TAM <i>T.S.K. TAM</i>	Date 28.2.11	Approved by AD(PS) S.W. FONG <i>S.W. FONG</i>	Date - 1 MAR 2011



Title TYPE G1 HOARDING	COVERED WALKWAY WITH SINGLE DECK CATCH PLATFORM (SURFACE-MOUNTED FOOTING) CONSTRUCTION DETAILS 1	Scale 1 : 10	Drawing No. 9711/G1/A05
Checked by CA/ASC T.S.K. TAM <i>T.S.K. TAM</i>	Date 28.2.11	Approved by AD(PS) S.W. FONG <i>S.W. FONG</i>	Date MAR 2011



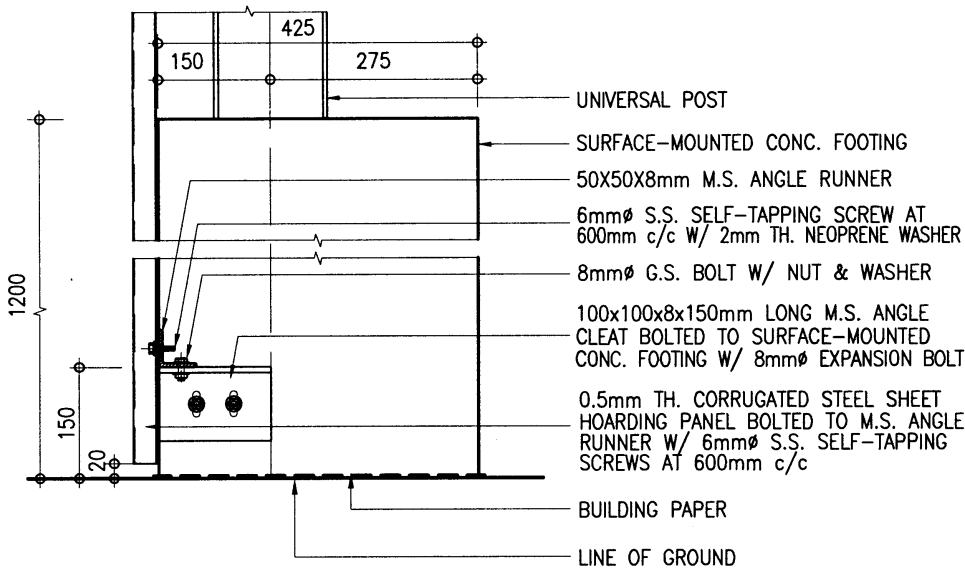


6
G1/A06
DETAIL
1 : 10

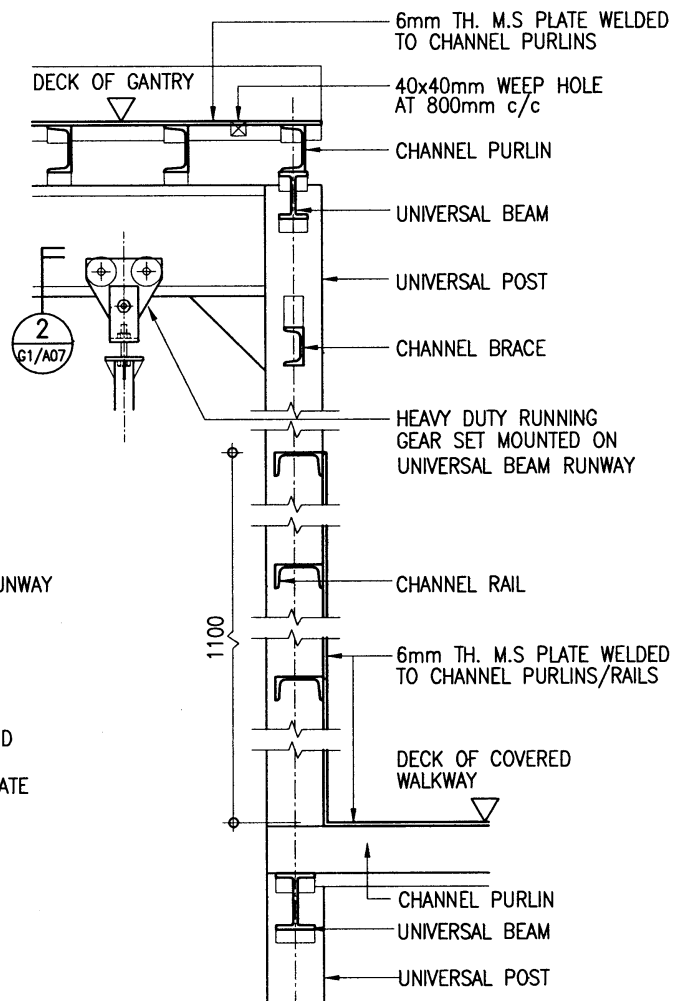
5
G1/A06
DETAIL
1 : 10



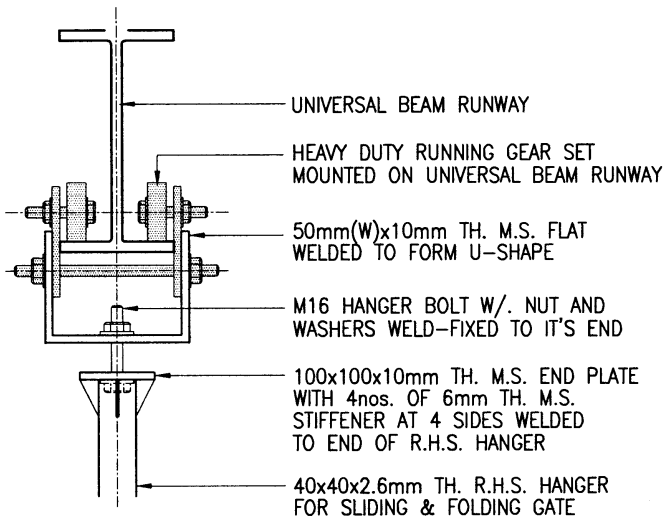
ARCHITECTURAL SERVICES DEPARTMENT	Title TYPE G1 HOARDING	COVERED WALKWAY WITH SINGLE DECK CATCH PLATFORM (SURFACE-MOUNTED FOOTING) CONSTRUCTION DETAILS 2	Scale 1 : 10	Drawing No. 9711/G1/A06
	Checked by CA/ASC T.S.K. TAM <i>Shaw</i>	Date 28.2.11	Approved by AD(PS) S.W. FONG <i>[Signature]</i>	Date 1 MAR 2011



3 DETAIL (ALSO APPLICABLE TO 250X750mm SURFACE-MOUNTED CONC. FOOTING)
 G1/A07 1 : 10



1 DETAIL
 G1/A07 1 : 20



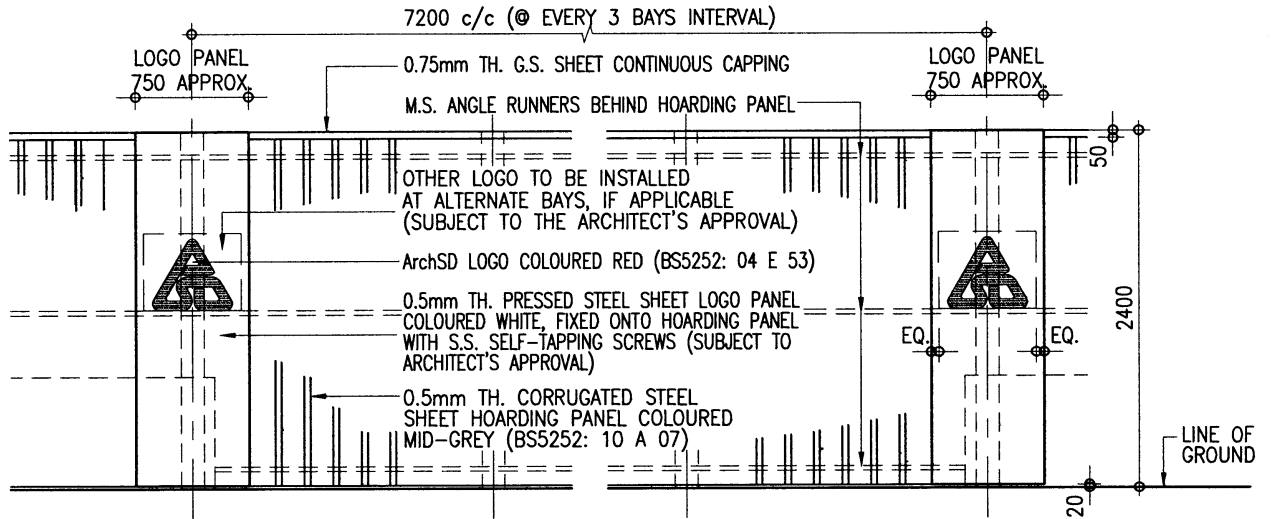
2 DETAIL[‡]
 G1/A07 1 : 10

‡ THIS FIXING DETAIL IS FOR REFERENCE ONLY, SAMPLE OF RUNNING GEAR SET AND FIXING METHOD SHOULD BE SUBMITTED FOR APPROVAL BEFORE ORDERING.

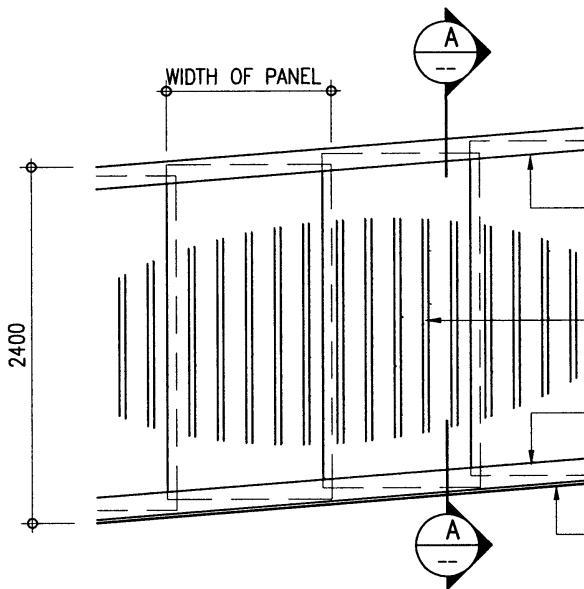


ARCHITECTURAL SERVICES DEPARTMENT

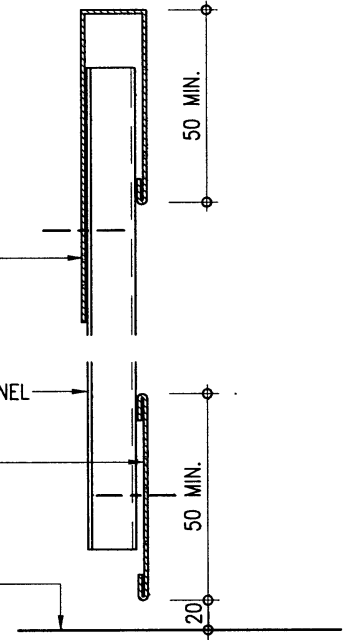
Title	COVERED WALKWAY WITH SINGLE DECK CATCH PLATFORM (SURFACE-MOUNTED FOOTING) CONSTRUCTION DETAILS 3	Scale	as shown	Drawing No.	9711/G1/A07
Checked by	CA/ASC T.S.K. TAM <i>TAM</i>	Date	28.2.11	Approved by	AD(PS) S.W. FONG <i>FONG</i>
				Date	- 1 MAR 2011



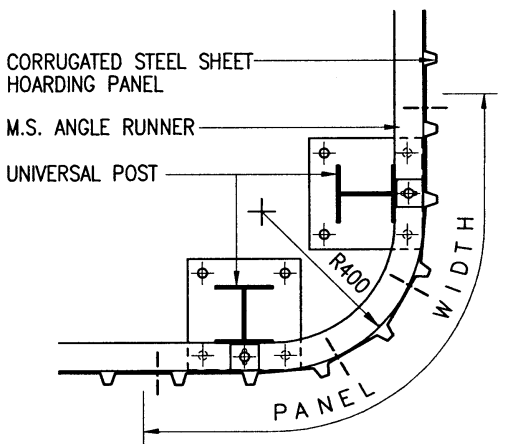
EXTERNAL ELEVATION OF HOARDING PANEL 1 : 50



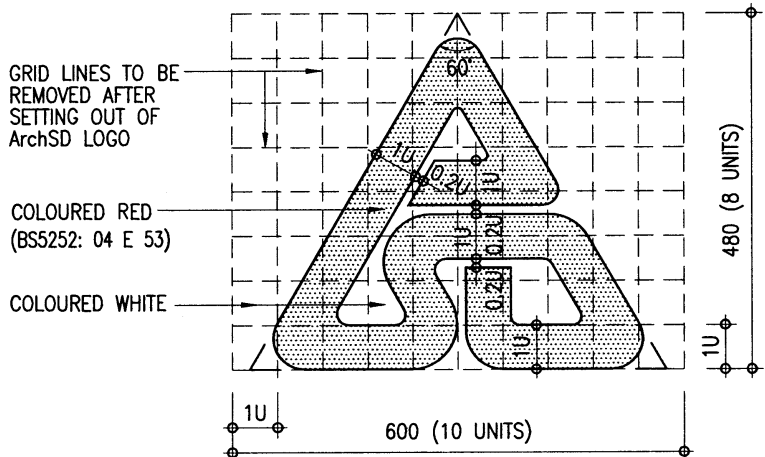
EXTERNAL ELEVATION OF HOARDING PANEL ON SLOPE 1 : 50



SECTION A-A 1 : 5



PLAN OF HOARDING PANEL AT CORNER 1 : 20

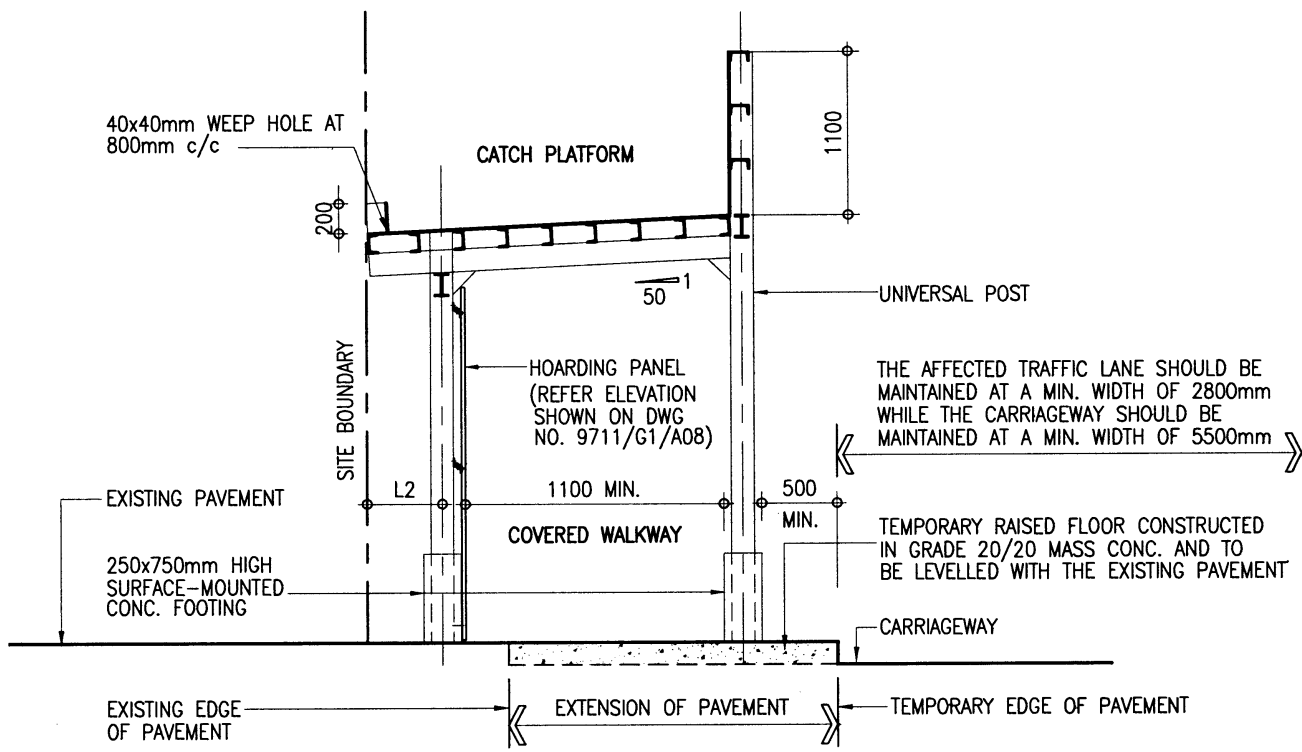


SETTING OUT OF ArchSD LOGO 1 : 10




ARCHITECTURAL SERVICES DEPARTMENT

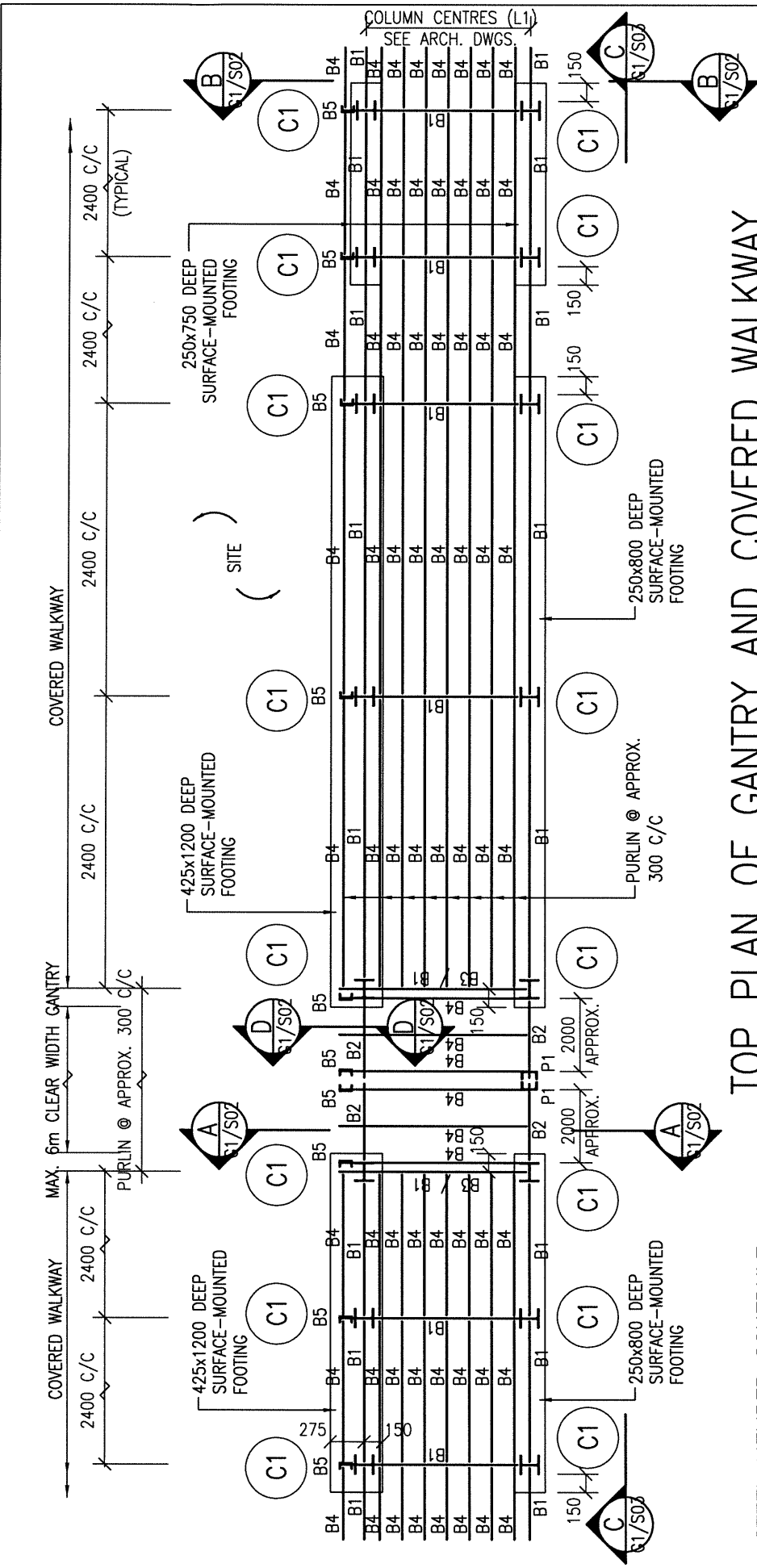
Title TYPE G1 HOARDING	Covered Walkway with Single Deck Catch Platform (Surface-mounted Footing) Construction Details 4	Scale as shown	Drawing No. 9711/G1/A08
	Checked by CA/ASC T.S.K. TAM <i>TAM</i>	Date 28.2.11	Approved by AD(PS) S.W. FONG <i>FONG</i>
			Date - 1 MAR 2011



TYPICAL SECTION

 ARCHITECTURAL SERVICES DEPARTMENT	Title TYPE G1 HOARDING COVERED WALKWAY WITH SINGLE DECK CATCH PLATFORM (SURFACE-MOUNTED FOOTING) SITED ON CARRIAGEWAY/NARROW PAVEMENT	Scale 1 : 50	Drawing No. 9711/G1/A09
	Checked by CA/ASC T.S.K. TAM <i>Swam</i>	Date 28.2.11	Approved by AD(PS) S.W. FONG <i>[Signature]</i>

CAD Ref. - 9711_g1_09(02_11).dwg--1:50



TOP PLAN OF GANTRY AND COVERED WALKWAY

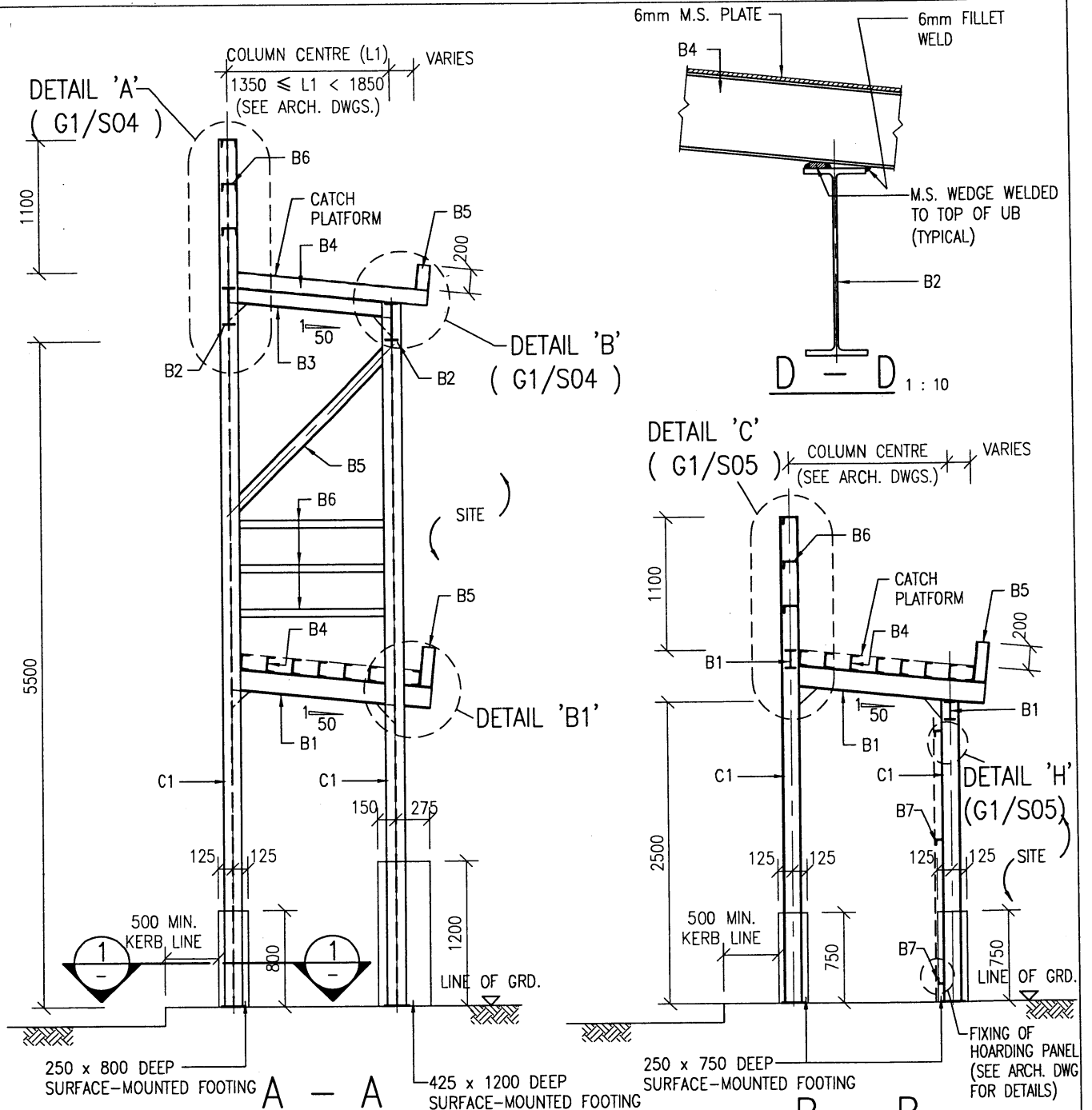
- NOTES :
1. ALL WELDING TO BE 6mm F.W. ALL ROUND IN ACCORDANCE WITH BS EN 1011-1 UNLESS OTHERWISE STATED.
 2. ALL BOLTS TO BE GRADE 4.6 BLACK BOLTS TO BS 4190.
 3. ALL STRUCTURAL SECTIONS SHALL BE WELDABLE STRUCTURAL STEEL OF GRADE S275 UNLESS OTHERWISE SPECIFIED.
 4. THE DETAILS OF GANTRY MAY BE MODIFIED BY PROJECT OFFICER TO SUIT ACTUAL SITE CONDITIONS.
 5. ALL STEEL WORKS SHALL BE MANUALLY CLEANED TO GS CL. 15.61 (i), PRIMED WITH ONE COAT OF OIL BASED ZINC PHOSPHATE PRIMER AND FINISHED WITH TWO FINISHING COATS OF SYNTHETIC PAINT OF ALKYD RESIN BASE.
 6. THE COLUMN CENTRES, L1, SHOULD BE 1350mm \leq L1 < 1850mm.

STEEL MEMBER SCHEDULE

MEMBER MARK	MEMBER SIZE
C1	152 x 152 x 23 UC
B1	152 x 89 x 16 UB
B2	305 x 102 x 28 UB
B3	127 x 76 x 13 UB
B4, B6, P1	127 x 64 x 14.9 CHANNEL
B5	102 x 51 x 10.42 CHANNEL
B7	50 x 50 x 8 ANGLE
B8	70 x 70 x 6 ANGLE

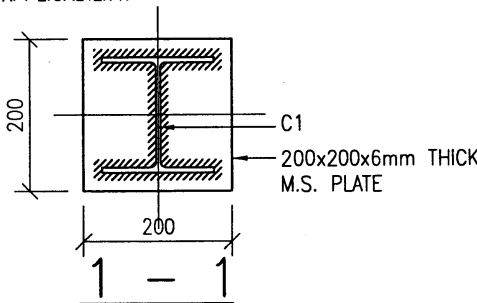
THE SKETCHES ARE PREPARED TO MEET THE GENERAL REQUIREMENTS AS SPECIFIED IN PNAP APP-102 ISSUED BY BD. SIZES OF FOOTINGS MAY BE MODIFIED BY PSE TO SUIT ACTUAL SITE CONDITIONS.

ARCHITECTURAL SERVICES DEPARTMENT	Title COVERED WALKWAY WITH TYPE G1 HOARDING - SINGLE DECK CATCH PLATFORM (SURFACE-MOUNTED FOOTING) STRUCTURAL DETAILS 1	Scale 1 : 50	Drawing No. 9711/G1/S01 (REV. B)
	Checked by CSE/3 K.L. LI	Date 24 FEB 2020	Approved by AD(SE) K.L. TSE



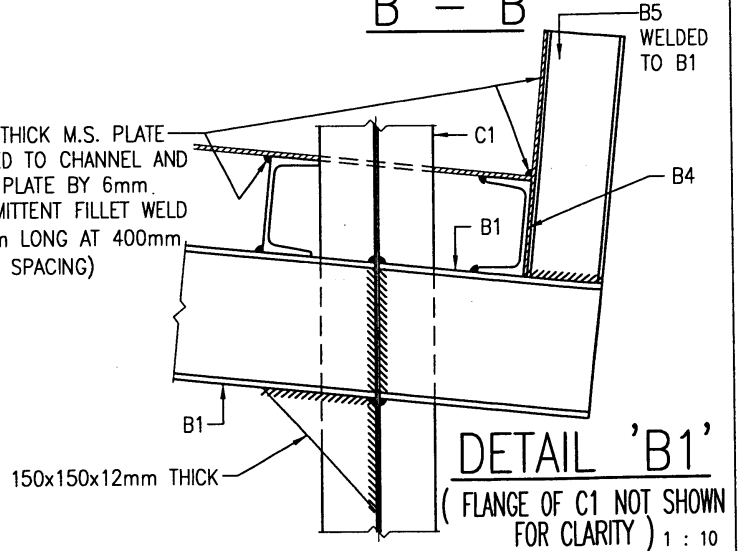
(TYPICAL SECTION OF COVERED WALKWAY)

- NOTES :-
1. ALL FOOTINGS TO BE GRADE 20/20 MASS CONCRETE.
 2. TO BE USED WHEN PAVEMENT IS CONSTRUCTED WITH CONCRETE, CONCRETE PAVER BLOCK OR TARMAC. CONSULT PSE FOR OTHER SURFACE CONDITIONS ON ITS APPLICABILITY.



(FOOTING NOT SHOWN FOR CLARITY)

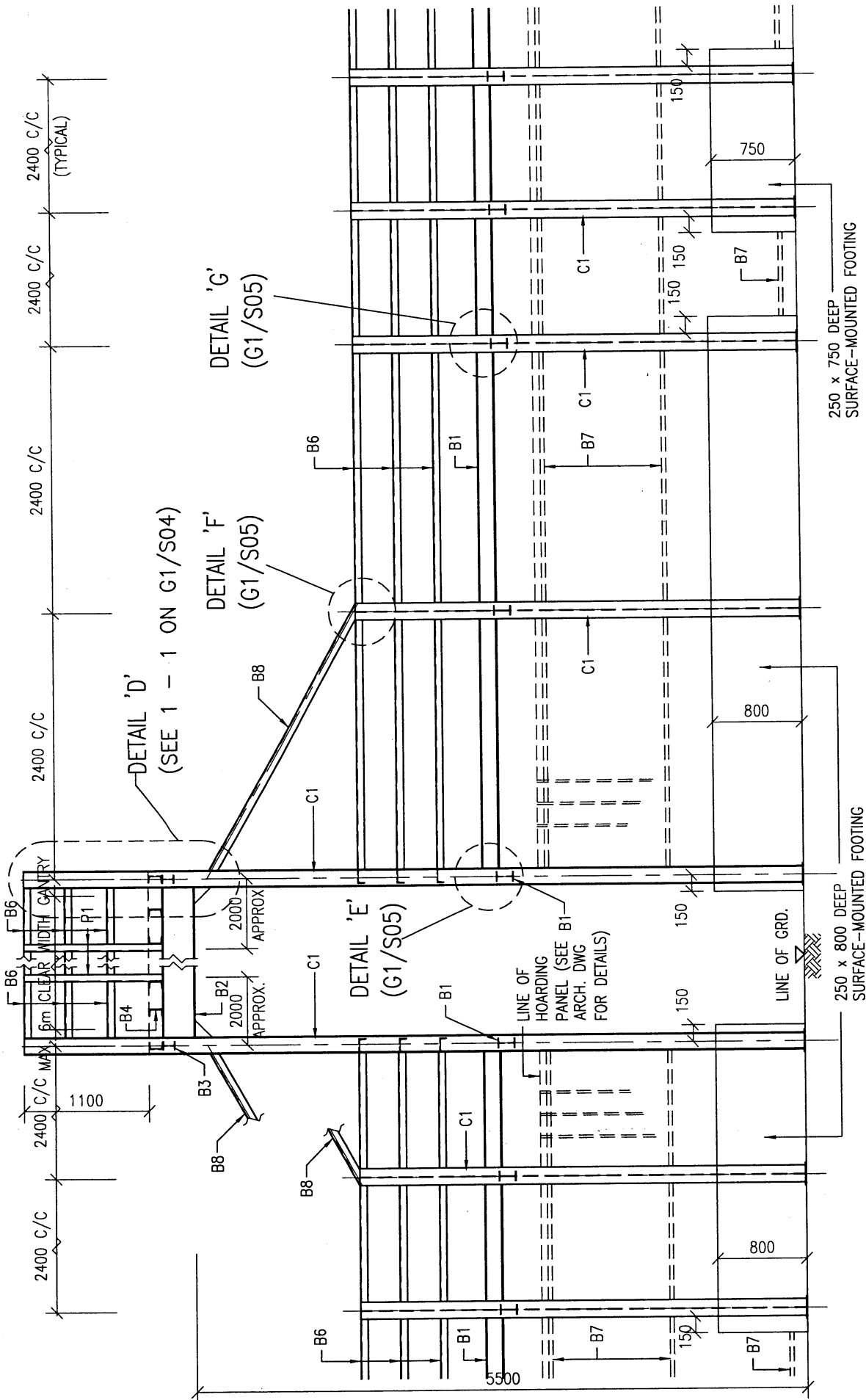
6mm THICK M.S. PLATE WELDED TO CHANNEL AND ROOF PLATE BY 6mm. INTERMITTENT FILLET WELD (50mm LONG AT 400mm CLEAR SPACING)



DETAIL 'B1' (FLANGE OF C1 NOT SHOWN FOR CLARITY) 1 : 10



ARCHITECTURAL SERVICES DEPARTMENT	Title COVERED WALKWAY WITH SINGLE DECK CATCH PLATFORM (SURFACE-MOUNTED FOOTING) STRUCTURAL DETAILS 2	Scale 1 : 50 1 : 10	Drawing No. 9711/G1/S02
	Checked by CSE/3 S.C. KWAN	Date 24/1/11	Approved by AD(SE) W.W. LI



C - C

NOTES :-
 1. ALL FOOTINGS TO BE GRADE 20/20 MASS CONCRETE.



ARCHITECTURAL SERVICES DEPARTMENT

Title
TYPE G1 HOARDING - COVERED WALKWAY WITH SINGLE DECK CATCH PLATFORM (SURFACE-MOUNTED FOOTING) STRUCTURAL DETAILS 3

Scale
 1 : 50

Drawing No.
 9711/G1/S03

Checked by
 CSE/3 S.C. KWAN

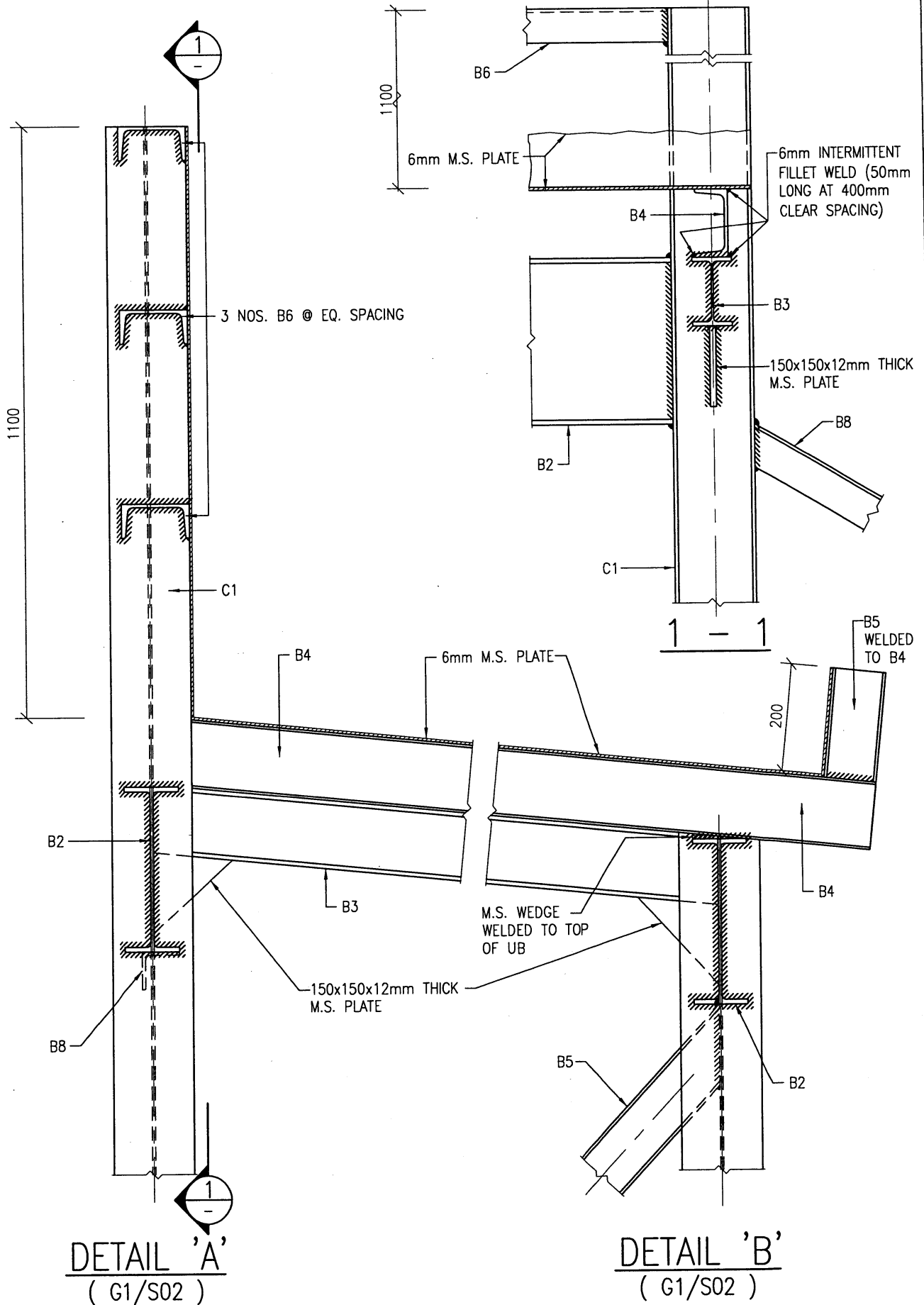
[Signature]

Date
 24/1/11

Approved by
 AD(SE) W.W. LI


[Signature]

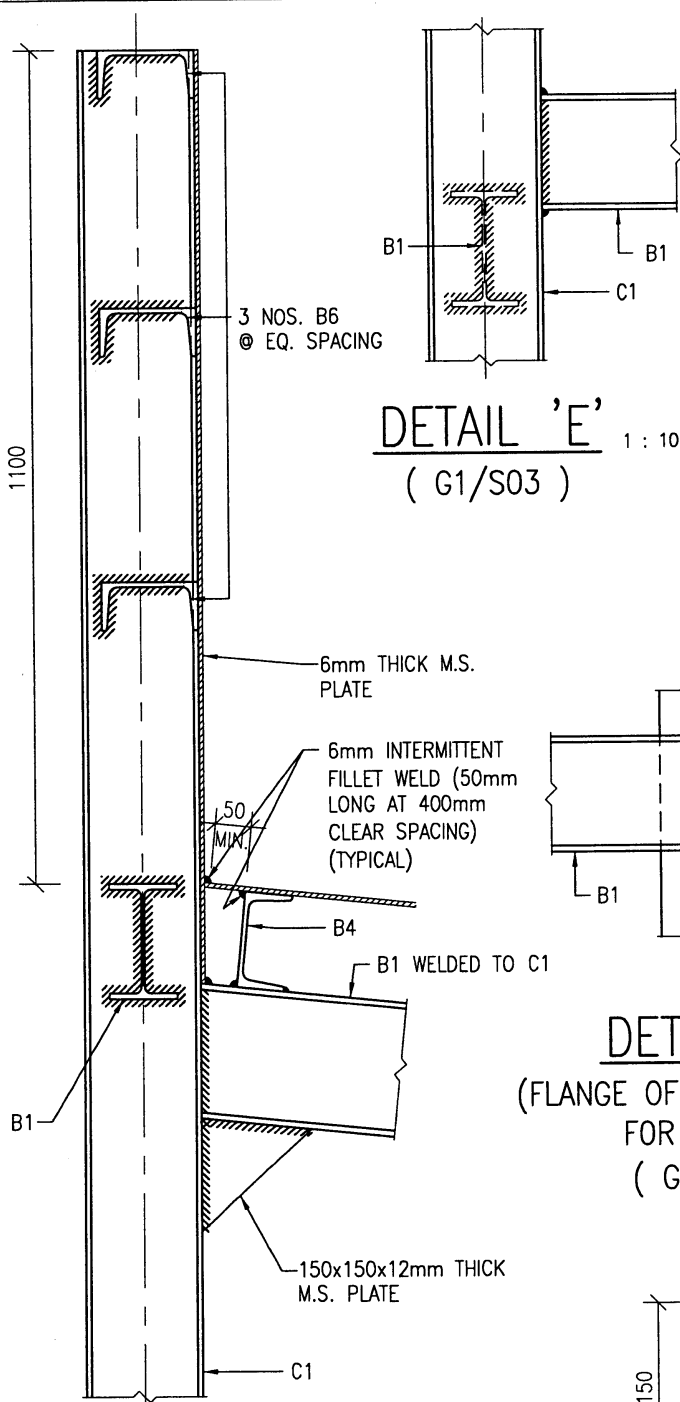
Date
 25.1.11



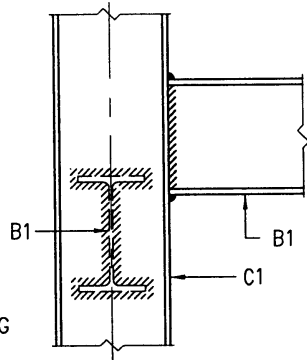
DETAIL 'A'
(G1/S02)

DETAIL 'B'
(G1/S02)

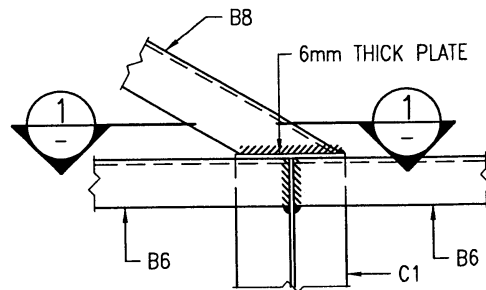
 ARCHITECTURAL SERVICES DEPARTMENT	Title TYPE G1 HOARDING - COVERED WALKWAY WITH SINGLE DECK CATCH PLATFORM (SURFACE-MOUNTED FOOTING) STRUCTURAL DETAILS 4		Scale 1 : 10	Drawing No. 9711/G1/S04
	Checked by CSE/3 S.C. KWAN <i>[Signature]</i>	Date 24/1/11	Approved by AD(SE) W.W. LI <i>[Signature]</i>	Date 25.1.11



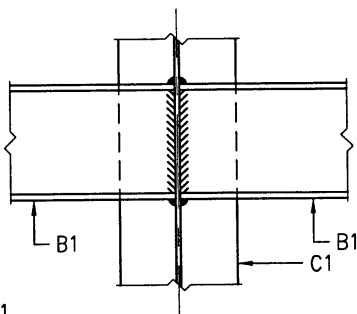
DETAIL 'C' 1 : 10
(G1/S02)



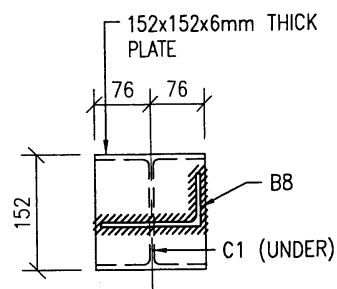
DETAIL 'E' 1 : 10
(G1/S03)



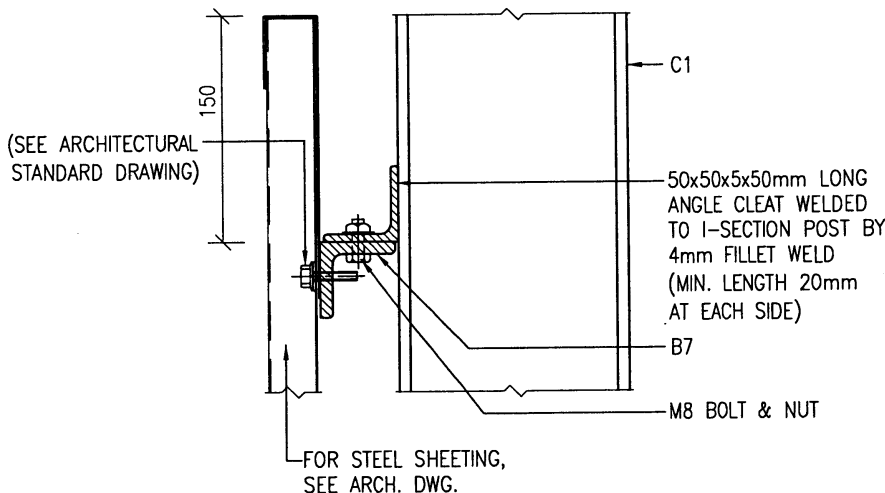
DETAIL 'F' 1 : 10
(FLANGE OF C1 NOT SHOWN FOR CLARITY)
(G1/S03)



DETAIL 'G' 1 : 10
(FLANGE OF C1 NOT SHOWN FOR CLARITY)
(G1/S03)



1 - 1 1 : 10
(B6 NOT SHOWN FOR CLARITY)



DETAIL 'H' 1 : 5
(G1/S02)



ARCHITECTURAL SERVICES DEPARTMENT

Title
COVERED WALKWAY WITH SINGLE DECK CATCH PLATFORM (SURFACE-MOUNTED FOOTING) STRUCTURAL DETAILS 5

Scale
1 : 10
1 : 5

Drawing No.
9711/G1/S05

Checked by
CSE/3 S.C. KWAN *[Signature]*

Date
24/1/11

Approved by
AD(SE) W.W. LI *[Signature]*


Date
25.1.11

GENERAL NOTES FOR CONSTRUCTION OF TYPE G2 HOARDINGS AND COVERED WALKWAYS INCLUDING ASSOCIATED GANTRIES AND CATCH PLATFORMS

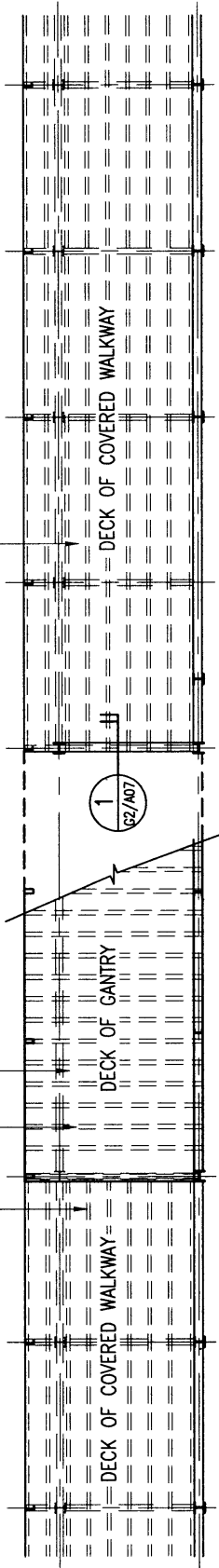
1. THE ARCHITECT SHALL ENSURE THAT THE CONSTRUCTION OF HOARDINGS AND COVERED WALKWAYS SHALL COMPLY WITH THE REQUIREMENTS STIPULATED IN THE CURRENTLY ENFORCED BUILDINGS ORDINANCE/ BUILDING REGULATIONS, AND THE RELEVANT CODES OF PRACTICE AND PNAPS ISSUED BY THE BUILDINGS DEPARTMENT.
2. THE STANDARD DRAWINGS ARE ONLY APPLICABLE FOR HOARDINGS/COVERED WALKWAYS WITH WIDTH OF COVERED WALKWAY (L1)* MEASURED BETWEEN COLUMN CENTRES IN THE RANGE : $1850\text{mm} \leq L1 \leq 3000\text{mm}$. FOR THE WIDTH (L1) IN THE RANGE: $1350\text{mm} \leq L1 < 1850\text{mm}$, PLEASE REFER TYPE G1 HOARDING.

FOR THE WIDTH (L1) OUTSIDE THE RANGE OF 1350mm AND 3000mm, THE ADEQUACY OF THE STRUCTURAL PROVISION SHALL BE JUSTIFIED WITH STRUCTURAL CALCULATION.

* IN THE DETERMINATION OF THE WIDTH (L1), THE ARCHITECT SHALL ENSURE THE PROVISION OF THE MINIMUM CLEAR WIDTH (W1) OF HOARDING/COVERED WALKWAY. PLEASE REFER NOTE 3.
3. THE MINIMUM CLEAR WIDTH (W1) OF HOARDING/COVERED WALKWAY SITED ON A CARRIAGEWAY OR FOOTPATH SHALL BE PROVIDED IN ACCORDANCE WITH PNAP APP-23. WHEN THE WIDTH (W1) IS LESS THAN THE MINIMUM WIDTH AS STIPULATED UNDER PNAP APP-23, APPROVAL/AGREEMENT FROM HIGHWAYS DEPARTMENT AND OTHER RELEVANT AUTHORITIES SHALL BE OBTAINED BEFORE THE CONSTRUCTION.
4. FOR DEMOLITION WORKS, THE MAXIMUM PERMITTED WORKING SPACE BETWEEN THE HOARDING/COVERED WALKWAY AND THE SITE BOUNDARY (L2) SHALL NOT BE GREATER THAN 500mm IN ACCORDANCE WITH THE CODE OF PRACTICE FOR DEMOLITION OF BUILDINGS. FOR OTHER WORKS, THE WORKING SPACE (L2) SHALL NOT BE GREATER THAN 300mm IN ACCORDANCE WITH PNAP APP-23.
5. THE MINIMUM WIDTH OF CATCH PLATFORM (W2) FOR DEMOLITION WORKS SHALL BE PROVIDED IN ACCORDANCE WITH THE CODE OF PRACTICE FOR DEMOLITION OF BUILDINGS.
6. A TEMPORARY LIGHTING SYSTEM SHALL BE PROVIDED FOR ALL COVERED WALKWAYS OF BUILDING SITES AND BE MAINTAINED IN GOOD ORDER IN ACCORDANCE WITH PNAP APP-23.
7. THE EXPOSED FACES OF THE CONCRETE PLINTH SHALL BE OF SMOOTH SURFACE AND ANY EXPOSED EDGES AND CORNERS SHALL BE CHAMFERED.
8. THE ARCHITECT SHALL, IN CONJUNCTION WITH THE PROJECT MANAGER, ASSESS THE NEED FOR HOARDING WITH SPECIAL DESIGN. PLEASE REFER TO THE "GUIDELINES FOR ENHANCEMENT OF HOARDING DESIGN FOR CONSTRUCTION SITES" IN ANNEX 3.A.18 OF THE PROJECT ADMINISTRATION HANDBOOK.
9. ALL METALWORK REFERRED IN THE DRAWINGS SHALL COMPLY WITH SECTION 17 OF THE GENERAL SPECIFICATION FOR BUILDING 2017 EDITION PUBLISHED BY THE ARCHITECTURAL SERVICES DEPARTMENT OR THEREAFTER.
10. ALL CORRUGATED STEEL SHEET PANELS, CAPPINGS AND TOE SHEETS SHALL BE OF GALVANIZED STEEL WITH COATING IN ACCORDANCE WITH SECTION 21 OF THE GENERAL SPECIFICATION FOR BUILDING 2017 EDITION PUBLISHED BY THE ARCHITECTURAL SERVICES DEPARTMENT OR THEREAFTER.
11. ALL EXPOSED SURFACES OF METALWORK SHALL BE PAINTED IN MID GREY COLOUR (BS5252: 10 A 07) UNLESS STATED OTHERWISE.
12. THE JOINTS/GAPS AT THE DECK OF THE COVERED WALKWAY/GANTRY SHALL BE PROPERLY SEALED WITH SEALANT OR TAPE AND BE MAINTAINED IN GOOD REPAIR TO AVOID GENERATION OF PUBLIC NUISANCE INCLUDING WATER DRIPPING.
13. THIS DRAWING SHOULD BE READ IN CONJUNCTION WITH ARCHITECTURAL DRAWINGS NO. 9711/G2/A02 TO A08 AND STRUCTURAL DRAWINGS NO. 9711/G2/S01 TO S05.
14. ALL DIMENSIONS SHOWN IN THE ARCHITECTURAL DRAWINGS NO. 9711/G2/A02 TO A08 ARE STRUCTURAL MEASUREMENT IN MILLIMETERS UNLESS STATED OTHERWISE.
15. THE ARCHITECT SHALL APPROACH ALL RELEVANT GOVERNMENT DEPARTMENTS SUCH AS THE HIGHWAYS DEPARTMENT AND TRANSPORT DEPARTMENT TO OBTAIN THEIR COMMENTS AND/OR APPROVALS ON THE HOARDING PROPOSAL BEFORE THE CONSTRUCTION.

 ARCHITECTURAL SERVICES DEPARTMENT	Title TYPE G2 HOARDING	COVERED WALKWAY WITH SINGLE DECK CATCH PLATFORM (SURFACE-MOUNTED FOOTING) GENERAL NOTES	Scale NIL	Drawing No. 9711/G2/A01
	Checked by CA/ASC W.H. LEE <i>W.H. Lee</i>	Date 11.4.2018	Approved by AD(PS) C.K. HUI <i>C.K. Hui</i>	Date 12.4.2018

CHANNEL PURLINS AT APPROX. 300mm c/c
6mm TH. M.S. PLATE WELDED TO CHANNEL PURLINS



PLAN

250x750mm HIGH SURFACE-MOUNTED CONC. FOOTING

250x800mm HIGH SURFACE-MOUNTED CONC. FOOTING AT THE FIRST TWO BAYS ADJACENT TO THE GANTRY ONLY

G.M.S. SLIDING & FOLDING GATE W/ MESH DOOR PANEL AND HASP & STAPLE FOR PAD LOCK (DESIGN AND CONSTRUCTION DETAILS SUBJECT TO ARCHITECT'S APPROVAL)

MAX. 6000 CLEAR WIDTH GANTRY

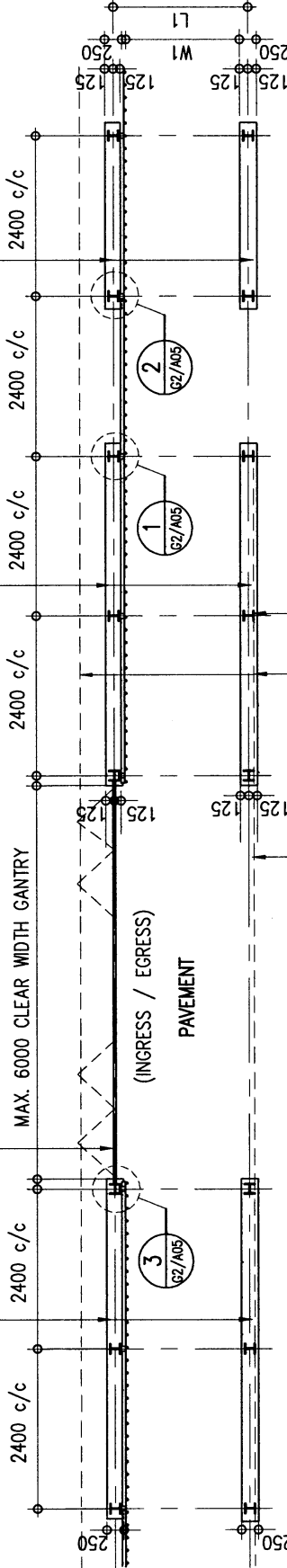
(INGRESS / EGRESS)

PAVEMENT

ROOF LINE OF GANTRY ABOVE

ROOF LINE OF COVERED WALKWAY ABOVE

UNIVERSAL POST AT 2400mm c/c

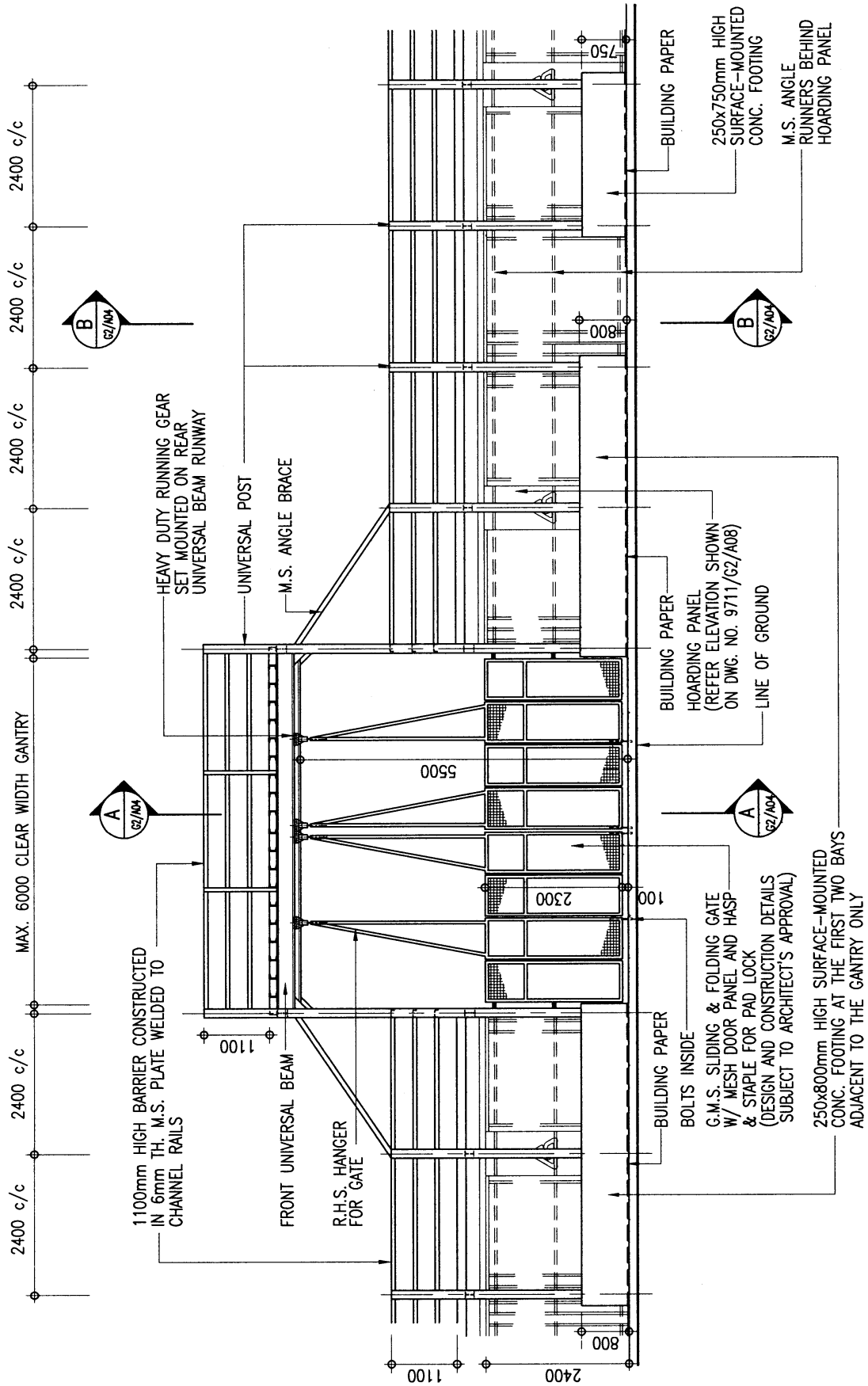


SECTIONAL PLAN



ARCHITECTURAL SERVICES DEPARTMENT

Checked by CA/ASC T.S.K. TAM <i>T.S.K. TAM</i>	Title	COVERED WALKWAY WITH SINGLE DECK CATCH PLATFORM (SURFACE-MOUNTED FOOTING) PLANS	Scale	Drawing No.
	Date	28.2.11	1 : 100	9711/G2/A02
	Approved by	AD(PS) S.W. FONG <i>S.W. FONG</i>		Date
				1 MAR 2011



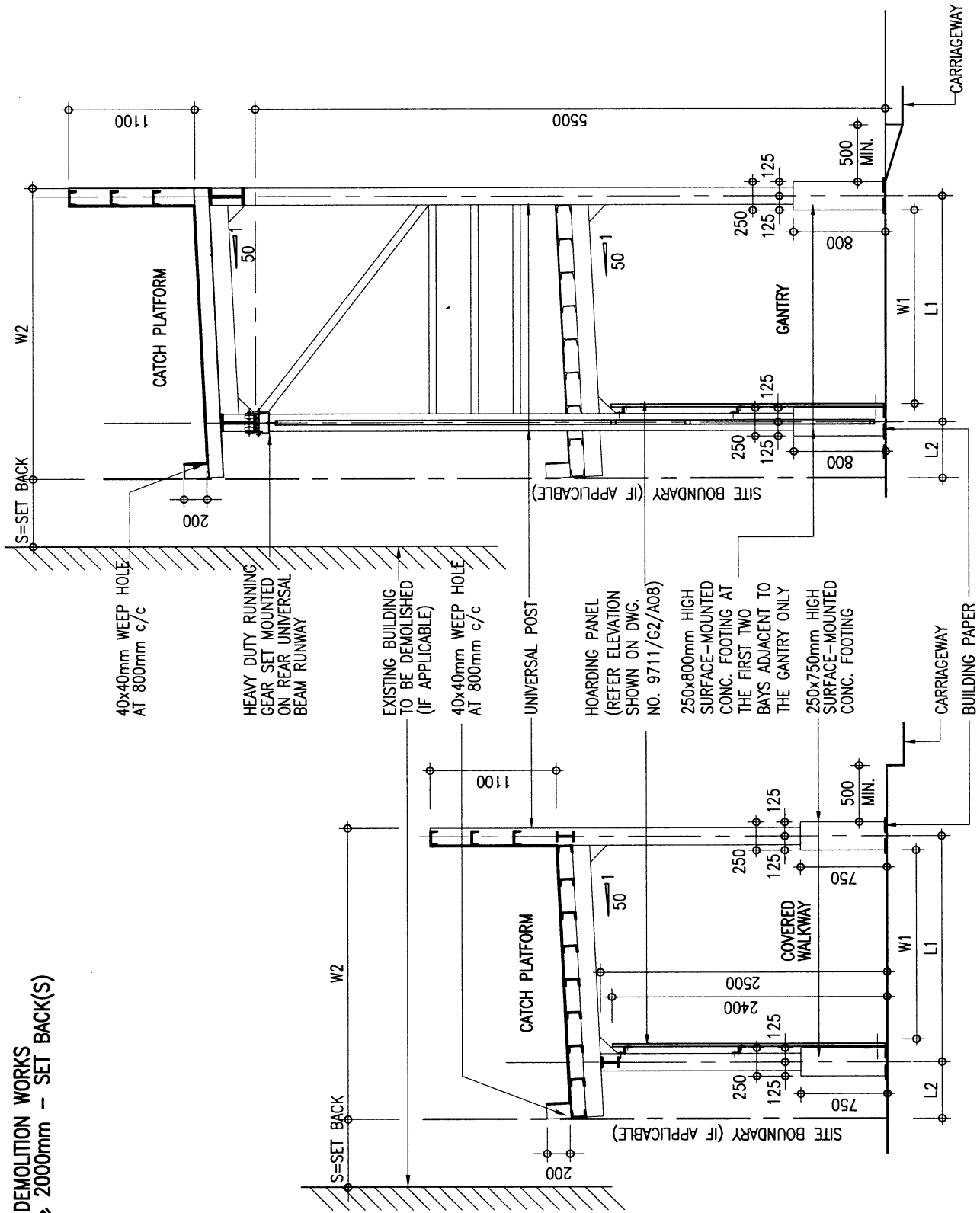
FRONT ELEVATION



ARCHITECTURAL SERVICES DEPARTMENT

Title TYPE G2 HOARDING	COVERED WALKWAY WITH SINGLE DECK CATCH PLATFORM (SURFACE-MOUNTED FOOTING) ELEVATION	Scale 1 : 100	Drawing No. 9711/G2/A03
Checked by CA/ASC T.S.K. TAM <i>T.S.K. TAM</i>	Date 28.2.11	Approved by AD(PS) S.W. FONG <i>S.W. FONG</i>	Date - 1 MAR 2011

FOR DEMOLITION WORKS
 W2 > 2000mm - SET BACK(S)



SECTION A-A

SECTION B-B



ARCHITECTURAL
 SERVICES
 DEPARTMENT

Title TYPE G2 HOARDING	COVERED WALKWAY WITH SINGLE DECK CATCH PLATFORM (SURFACE-MOUNTED FOOTING) SECTIONS	Scale 1 : 50	Drawing No. 9711/G2/A04
Checked by CA/ASC T.S.K. TAM <i>TAM</i>	Date 28.2.11	Approved by AD(PS) S.W. FONG <i>FONG</i>	Date 1 MAR 2011



ARCHITECTURAL
SERVICES
DEPARTMENT

Title

TYPE G2 HOARDING

COVERED WALKWAY WITH
SINGLE DECK CATCH PLATFORM
(SURFACE-MOUNTED FOOTING)
CONSTRUCTION DETAILS 1

Scale

1 : 10

Drawing No.

9711/G2/A05

Checked by
CA/ASC T.S.K. TAM

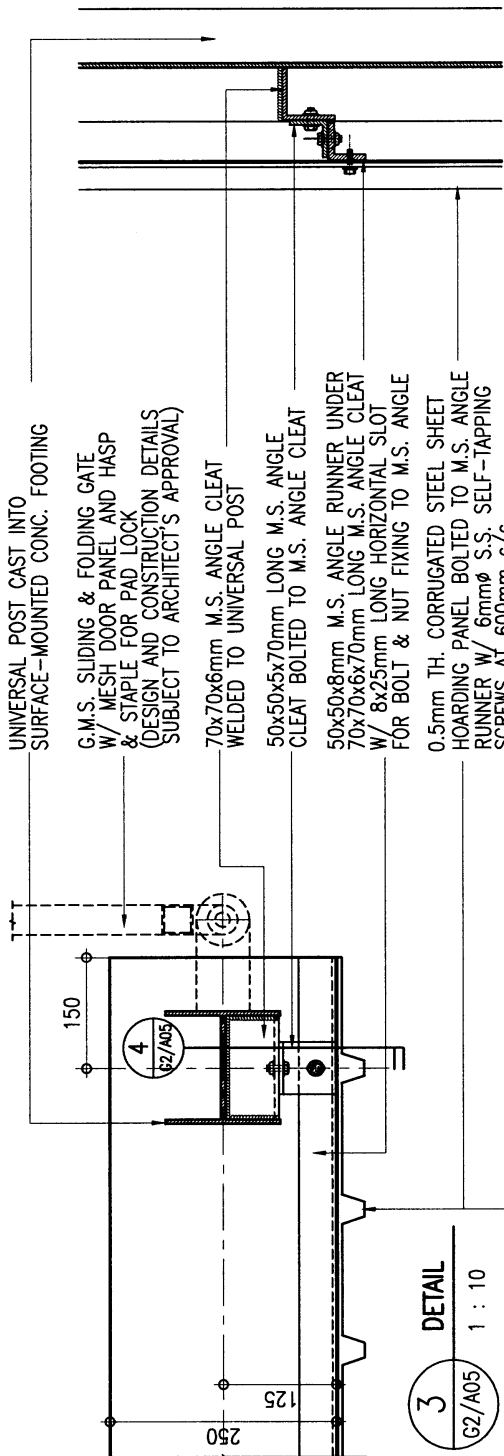
TAM

Date
28.2.11

Approved by
AD(PS) S.W. FONG

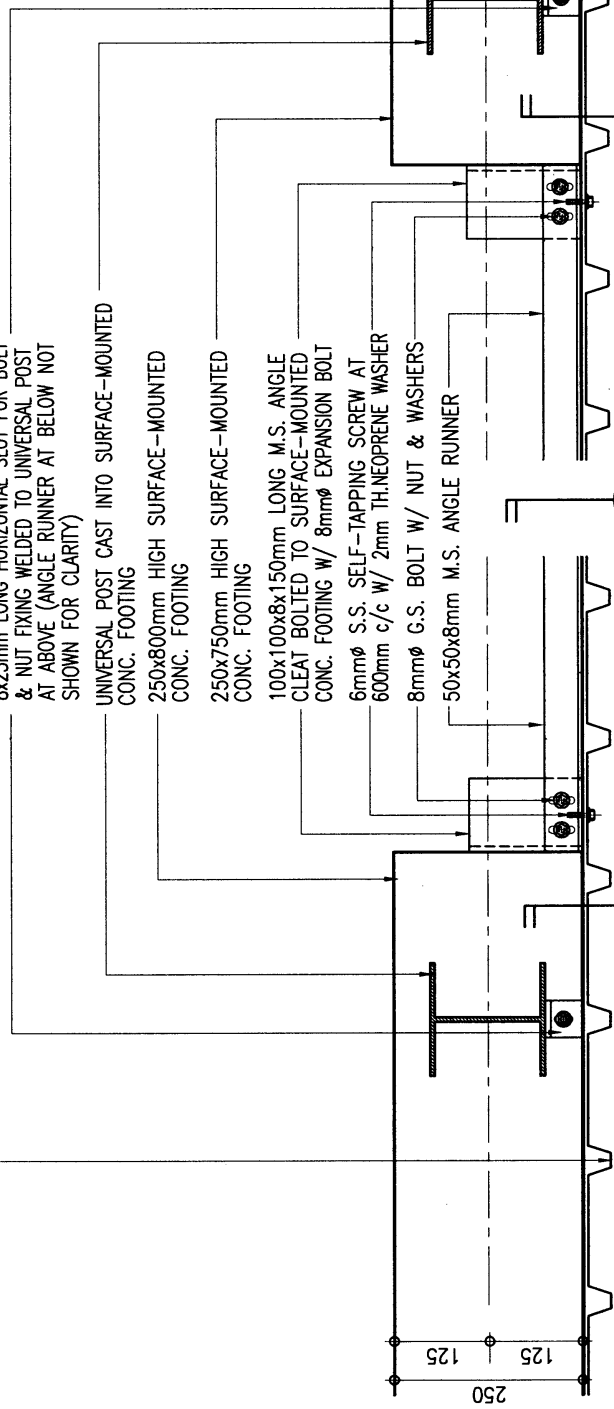
FONG

Date
1 MAR 2011



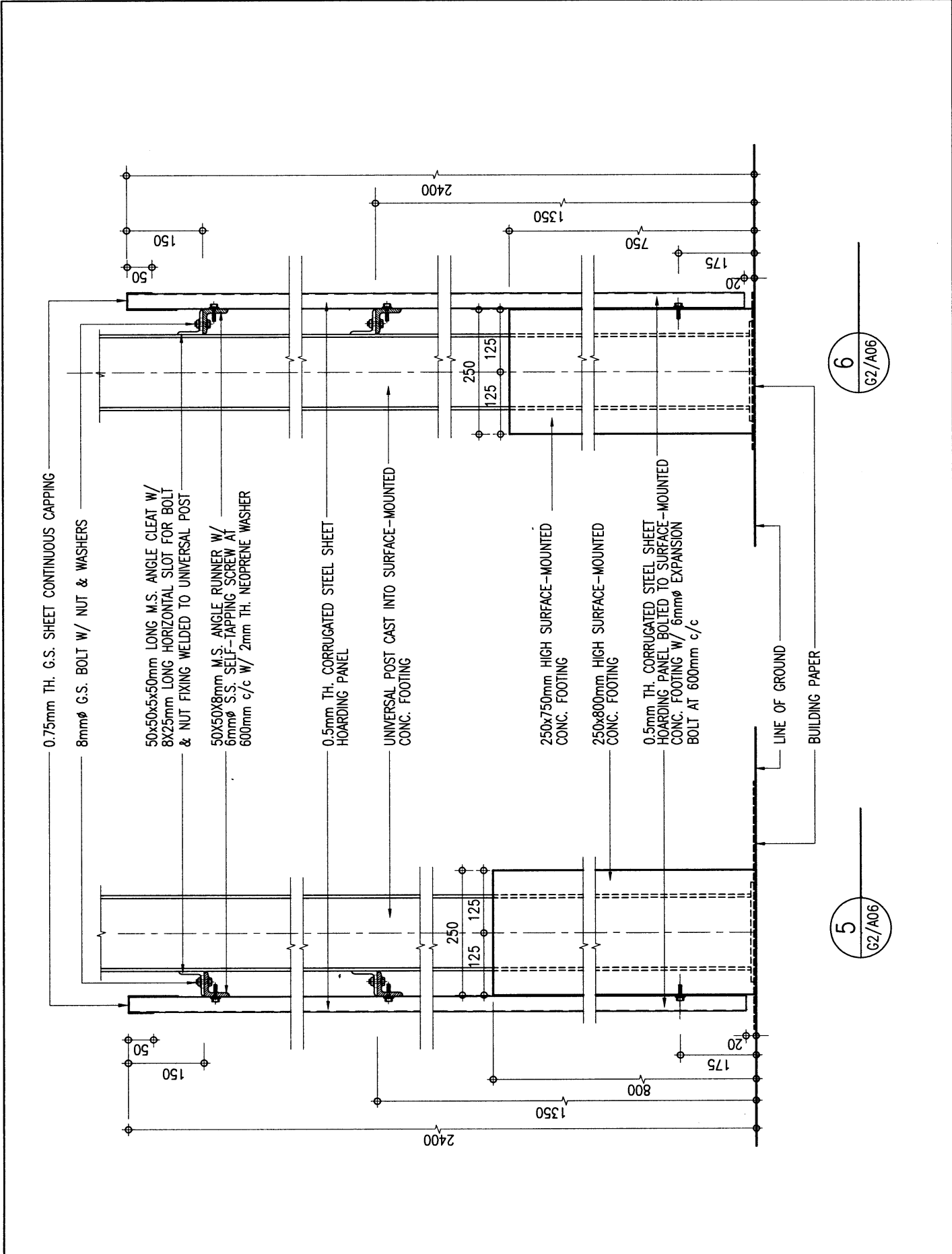
3 DETAIL
G2/A05 1 : 10

4 DETAIL
G2/A05 1 : 10



1 DETAIL
G2/A05 1 : 10

2 DETAIL
G2/A05 1 : 10



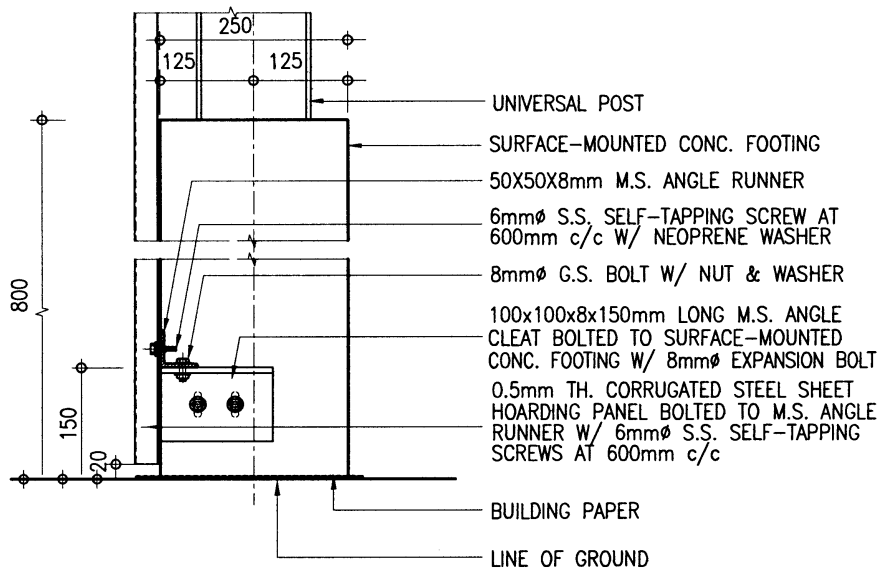
6
G2/A06

5
G2/A06

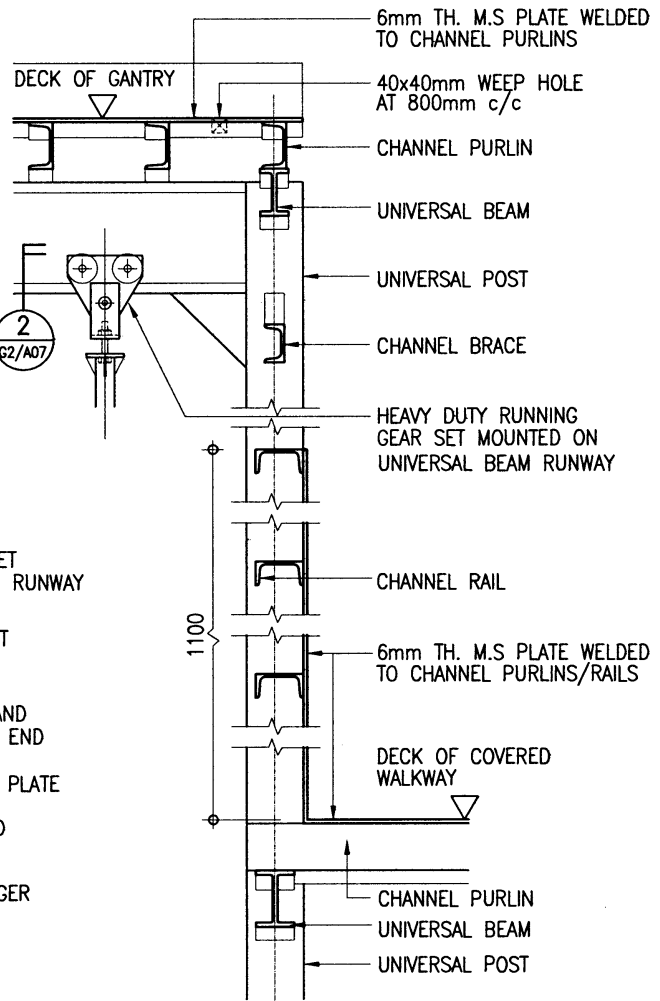


ARCHITECTURAL SERVICES DEPARTMENT

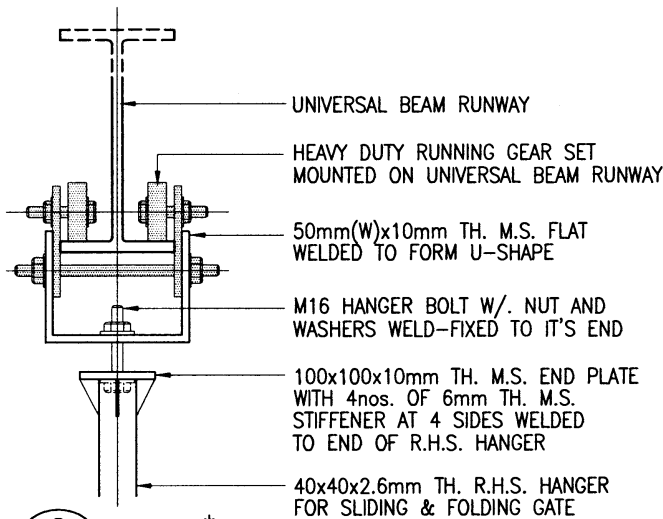
Title TYPE G2 HOARDING	COVERED WALKWAY WITH SINGLE DECK CATCH PLATFORM (SURFACE-MOUNTED FOOTING) CONSTRUCTION DETAILS 2	Scale 1 : 10	Drawing No. 9711/G2/A06
Checked by CA/ASC T.S.K. TAM <i>T.S.K. TAM</i>	Date 28.2.11	Approved by AD(PS) S.W. FONG <i>S.W. FONG</i>	Date 1 MAR 2011



3 DETAIL (ALSO APPLICABLE TO 250X750mm SURFACE-MOUNTED CONC. FOOTING)
G2/A07 1 : 10



1 DETAIL
G2/A07 1 : 20



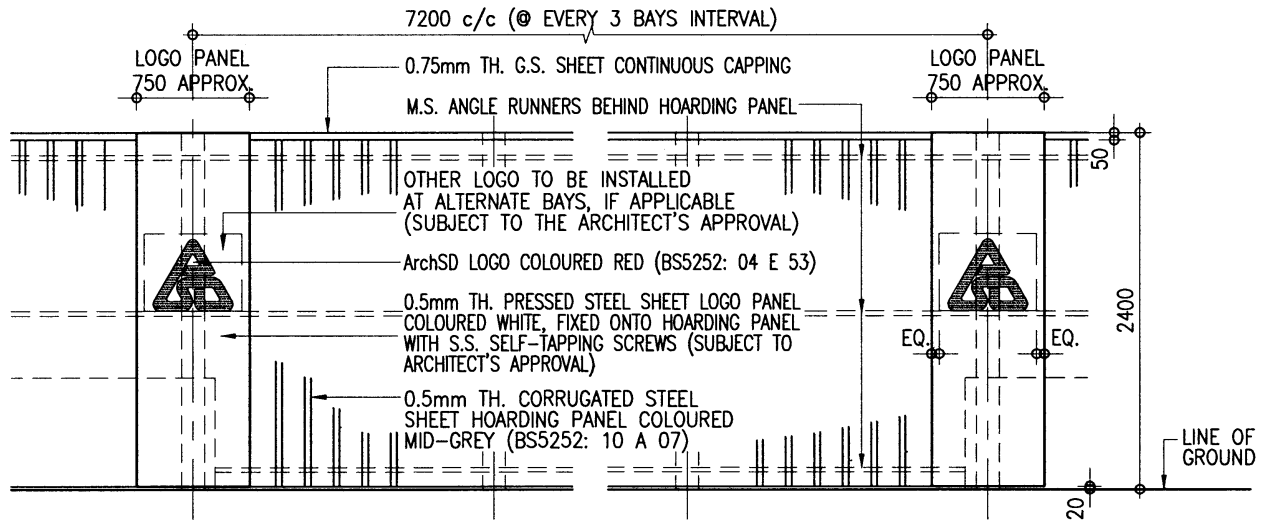
2 DETAIL*
G2/A07 1 : 10

* THIS FIXING DETAIL IS FOR REFERENCE ONLY, SAMPLE OF RUNNING GEAR SET AND FIXING METHOD SHOULD BE SUBMITTED FOR APPROVAL BEFORE ORDERING.

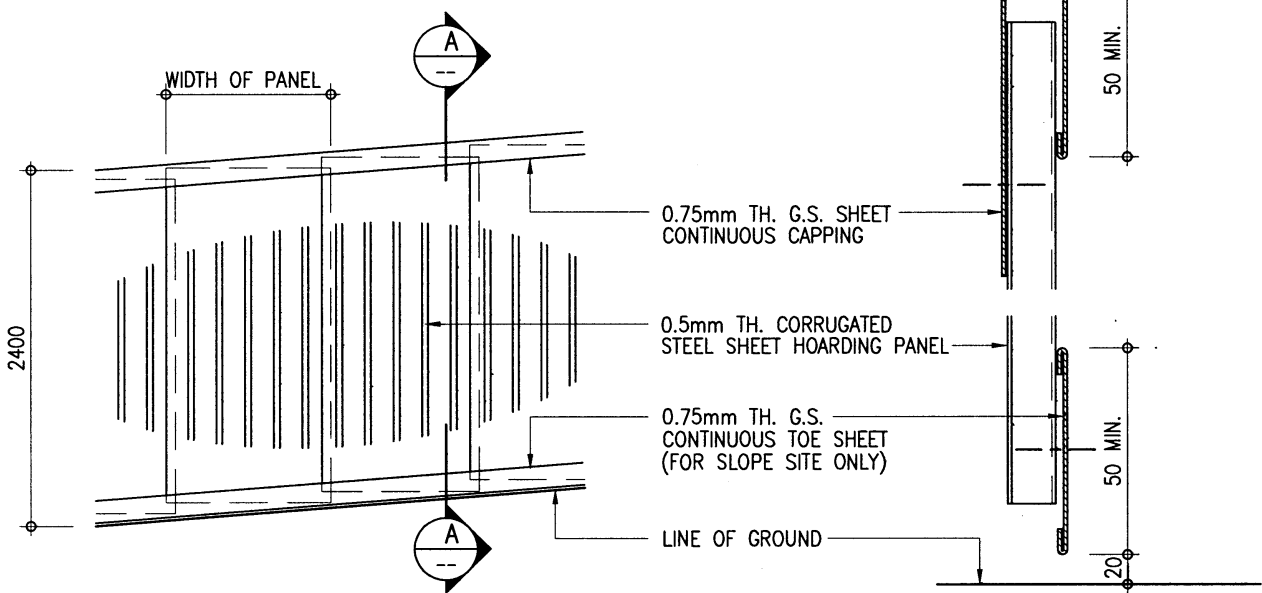


ARCHITECTURAL SERVICES DEPARTMENT

Title	COVERED WALKWAY WITH SINGLE DECK CATCH PLATFORM (SURFACE-MOUNTED FOOTING) CONSTRUCTION DETAILS 3	Scale	as shown	Drawing No.	9711/G2/A07
Checked by	CA/ASC T.S.K. TAM <i>T.S.K. TAM</i>	Date	28.2.11	Approved by	AD(PS) S.W. FONG <i>S.W. FONG</i>
				Date	1 MAR 2011

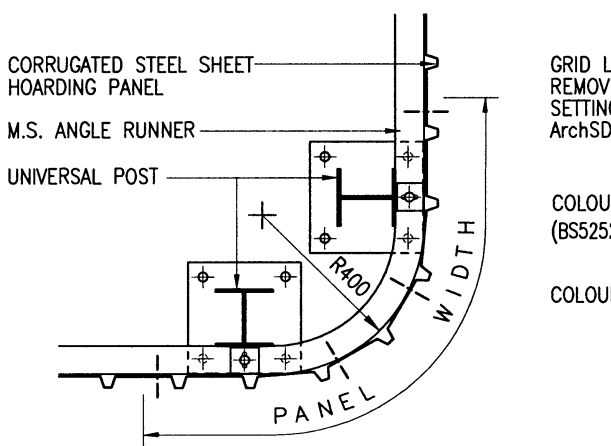


EXTERNAL ELEVATION OF HOARDING PANEL 1 : 50

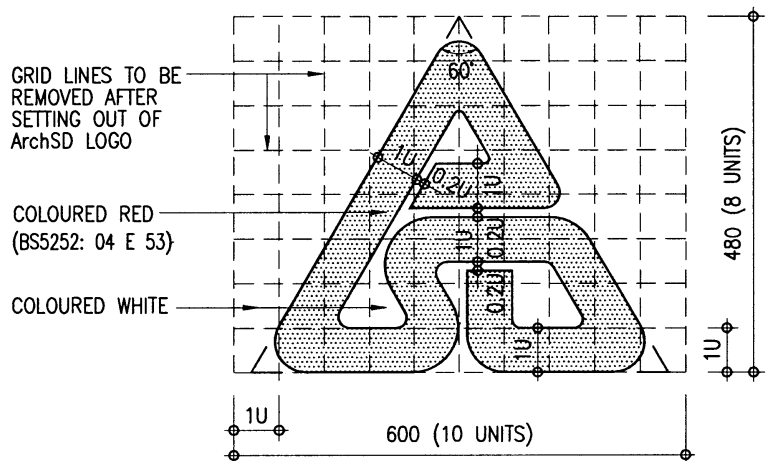


EXTERNAL ELEVATION OF HOARDING PANEL ON SLOPE 1 : 50

SECTION A-A 1 : 5



PLAN OF HOARDING PANEL AT CORNER 1 : 20



SETTING OUT OF ArchSD LOGO 1 : 10



ARCHITECTURAL SERVICES DEPARTMENT

Title

TYPE G2 HOARDING

COVERED WALKWAY WITH SINGLE DECK CATCH PLATFORM (SURFACE-MOUNTED FOOTING) CONSTRUCTION DETAILS 4

Scale

as shown

Drawing No.

9711/G2/A08

Checked by

CA/ASC T.S.K. TAM *T.S.K. TAM*

Date

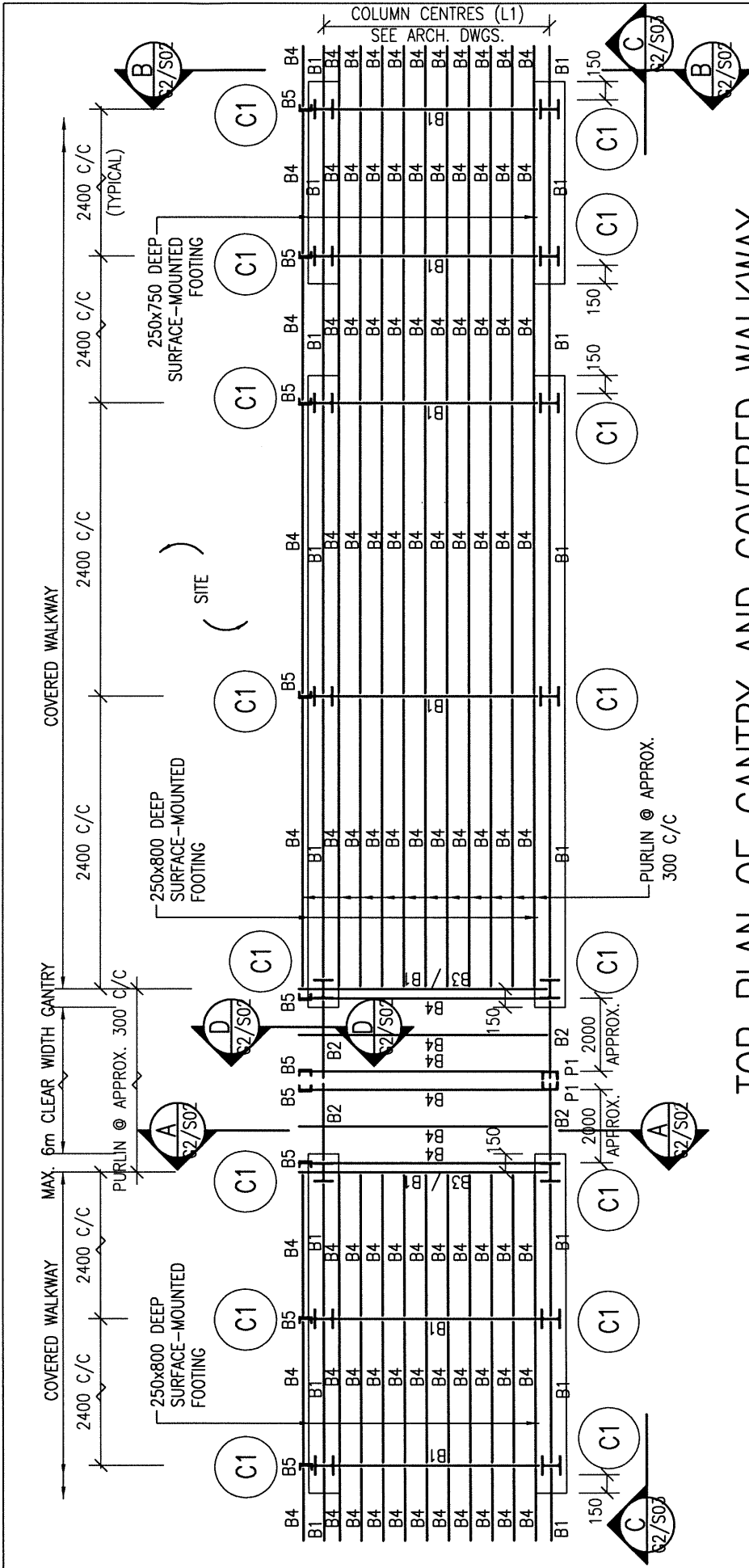
28.2.11

Approved by

AD(PS) S.W. FONG *S.W. FONG*

Date

- 1 MAR 2011



TOP PLAN OF GANTRY AND COVERED WALKWAY

- NOTES :
1. ALL WELDING TO BE 6mm F.W. ALL ROUND IN ACCORDANCE WITH BS EN 1011-1 UNLESS OTHERWISE STATED.
 2. ALL BOLTS TO BE GRADE 4.6 BLACK BOLTS TO BS 4190.
 3. ALL STRUCTURAL SECTIONS SHALL BE WELDABLE STRUCTURAL STEEL OF GRADE S275 UNLESS OTHERWISE SPECIFIED.
 4. THE DETAILS OF GANTRY MAY BE MODIFIED BY PROJECT OFFICER TO SUIT ACTUAL SITE CONDITIONS.
 5. ALL STEEL WORKS SHALL BE MANUALLY CLEANED TO GS CL. 15.61 (i), PRIMED WITH ONE COAT OF OIL BASED ZINC PHOSPHATE PRIMER AND FINISHED WITH TWO FINISHING COATS OF SYNTHETIC PAINT OF ALKYD RESIN BASE.
 6. THE COLUMN CENTRES, L1, SHOULD BE 1850mm \leq L1 \leq 3000mm.

STEEL MEMBER SCHEDULE

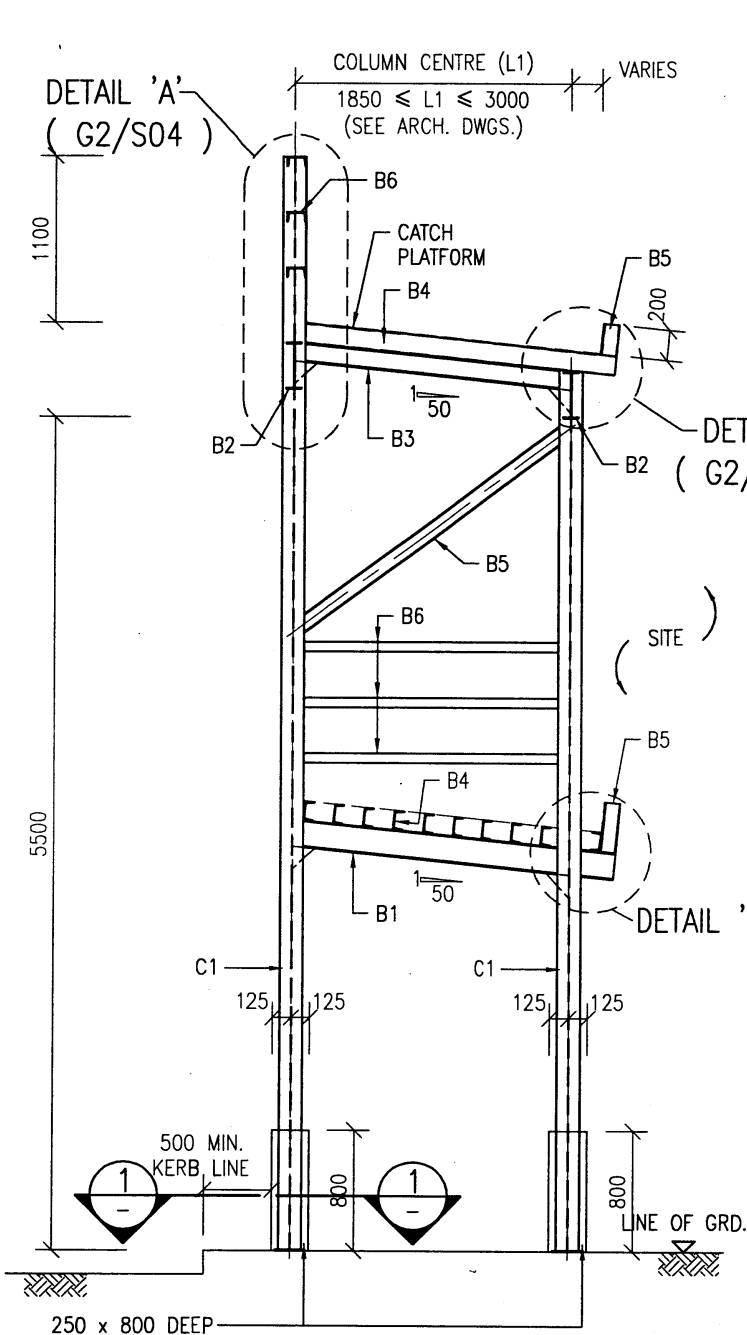
MEMBER MARK	MEMBER SIZE
C1	152 x 152 x 23 UC
B1	152 x 89 x 16 UB
B2	305 x 102 x 28 UB
B3	127 x 76 x 13 UB
B4, B6, P1	127 x 64 x 14.9 CHANNEL
B5	102 x 51 x 10.42 CHANNEL
B7	50 x 50 x 8 ANGLE
B8	70 x 70 x 6 ANGLE

THE SKETCHES ARE PREPARED TO MEET THE GENERAL REQUIREMENTS AS SPECIFIED IN PNAF APP-102 ISSUED BY BD. SIZES OF FOOTINGS MAY BE MODIFIED BY PSE TO SUIT ACTUAL SITE CONDITIONS.



ARCHITECTURAL SERVICES DEPARTMENT

Title COVERED WALKWAY WITH TYPE G2 HOARDING - SINGLE DECK CATCH PLATFORM (SURFACE-MOUNTED FOOTING) STRUCTURAL DETAILS 1		Scale 1 : 50	Drawing No. 9711/G2/S01 (REV. B)
Checked by CSE/3 K.L. LI	Date 24 FEB 2020	Approved by AD(SE) K.L. TSE	Date 26 FEB 2020



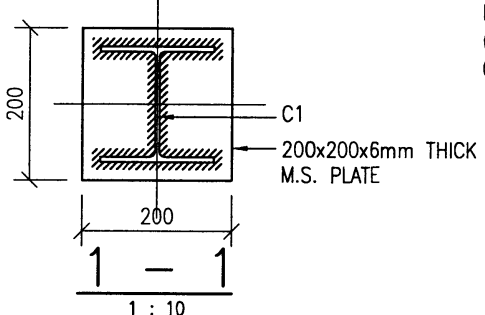
DETAIL 'A'
(G2/S04)

DETAIL 'B'
(G2/S04)

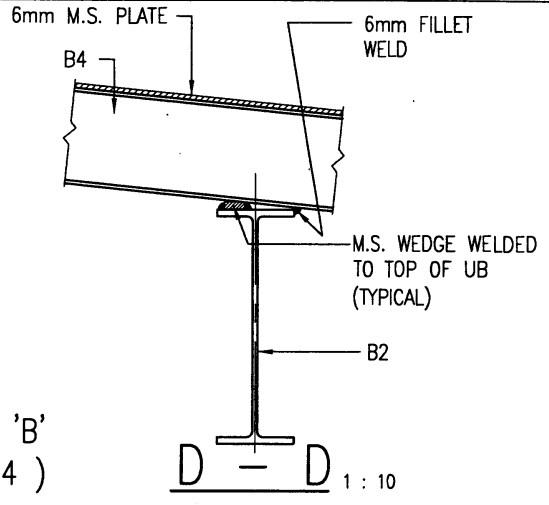
DETAIL 'B1'

250 x 800 DEEP
SURFACE-MOUNTED FOOTING **A - A**
(TYPICAL SECTION OF COVERED WALKWAY)

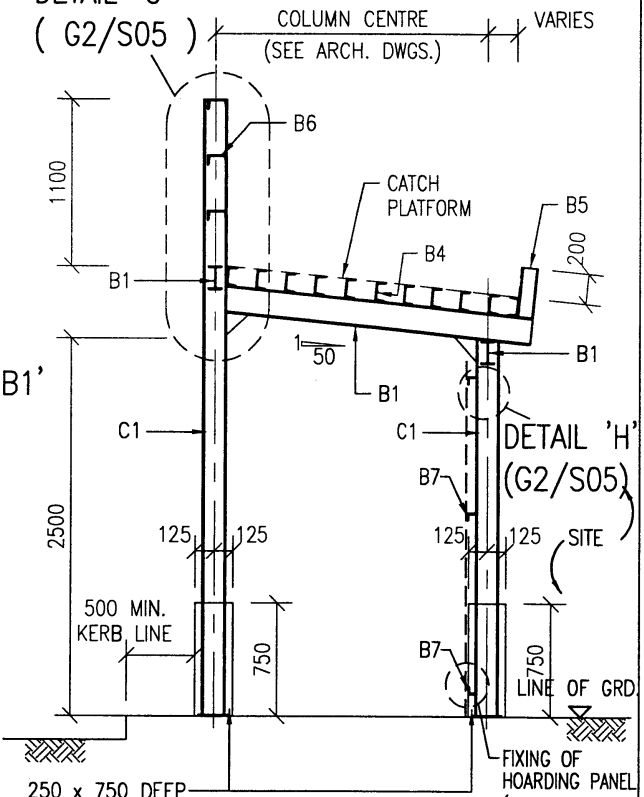
- NOTES :-
1. ALL FOOTINGS TO BE GRADE 20/20 MASS CONCRETE.
 2. TO BE USED WHEN PAVEMENT IS CONSTRUCTED WITH CONCRETE, CONCRETE PAVER BLOCK OR TARMAC. CONSULT PSE FOR OTHER SURFACE CONDITIONS ON ITS APPLICABILITY.



(FOOTING NOT SHOWN FOR CLARITY) 1 : 10



DETAIL 'C'
(G2/S05)

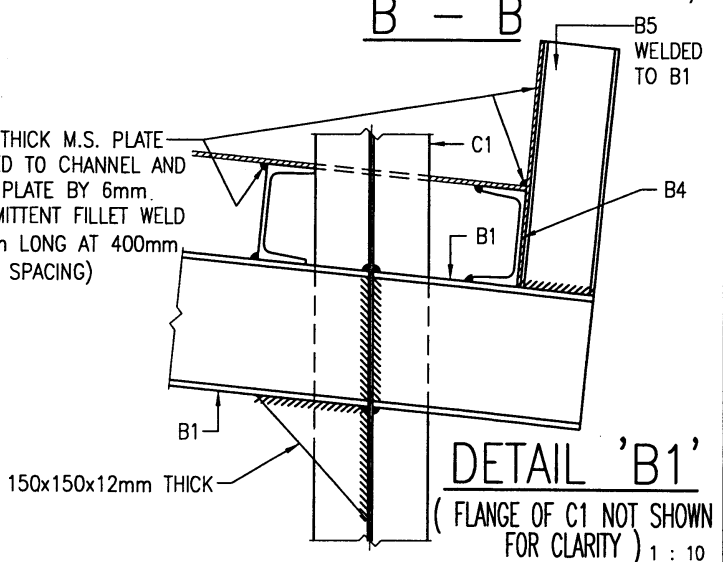


250 x 750 DEEP
SURFACE-MOUNTED FOOTING **B - B**

DETAIL 'H'
(G2/S05)

FIXING OF HOARDING PANEL
(SEE ARCH. DWG FOR DETAILS)

6mm THICK M.S. PLATE WELDED TO CHANNEL AND ROOF PLATE BY 6mm. INTERMITTENT FILLET WELD (50mm LONG AT 400mm CLEAR SPACING)



DETAIL 'B1'
(FLANGE OF C1 NOT SHOWN FOR CLARITY) 1 : 10



ARCHITECTURAL
SERVICES
DEPARTMENT

Title COVERED WALKWAY WITH TYPE G2 HOARDING - SINGLE DECK CATCH PLATFORM (SURFACE-MOUNTED FOOTING) STRUCTURAL DETAILS 2	Scale 1 : 50 1 : 10	Drawing No. 9711/G2/S02
	Checked by CSE/3 S.C. KWAN <i>le</i>	Date 24/1/11
		Date 25.1.11



ARCHITECTURAL SERVICES DEPARTMENT

Title
TYPE G2 HOARDING - COVERED WALKWAY WITH SINGLE DECK CATCH PLATFORM (SURFACE-MOUNTED FOOTING) STRUCTURAL DETAILS 3

Scale
 1 : 50

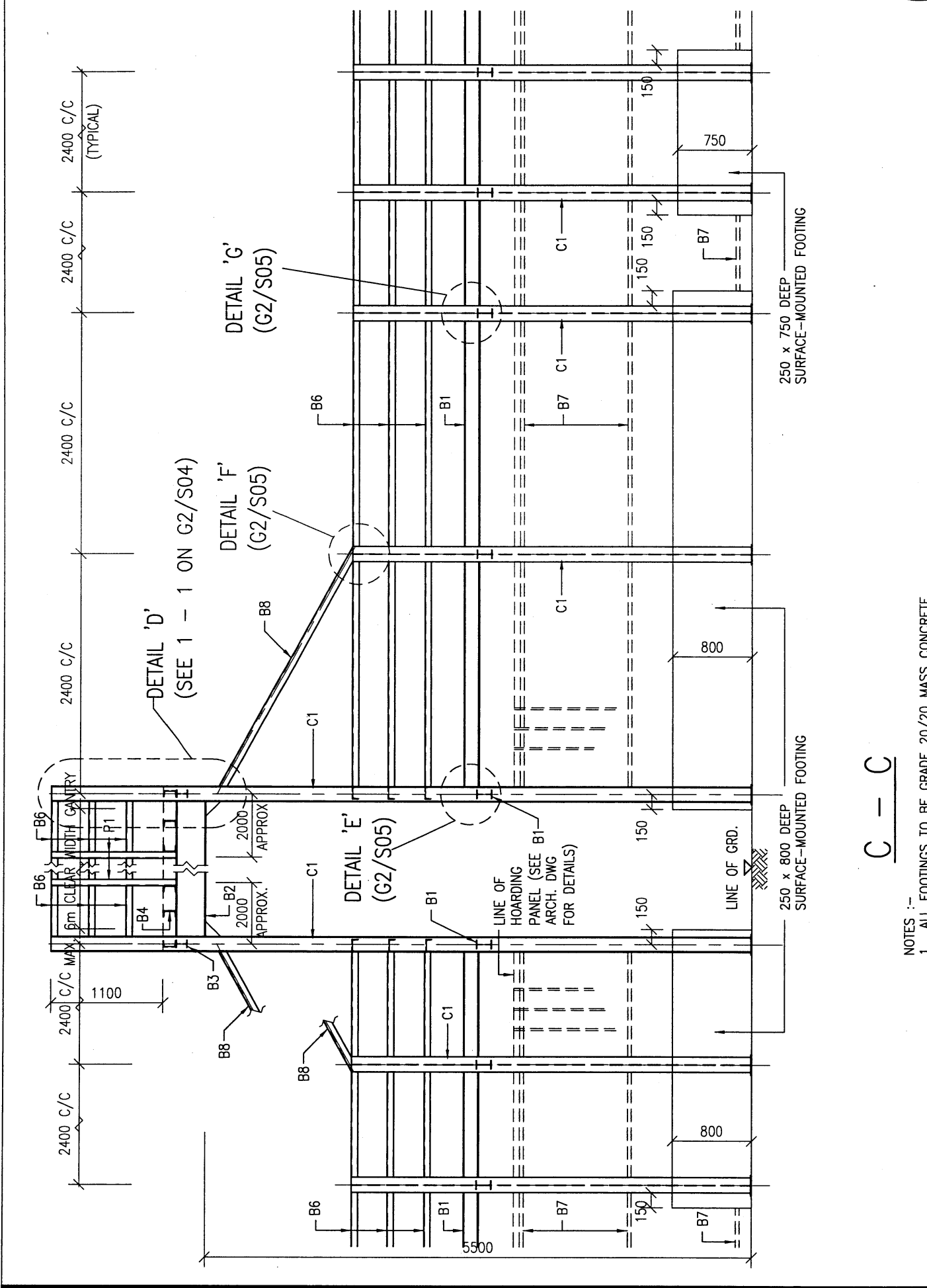
Drawing No.
9711/G2/S03

Checked by
 CSE/3 S.C. KWAN *kw*

Date
 24/1/11

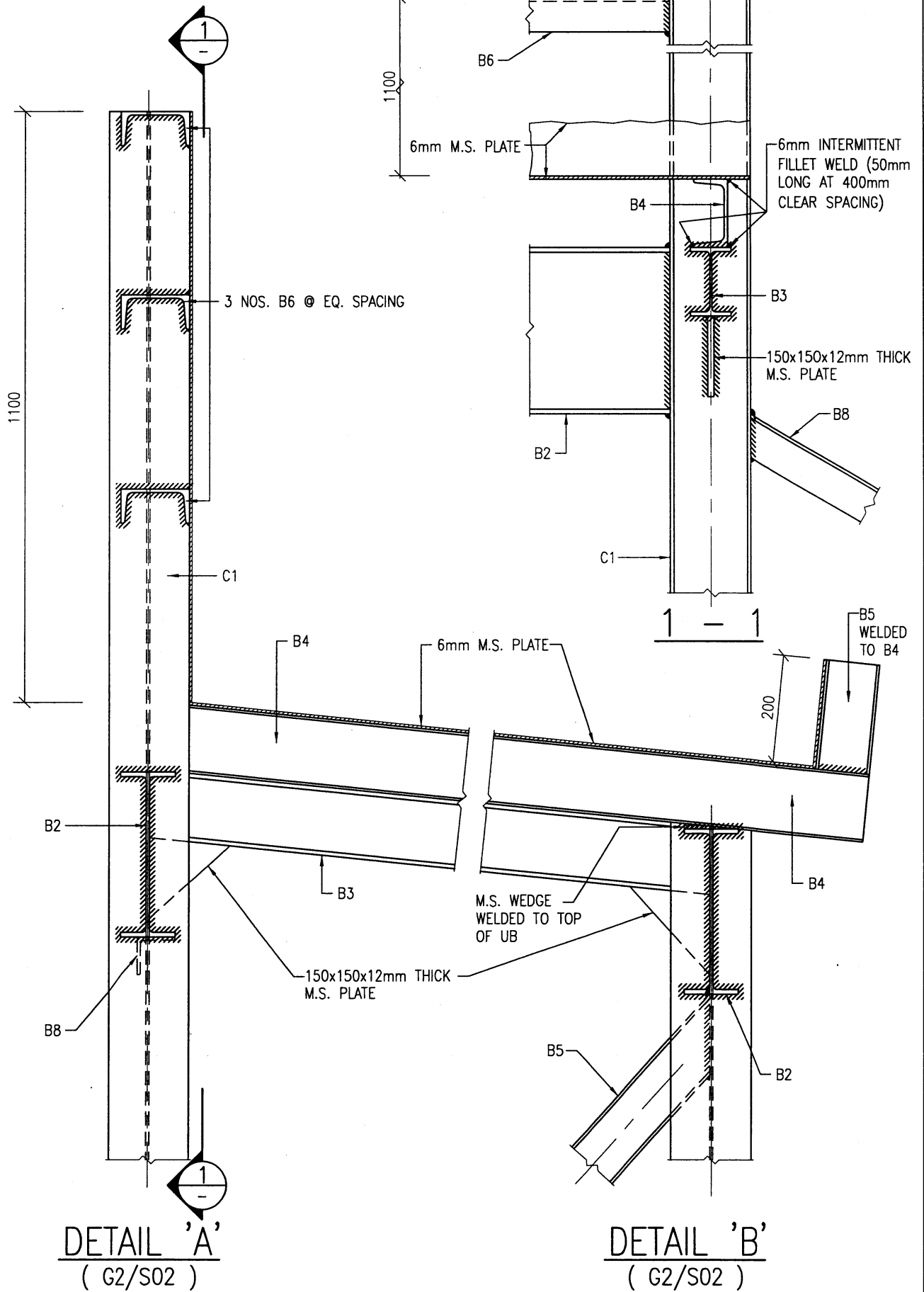
Approved by
 AD(SE) W.W. LI *W.W. LI*

Date
 25.1.11



C - C

NOTES :-
 1. ALL FOOTINGS TO BE GRADE 20/20 MASS CONCRETE.



ARCHITECTURAL
SERVICES
DEPARTMENT

Title
TYPE G2 HOARDING - COVERED WALKWAY WITH SINGLE DECK CATCH PLATFORM (SURFACE-MOUNTED FOOTING) STRUCTURAL DETAILS 4

Scale
1 : 10

Drawing No.

9711/G2/S04

Checked by
CSE/3 S.C. KWAN

le

Date

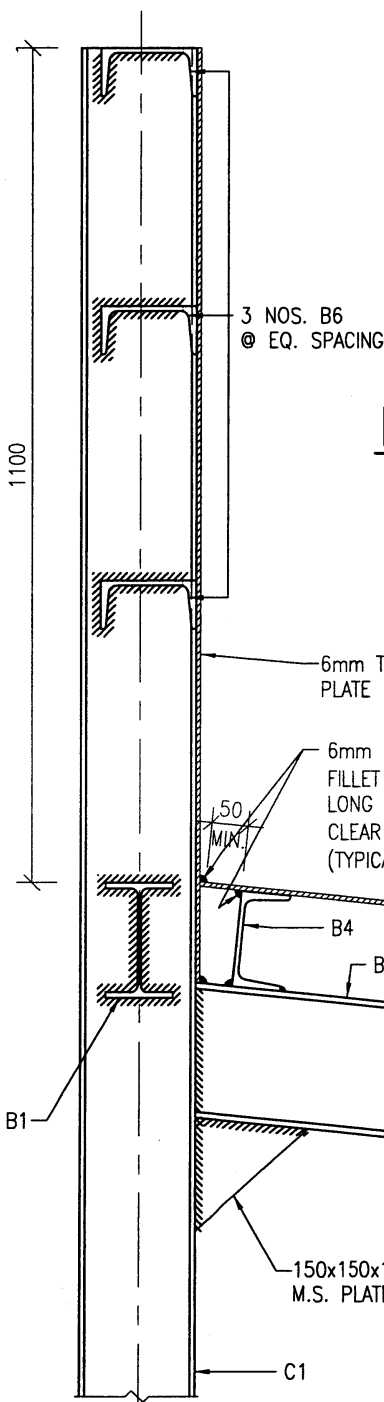
24/1/11

Approved by
AD(SE) W.W. LI

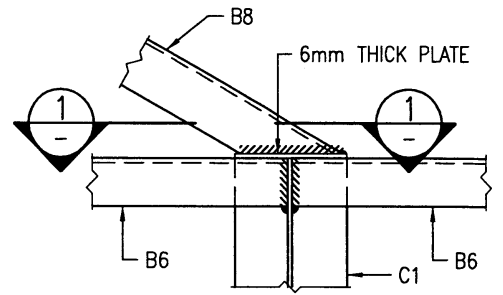
W.W. Li

Date

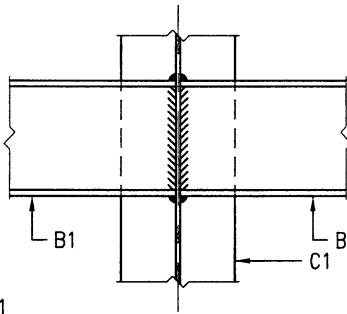
25.1.11



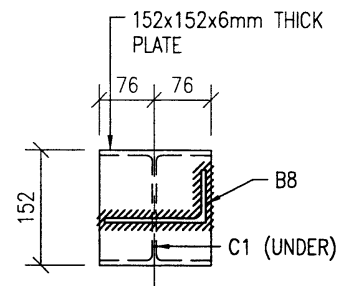
DETAIL 'E' 1 : 10
(G2/S03)



DETAIL 'F' 1 : 10
(FLANGE OF C1 NOT SHOWN FOR CLARITY)
(G2/S03)



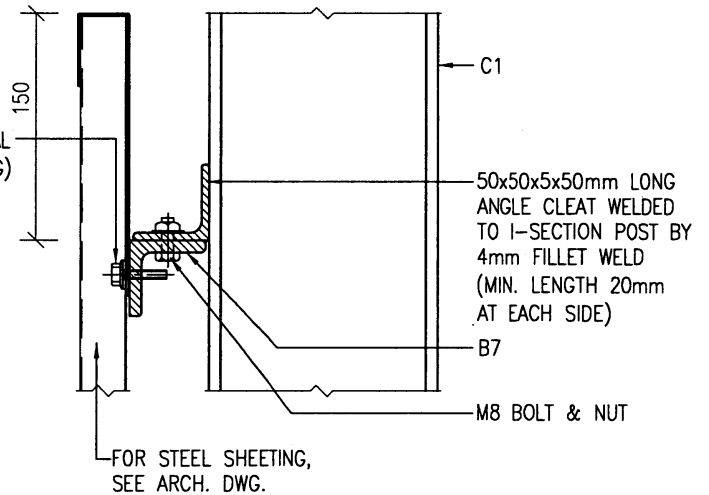
DETAIL 'G' 1 : 10
(FLANGE OF C1 NOT SHOWN FOR CLARITY)
(G2/S03)



1 - 1 1 : 10
(B6 NOT SHOWN FOR CLARITY)

DETAIL 'C' 1 : 10
(G2/S02)

(SEE ARCHITECTURAL STANDARD DRAWING)



DETAIL 'H' 1 : 5
(G2/S02)



ARCHITECTURAL SERVICES DEPARTMENT

Title **COVERED WALKWAY WITH TYPE G2 HOARDING - SINGLE DECK CATCH PLATFORM (SURFACE-MOUNTED FOOTING) STRUCTURAL DETAILS 5**

Scale 1 : 10
1 : 5

Drawing No. **9711/G2/S05**

Checked by CSE/3 S.C. KWAN

Date

24/5/11

Approved by AD(SE) W.W. LI

Date

26.1.11


GENERAL NOTES FOR CONSTRUCTION OF TYPE H1 HOARDINGS AND COVERED WALKWAYS INCLUDING ASSOCIATED GANTRIES AND CATCH PLATFORMS

1. THE ARCHITECT SHALL ENSURE THAT THE CONSTRUCTION OF HOARDINGS AND COVERED WALKWAYS SHALL COMPLY WITH THE REQUIREMENTS STIPULATED IN THE CURRENTLY ENFORCED BUILDINGS ORDINANCE/ BUILDING REGULATIONS, AND THE RELEVANT CODES OF PRACTICE AND PNAPS ISSUED BY THE BUILDINGS DEPARTMENT.
2. THE STANDARD DRAWINGS ARE ONLY APPLICABLE FOR HOARDINGS/COVERED WALKWAYS WITH WIDTH OF COVERED WALKWAY (L1)* MEASURED BETWEEN COLUMN CENTRES IN THE RANGE : $1350\text{mm} \leq L1 < 1850\text{mm}$. FOR THE WIDTH (L1) IN THE RANGE: $1850\text{mm} \leq L1 \leq 3000\text{mm}$, PLEASE REFER TYPE H2 HOARDING.

FOR THE WIDTH (L1) OUTSIDE THE RANGE OF 1350mm AND 3000mm, THE ADEQUACY OF THE STRUCTURAL PROVISION SHALL BE JUSTIFIED WITH STRUCTURAL CALCULATION.

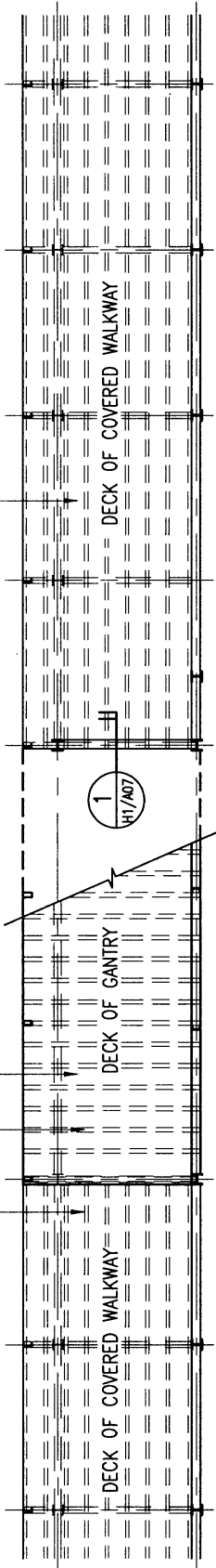
* IN THE DETERMINATION OF THE WIDTH (L1), THE ARCHITECT SHALL ENSURE THE PROVISION OF THE MINIMUM CLEAR WIDTH (W1) OF HOARDING/COVERED WALKWAY. PLEASE REFER NOTE 3.

3. THE MINIMUM CLEAR WIDTH (W1) OF HOARDING/COVERED WALKWAY SITED ON A CARRIAGEWAY OR FOOTPATH SHALL BE PROVIDED IN ACCORDANCE WITH PNAP APP-23. WHEN THE WIDTH (W1) IS LESS THAN THE MINIMUM WIDTH AS STIPULATED UNDER PNAP APP-23, APPROVAL/AGREEMENT FROM HIGHWAYS DEPARTMENT AND OTHER RELEVANT AUTHORITIES SHALL BE OBTAINED BEFORE THE CONSTRUCTION.
4. FOR DEMOLITION WORKS, THE MAXIMUM PERMITTED WORKING SPACE BETWEEN THE HOARDING/COVERED WALKWAY AND THE SITE BOUNDARY (L2) SHALL NOT BE GREATER THAN 500mm IN ACCORDANCE WITH THE CODE OF PRACTICE FOR DEMOLITION OF BUILDINGS. FOR OTHER WORKS, THE WORKING SPACE (L2) SHALL NOT BE GREATER THAN 300mm IN ACCORDANCE WITH PNAP APP-23.
5. THE MINIMUM WIDTH OF CATCH PLATFORM (W2) FOR DEMOLITION WORKS SHALL BE PROVIDED IN ACCORDANCE WITH THE CODE OF PRACTICE FOR DEMOLITION OF BUILDINGS.
6. A TEMPORARY LIGHTING SYSTEM SHALL BE PROVIDED FOR ALL COVERED WALKWAYS OF BUILDING SITES AND BE MAINTAINED IN GOOD ORDER IN ACCORDANCE WITH PNAP APP-23.
7. THE EXPOSED FACES OF THE CONCRETE PLINTH SHALL BE OF SMOOTH SURFACE AND ANY EXPOSED EDGES AND CORNERS SHALL BE CHAMFERED.
8. THE ARCHITECT SHALL, IN CONJUNCTION WITH THE PROJECT MANAGER, ASSESS THE NEED FOR HOARDING WITH SPECIAL DESIGN. PLEASE REFER TO THE "GUIDELINES FOR ENHANCEMENT OF HOARDING DESIGN FOR CONSTRUCTION SITES" IN ANNEX 3.A.18 OF THE PROJECT ADMINISTRATION HANDBOOK.
9. ALL METALWORK REFERRED IN THE DRAWINGS SHALL COMPLY WITH SECTION 17 OF THE GENERAL SPECIFICATION FOR BUILDING 2017 EDITION PUBLISHED BY THE ARCHITECTURAL SERVICES DEPARTMENT OR THEREAFTER.
10. ALL CORRUGATED STEEL SHEET PANELS, CAPPINGS AND TOE SHEETS SHALL BE OF GALVANIZED STEEL WITH COATING IN ACCORDANCE WITH SECTION 21 OF THE GENERAL SPECIFICATION FOR BUILDING 2017 EDITION PUBLISHED BY THE ARCHITECTURAL SERVICES DEPARTMENT OR THEREAFTER.
11. ALL EXPOSED SURFACES OF METALWORK SHALL BE PAINTED IN MID GREY COLOUR (BS5252: 10 A 07) UNLESS STATED OTHERWISE.
12. THE JOINTS/GAPS AT THE DECK OF THE COVERED WALKWAY/GANTRY SHALL BE PROPERLY SEALED WITH SEALANT OR TAPE AND BE MAINTAINED IN GOOD REPAIR TO AVOID GENERATION OF PUBLIC NUISANCE INCLUDING WATER DRIPPING.
13. THIS DRAWING SHOULD BE READ IN CONJUNCTION WITH ARCHITECTURAL DRAWINGS NO. 9711/H1/A02 TO A09 AND STRUCTURAL DRAWINGS NO. 9711/H1/S01 TO S05.
14. ALL DIMENSIONS SHOWN IN THE ARCHITECTURAL DRAWINGS NO. 9711/H1/A02 TO A09 ARE STRUCTURAL MEASUREMENT IN MILLIMETERS UNLESS STATED OTHERWISE.
15. THE ARCHITECT SHALL APPROACH ALL RELEVANT GOVERNMENT DEPARTMENTS SUCH AS THE HIGHWAYS DEPARTMENT AND TRANSPORT DEPARTMENT TO OBTAIN THEIR COMMENTS AND/OR APPROVALS ON THE HOARDING PROPOSAL BEFORE THE CONSTRUCTION.

 ARCHITECTURAL SERVICES DEPARTMENT	Title TYPE H1 HOARDING	COVERED WALKWAY WITH DOUBLE DECK CATCH PLATFORM (SURFACE-MOUNTED FOOTING) GENERAL NOTES	Scale NIL	Drawing No. 9711/H1/A01
	Checked by CA/ASC W.H. LEE <i>W.H. Lee</i>	Date 11.4.2018	Approved by AD(PS) C.K. HUI <i>C.K. Hui</i>	Date 12.4.2018

CHANNEL PURLINS AT APPROX. 300mm c/c

6mm TH. M.S. PLATE WELDED TO CHANNEL PURLINS



PLAN

250x750mm HIGH SURFACE-MOUNTED CONC. FOOTING

425x1200mm HIGH SURFACE-MOUNTED CONC. FOOTING AT THE FIRST TWO BAYS ADJACENT TO THE GANTRY ONLY

G.M.S. SLIDING & FOLDING GATE W/ MESH DOOR PANEL AND HASP & STAPLE FOR PAD LOCK (DESIGN AND CONSTRUCTION DETAILS SUBJECT TO ARCHITECT'S APPROVAL)

MAX. 6000 CLEAR WIDTH GANTRY

(INGRESS / EGRESS)

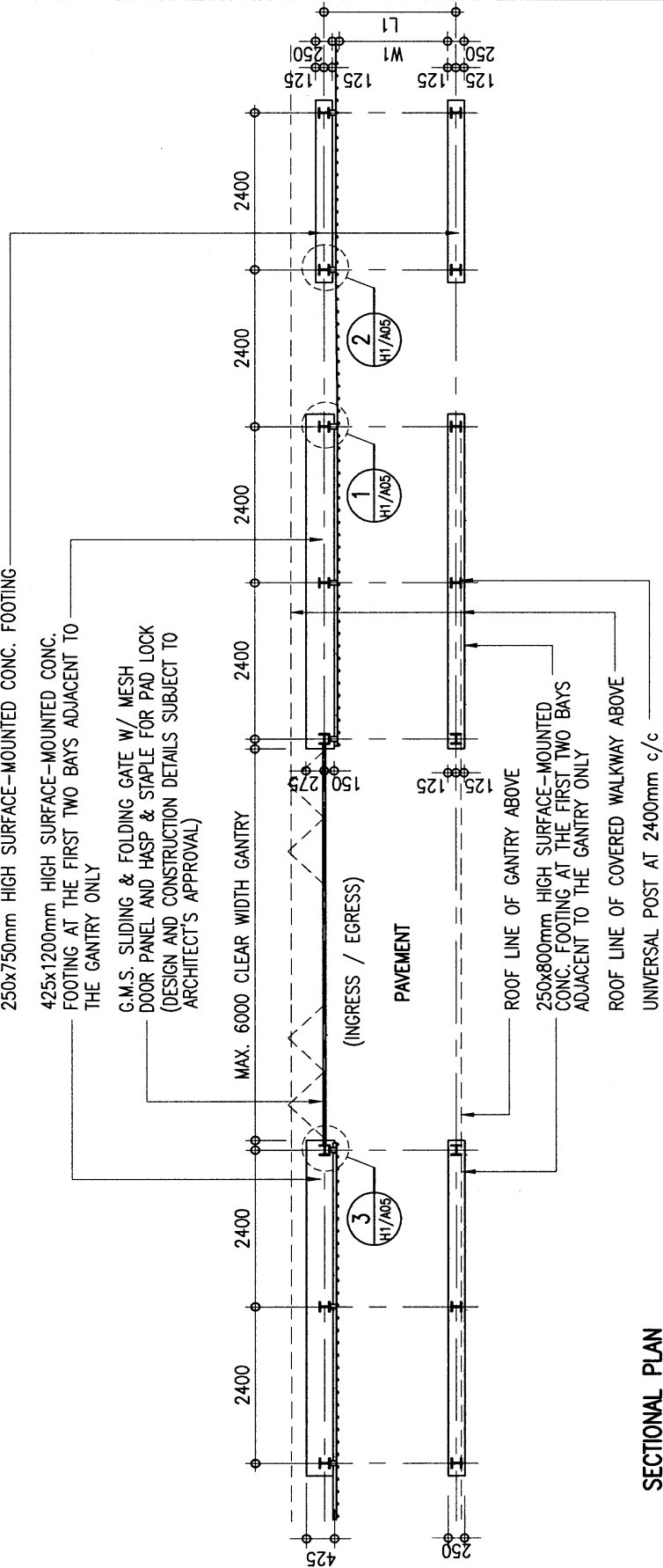
PAVEMENT

ROOF LINE OF GANTRY ABOVE

250x800mm HIGH SURFACE-MOUNTED CONC. FOOTING AT THE FIRST TWO BAYS ADJACENT TO THE GANTRY ONLY

ROOF LINE OF COVERED WALKWAY ABOVE

UNIVERSAL POST AT 2400mm c/c



SECTIONAL PLAN



ARCHITECTURAL SERVICES DEPARTMENT

Title

TYPE H1 HOARDING

COVERED WALKWAY WITH DOUBLE DECK CATCH PLATFORM (SURFACE-MOUNTED FOOTING) PLANS

Scale

1 : 100

Drawing No.

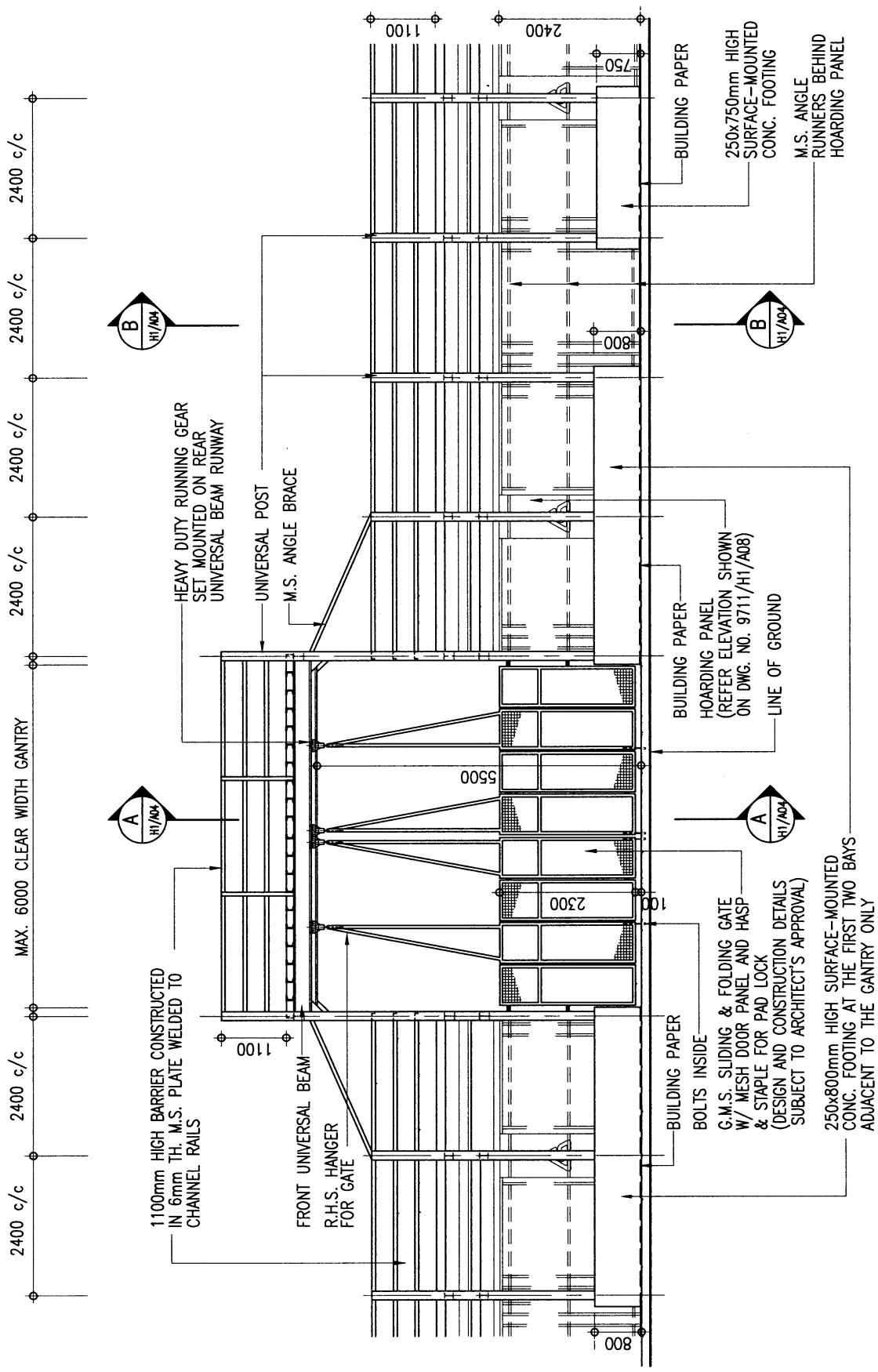
9711/H1/A02

Checked by
CA/ASC T.S.K. TAM *T.S.K. TAM*


Date
28.2.11

Approved by
AD(PS) S.W. FONG *S.W. FONG*

Date
7 MAR 2011

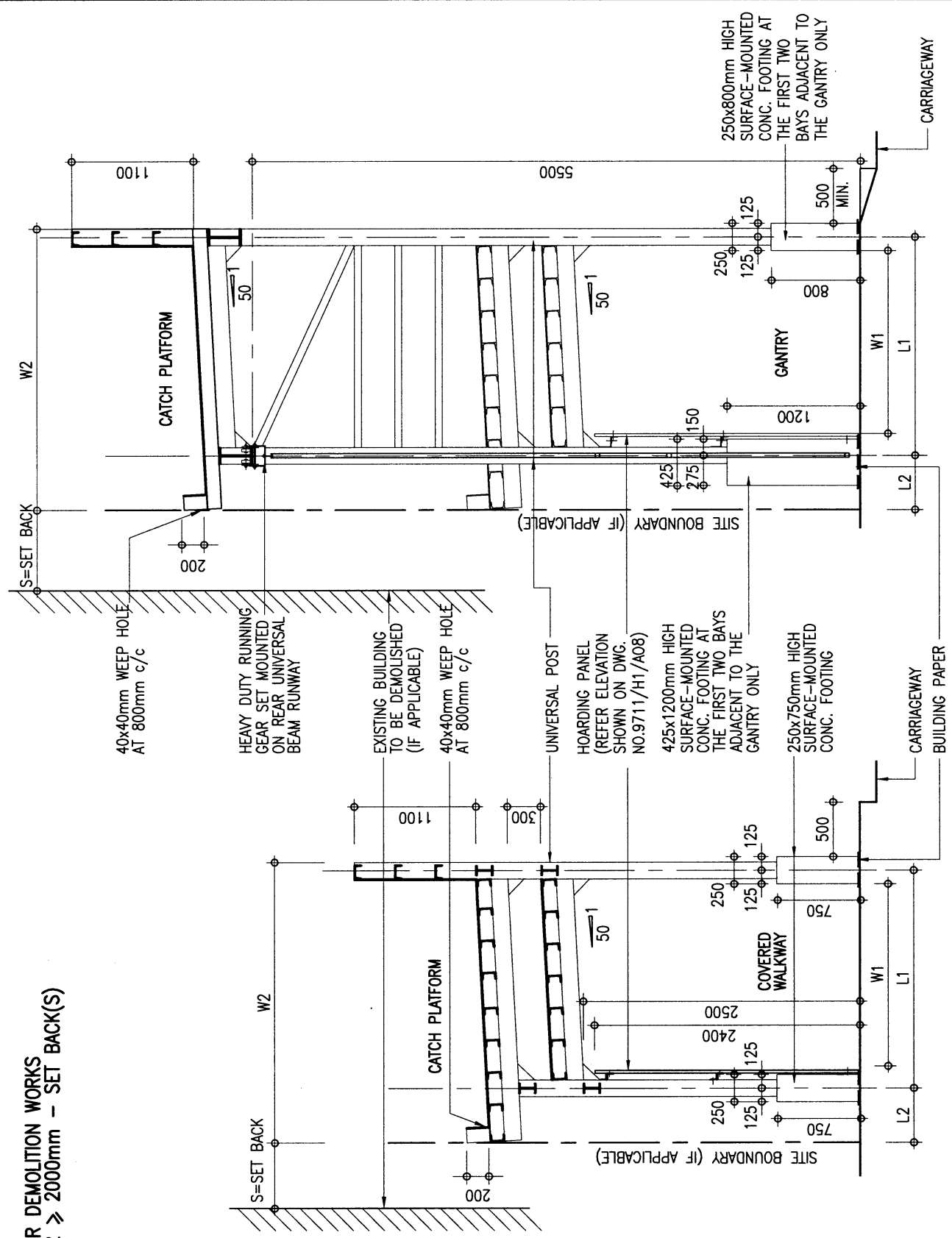



FRONT ELEVATION

 <p>ARCHITECTURAL SERVICES DEPARTMENT</p>	<p>Title</p> <p>TYPE H1 HOARDING</p>	<p>COVERED WALKWAY WITH DOUBLE DECK CATCH PLATFORM (SURFACE-MOUNTED FOOTING) ELEVATION</p>	<p>Scale</p> <p>1 : 100</p>	<p>Drawing No.</p> <p>9711/H1/A03</p>
	<p>Checked by</p> <p>CA/ASC T.S.K. TAM <i>TAM</i></p>	<p>Date</p> <p>28.2.11</p>	<p>Approved by</p> <p>AD(PS) S.W. FONG <i>FONG</i></p>	<p>Date</p> <p>- 1 MAR 2011</p>

CAD Ref. - 9711_h1_03(02_11).dwg--1:100

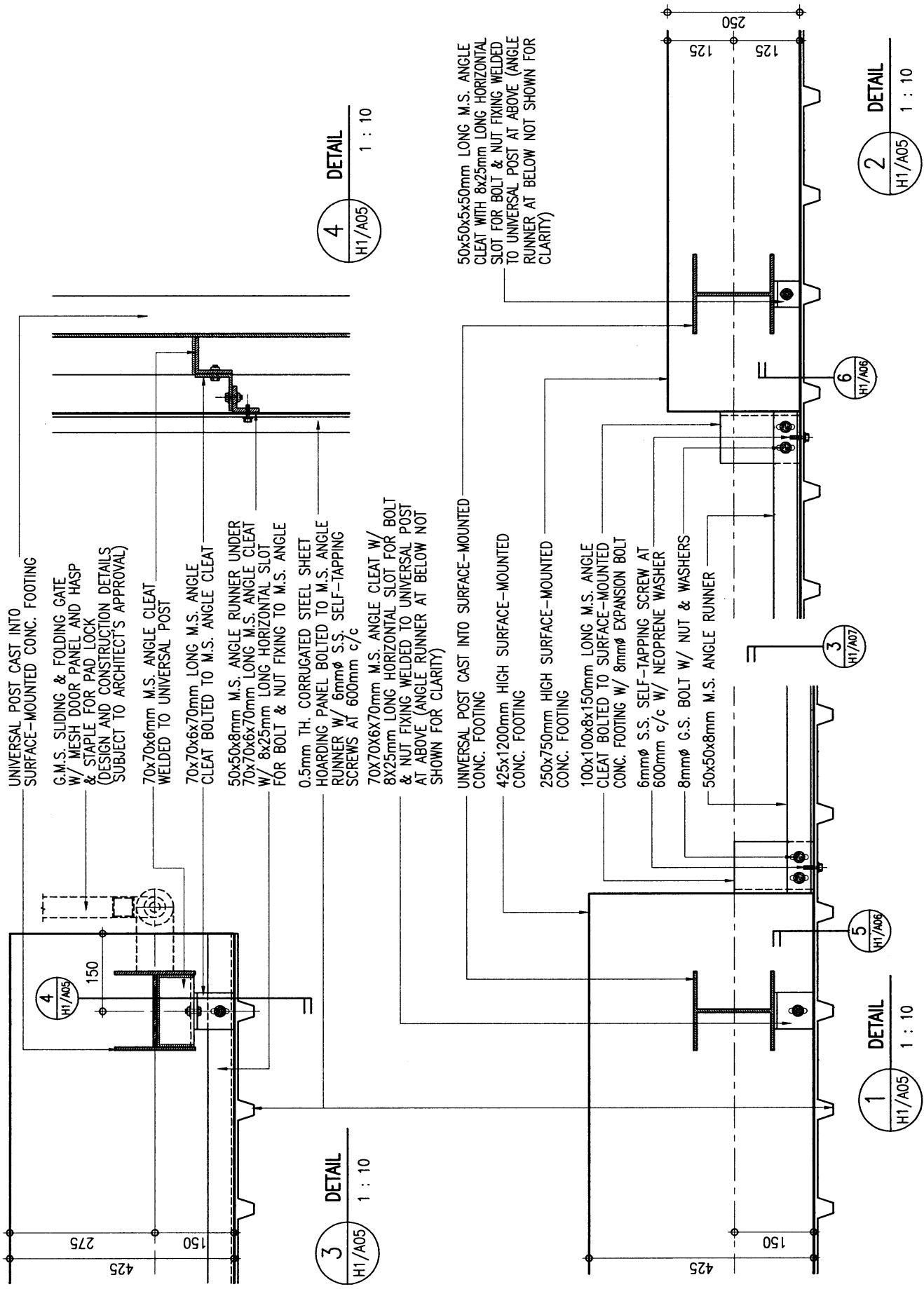
FOR DEMOLITION WORKS
 $W2 > 2000\text{mm}$ - SET BACK(S)

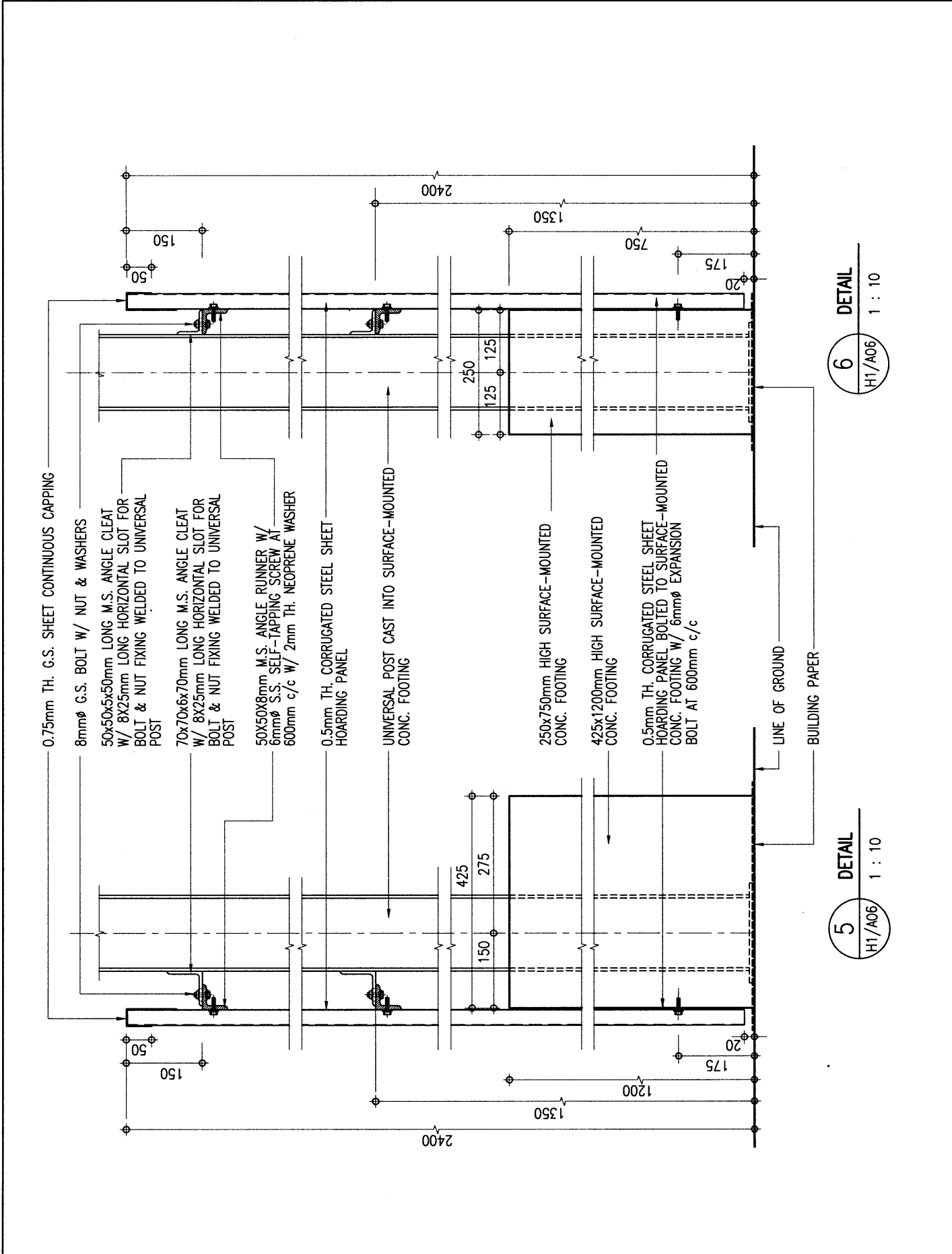


 ARCHITECTURAL SERVICES DEPARTMENT	Title TYPE H1 HOARDING	COVERED WALKWAY WITH DOUBLE DECK CATCH PLATFORM (SURFACE-MOUNTED FOOTING) SECTIONS	Scale 1 : 50	Drawing No. 9711/H1/A04
	Checked by CA/ASC T.S.K. TAM <i>T.S.K. TAM</i>	Date 28.2.11	Approved by AD(PS) S.W. FONG <i>S.W. FONG</i>	Date - 1 MAR 2011




Title TYPE H1 HOARDING		Scale 1 : 10	Drawing No. 9711/H1/A05
Checked by CA/ASC T.S.K. TAM <i>[Signature]</i>	Date 28.2.11	Approved by AD(PS) S.W. FONG <i>[Signature]</i>	Date - 1 MAR 2011

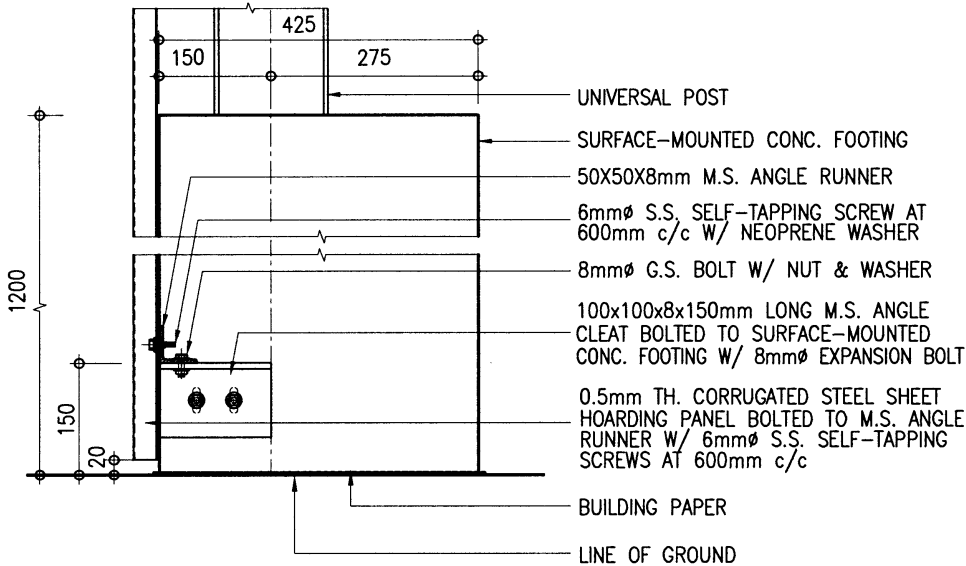




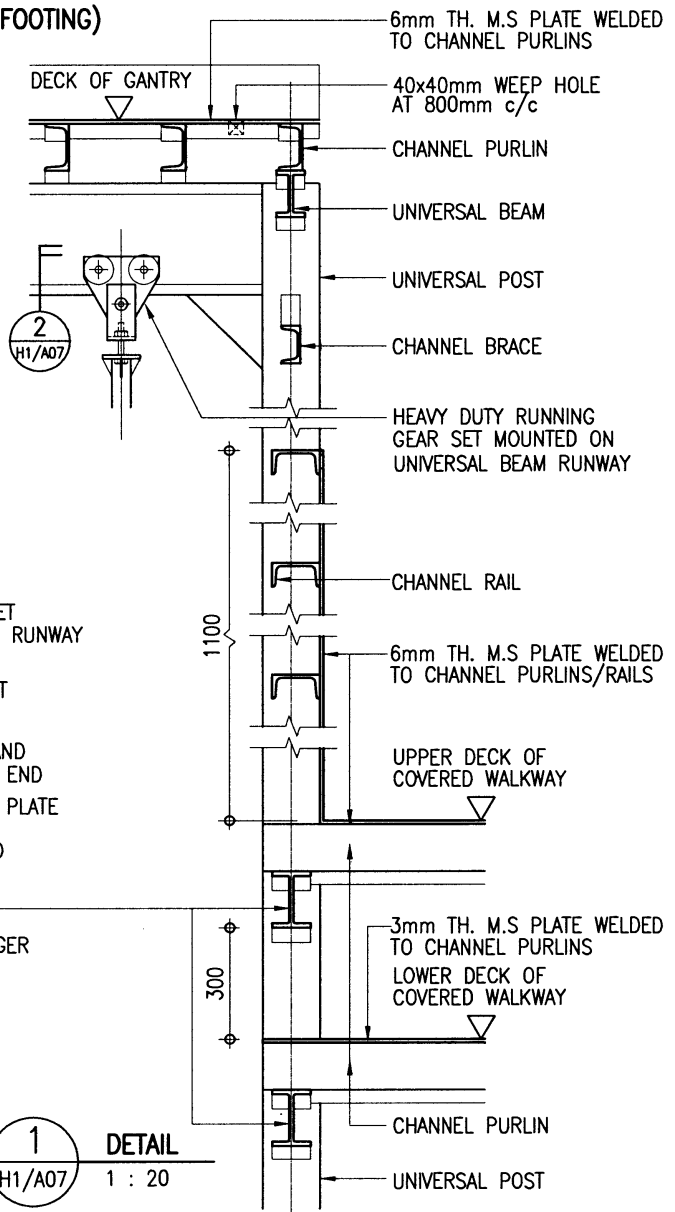
6 DETAIL
H1/A06 1 : 10

5 DETAIL
H1/A06 1 : 10

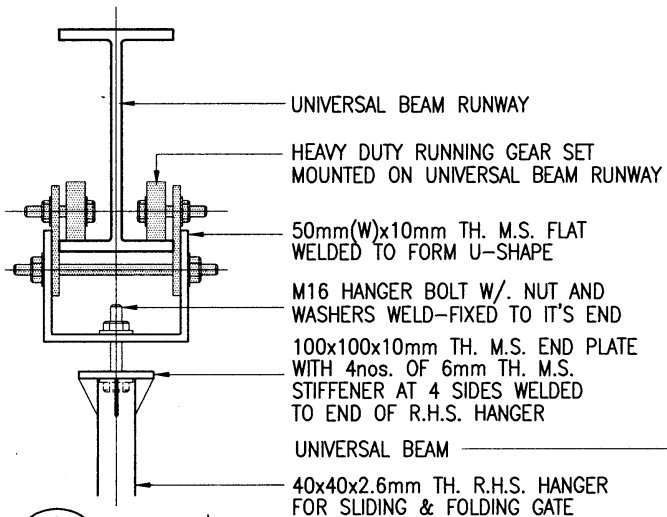
 <p>ARCHITECTURAL SERVICES DEPARTMENT</p>	<p>Title</p> <p>TYPE H1 HOARDING</p>		<p>Scale</p> <p>1 : 10</p>	<p>Drawing No.</p> <p>9711/H1/A06</p>
	<p>Checked by</p> <p>CA/ASC T.S.K. TAM <i>T.S.K. TAM</i></p>	<p>Date</p> <p>28.2.11</p>	<p>Approved by</p> <p>AD(PS) S.W. FONG <i>S.W. FONG</i></p>	<p>Date</p> <p>- 1 MAR 2011</p>



3 DETAIL (ALSO APPLICABLE TO 250X750mm SURFACE-MOUNTED CONC. FOOTING)
 H1/A07 1 : 10



1 DETAIL
 H1/A07 1 : 20



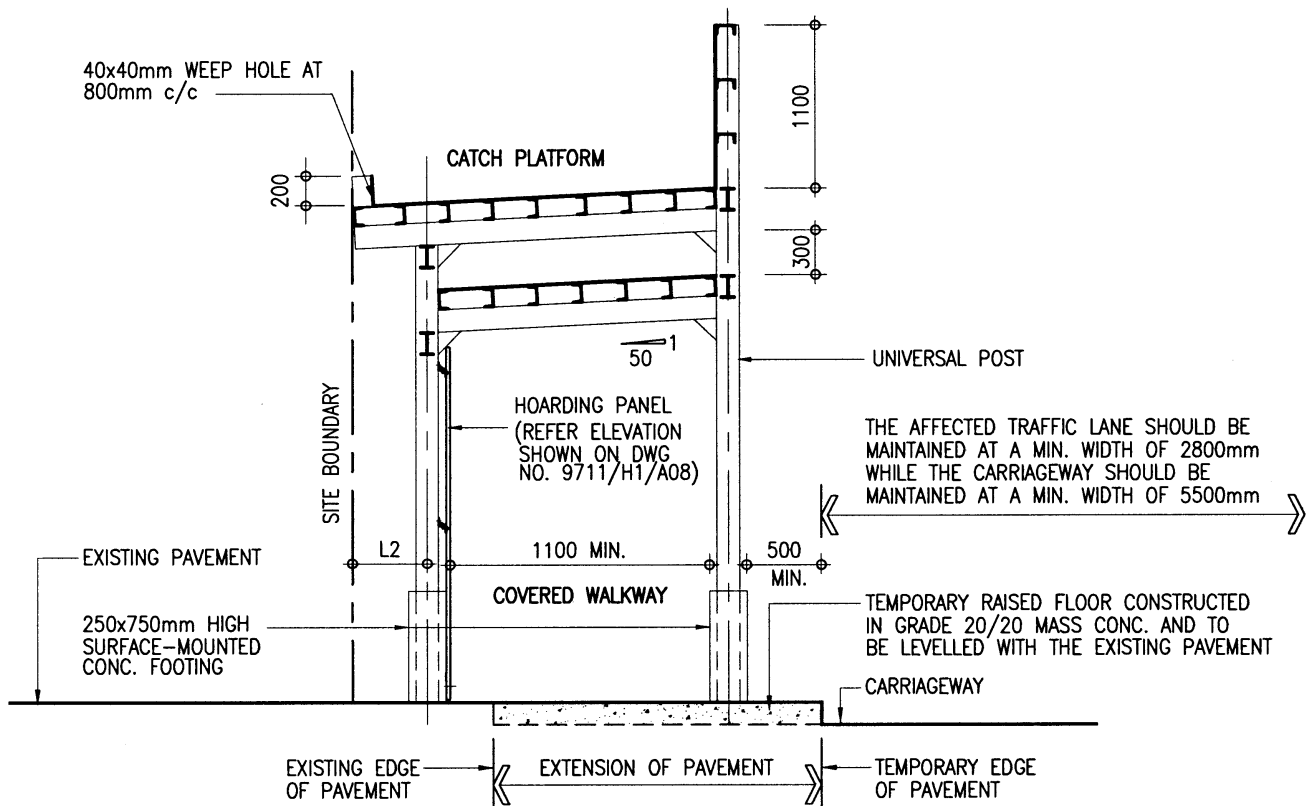
2 DETAIL*
 H1/A07 1 : 10

* THIS FIXING DETAIL IS FOR REFERENCE ONLY, SAMPLE OF RUNNING GEAR SET AND FIXING METHOD SHOULD BE SUBMITTED FOR APPROVAL BEFORE ORDERING.



ARCHITECTURAL SERVICES DEPARTMENT	Title TYPE H1 HOARDING	COVERED WALKWAY WITH DOUBLE DECK CATCH PLATFORM (SURFACE-MOUNTED FOOTING) CONSTRUCTION DETAILS 3	Scale as shown	Drawing No. 9711/H1/A07
	Checked by CA/ASC T.S.K. TAM <i>T.S.K. TAM</i>	Date 23.2.11	Approved by AD(PS) S.W. FONG <i>S.W. FONG</i>	Date - 1 MAR 2011

CAD Ref. - 9711_h1_07(02_11).dwg--1:10



TYPICAL SECTION



ARCHITECTURAL
SERVICES
DEPARTMENT

Title
TYPE H1 HOARDING
COVERED WALKWAY WITH
DOUBLE DECK CATCH PLATFORM
(SURFACE-MOUNTED FOOTING) SITED
ON CARRIAGEWAY/NARROW PAVEMENT

Scale
1 : 50

Drawing No.
9711/H1/A09

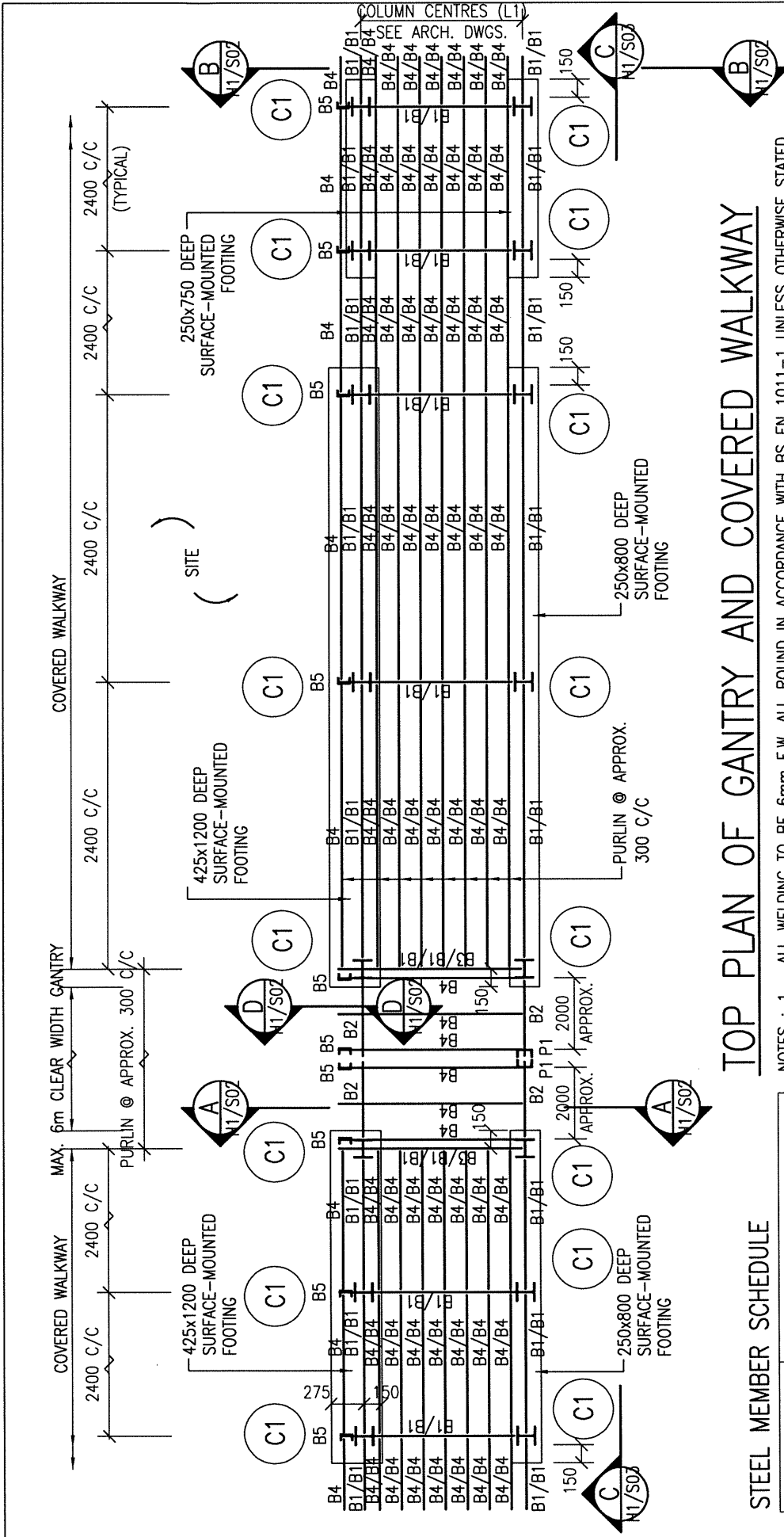
Checked by
CA/ASC T.S.K. TAM *Swain*

Date
28.2.11

Approved by
AD(PS) S.W. FONG *[Signature]*

Date
1 MAR 2011

CAD Ref. - 9711_h1_09(02_11).dwg--1:50




TOP PLAN OF GANTRY AND COVERED WALKWAY

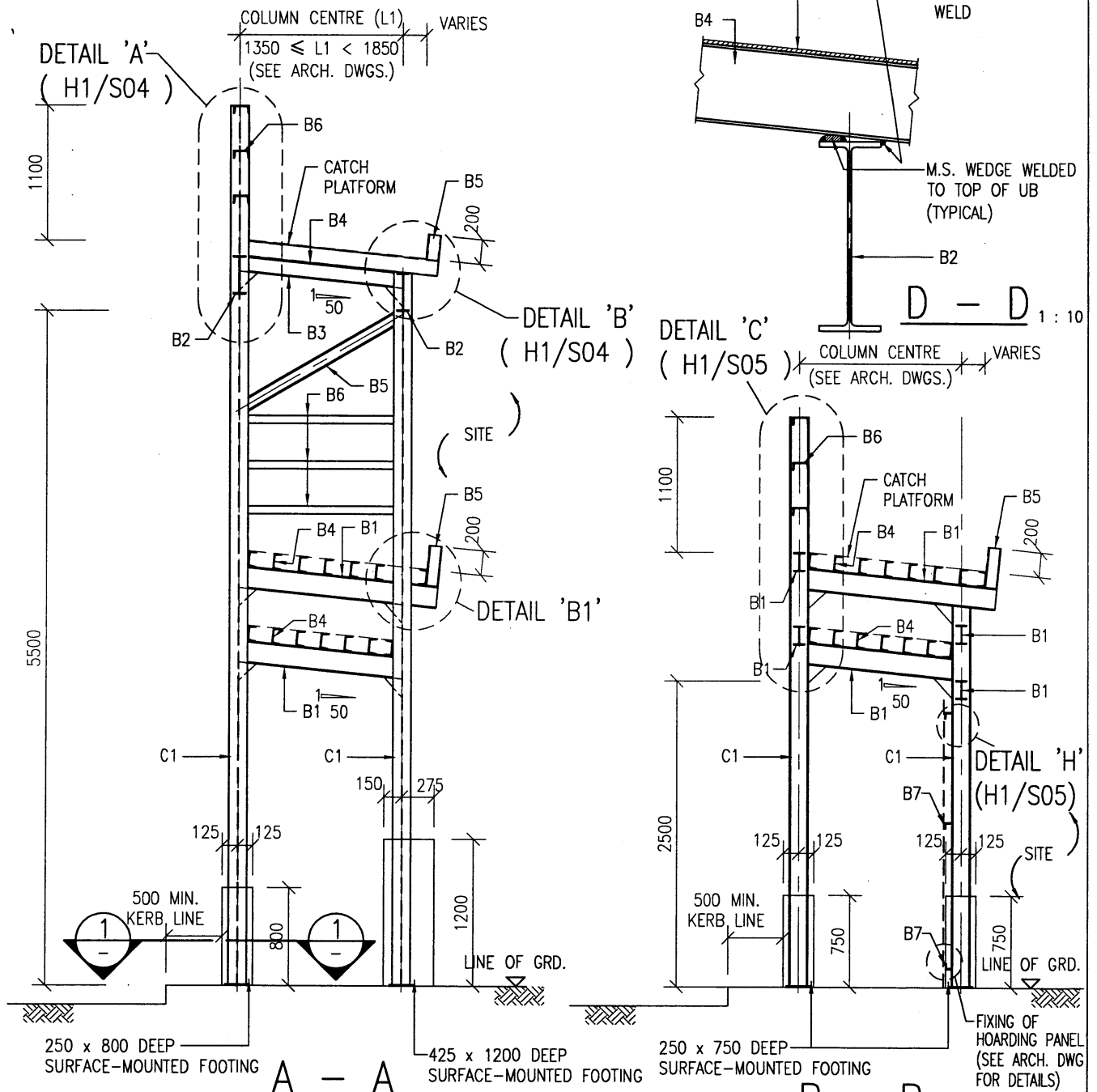
- NOTES :
1. ALL WELDING TO BE 6mm F.W. ALL ROUND IN ACCORDANCE WITH BS EN 1011-1 UNLESS OTHERWISE STATED.
 2. ALL BOLTS TO BE GRADE 4.6 BLACK BOLTS TO BS 4190.
 3. ALL STRUCTURAL SECTIONS SHALL BE WELDABLE STRUCTURAL STEEL OF GRADE S275 UNLESS OTHERWISE SPECIFIED.
 4. THE DETAILS OF GANTRY MAY BE MODIFIED BY PROJECT OFFICER TO SUIT ACTUAL SITE CONDITIONS.
 5. ALL STEEL WORKS SHALL BE MANUALLY CLEANED TO GS CL. 15.61 (i), PRIMED WITH ONE COAT OF OIL BASED ZINC PHOSPHATE PRIMER AND FINISHED WITH TWO FINISHING COATS OF SYNTHETIC PAINT OF ALKYD RESIN BASE.
 6. THE COLUMN CENTRES, L1, SHOULD BE 1350mm ≤ L1 < 1850mm.

STEEL MEMBER SCHEDULE

MEMBER MARK	MEMBER SIZE
C1	152 x 152 x 23 UC
B1	152 x 89 x 16 UB
B2	305 x 102 x 28 UB
B3	127 x 76 x 13 UB
B4, B6, P1	127 x 64 x 14.9 CHANNEL
B5	102 x 51 x 10.42 CHANNEL
B7	50 x 50 x 8 ANGLE
B8	70 x 70 x 6 ANGLE

THE SKETCHES ARE PREPARED TO MEET THE GENERAL REQUIREMENTS AS SPECIFIED IN PNAP APP-102 ISSUED BY BD. SIZES OF FOOTINGS MAY BE MODIFIED BY PSE TO SUIT ACTUAL SITE CONDITIONS.

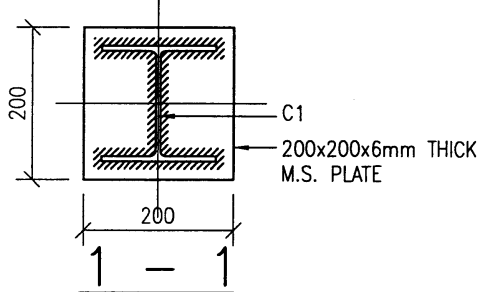
 <p>ARCHITECTURAL SERVICES DEPARTMENT</p>	<p>Title: COVERED WALKWAY WITH TYPE H1 HOARDING - DOUBLE DECK CATCH PLATFORM (SURFACE-MOUNTED FOOTING) STRUCTURAL DETAILS 1</p>	<p>Scale: 1 : 50</p>	<p>Drawing No. 9711/H1/S01 (REV. B)</p>
	<p>Checked by: CSE/3 K.L. LI</p>	<p>Date: 24 FEB 2020</p>	<p>Approved by: AD(SE) K.L. TSE</p>



(TYPICAL SECTION OF COVERED WALKWAY)

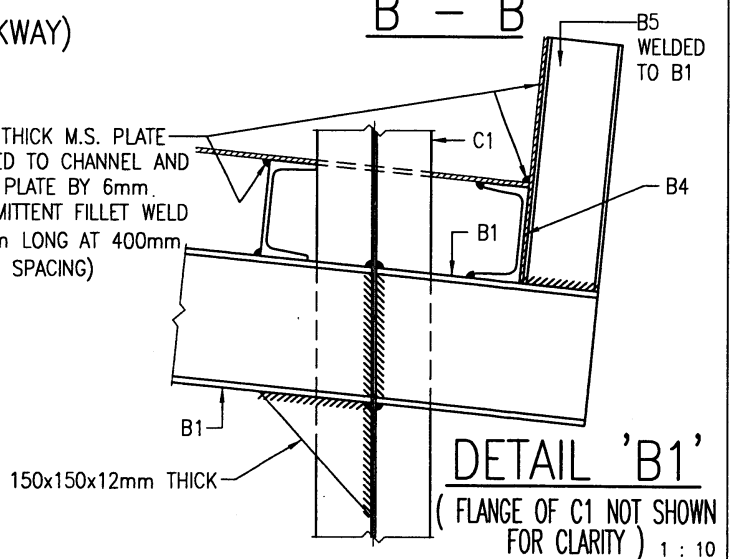
NOTES :-

1. ALL FOOTINGS TO BE GRADE 20/20 MASS CONCRETE.
2. TO BE USED WHEN PAVEMENT IS CONSTRUCTED WITH CONCRETE, CONCRETE PAVER BLOCK OR TARMAc. CONSULT PSE FOR OTHER SURFACE CONDITIONS ON ITS APPLICABILITY.




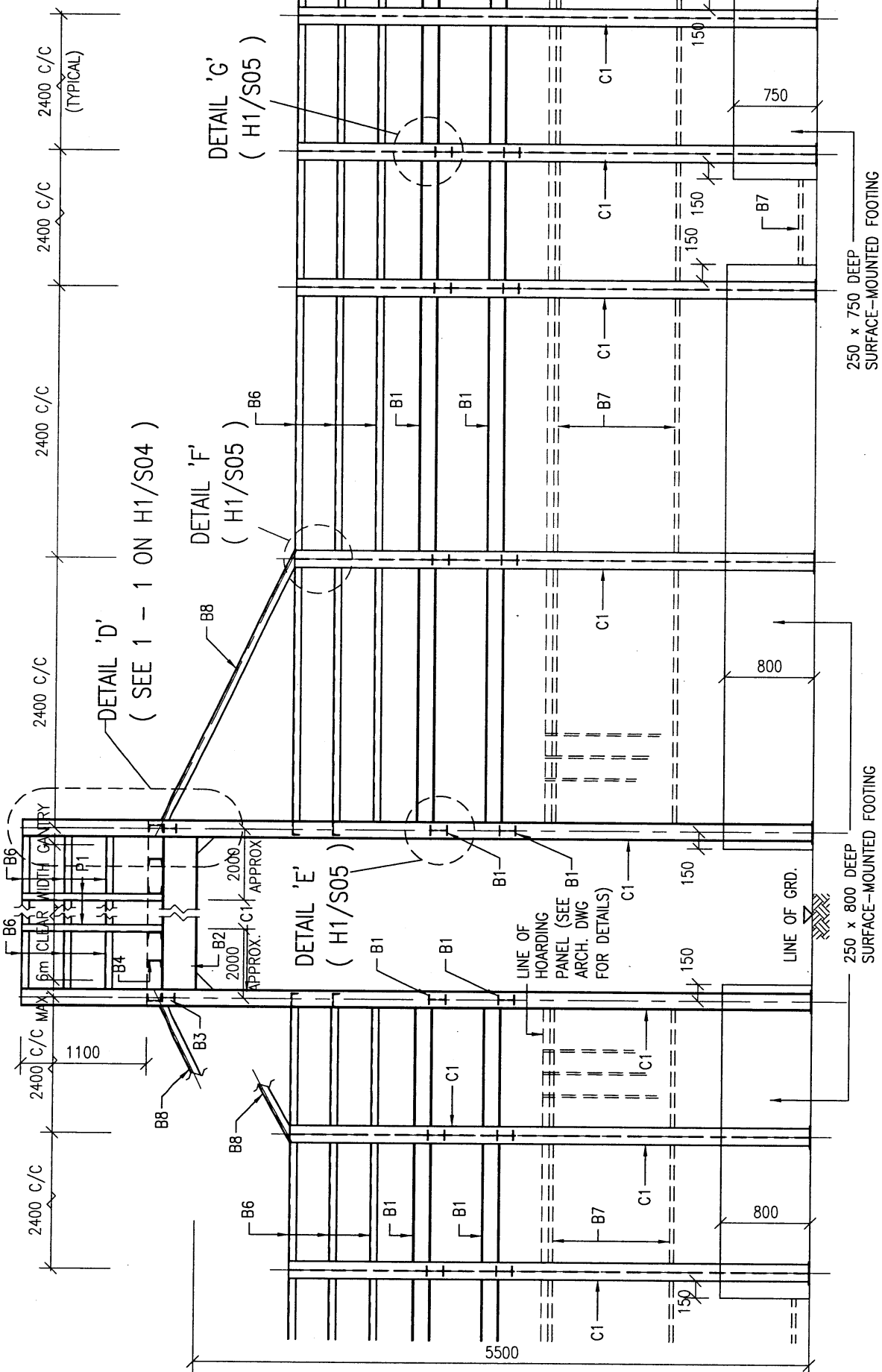
(FOOTING NOT SHOWN FOR CLARITY)

6mm THICK M.S. PLATE WELDED TO CHANNEL AND ROOF PLATE BY 6mm INTERMITTENT FILLET WELD (50mm LONG AT 400mm CLEAR SPACING)




DETAIL 'B1'
(FLANGE OF C1 NOT SHOWN FOR CLARITY) 1 : 10

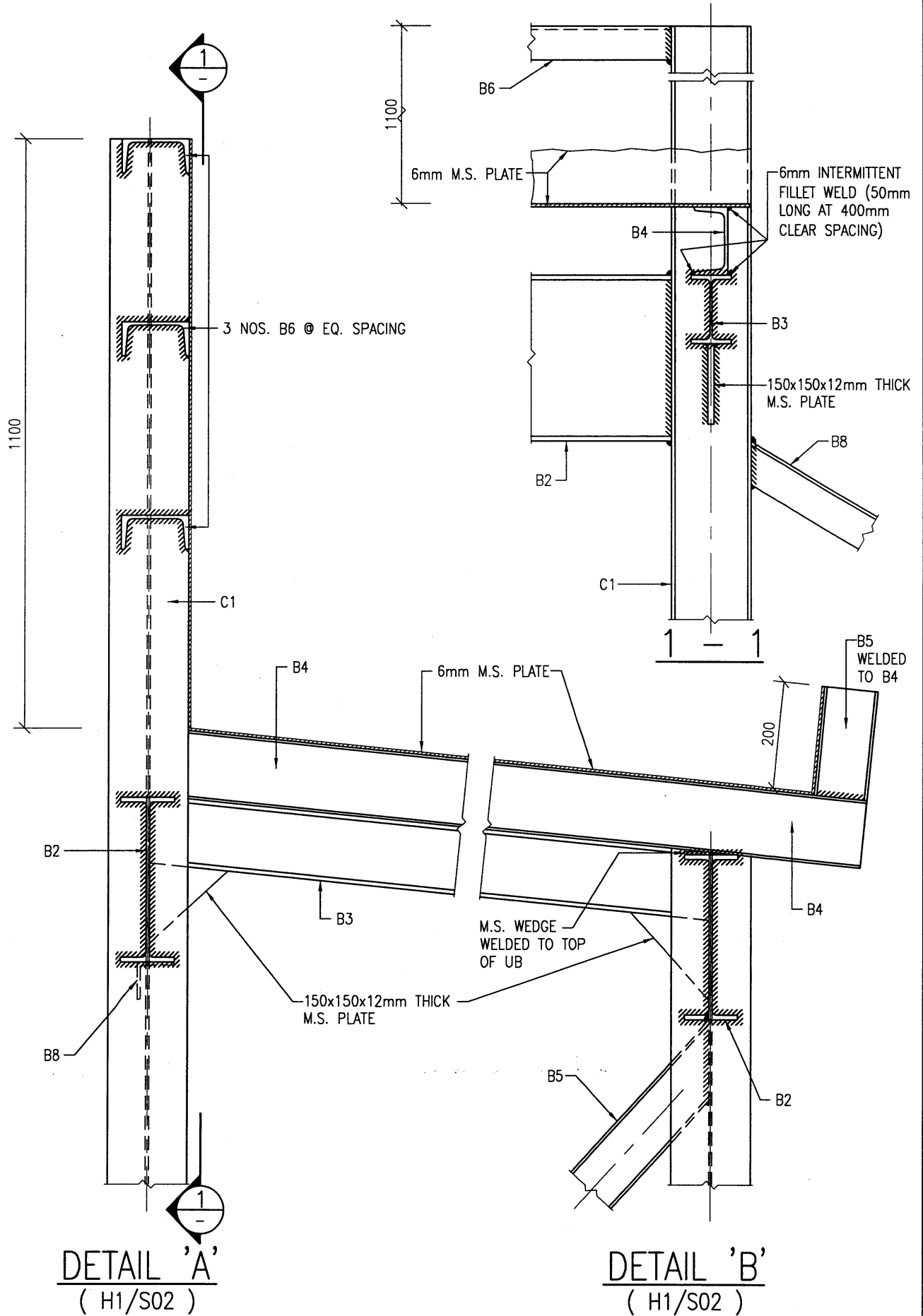
 ARCHITECTURAL SERVICES DEPARTMENT	Title COVERED WALKWAY WITH TYPE H1 HOARDING - DOUBLE DECK CATCH PLATFORM (SURFACE-MOUNTED FOOTING) STRUCTURAL DETAILS 2		Scale 1 : 50 1 : 10	Drawing No. 9711/H1/S02
	Checked by CSE/3 S.C. KWAN <i>ke</i>	Date 24/1/11	Approved by AD(SE) W.W. LI <i>W.W. Li</i>	Date 25.1.11



C - C

NOTES :-
 1. ALL FOOTINGS TO BE GRADE 20/20 MASS CONCRETE.

 ARCHITECTURAL SERVICES DEPARTMENT	Title	COVERED WALKWAY WITH DOUBLE DECK CATCH PLATFORM (SURFACE-MOUNTED FOOTING) STRUCTURAL DETAILS 3	Scale	Drawing No.
	Checked by	Date	Approved by	Date
	CSE/3 S.C. KWAN	24/1/11	AD(SE) W.W. LI	25.1.11



ARCHITECTURAL
SERVICES
DEPARTMENT

Title
**TYPE H1 HOARDING -
DOUBLE DECK CATCH PLATFORM
(SURFACE-MOUNTED FOOTING)
STRUCTURAL DETAILS 4**

Scale
1 : 10

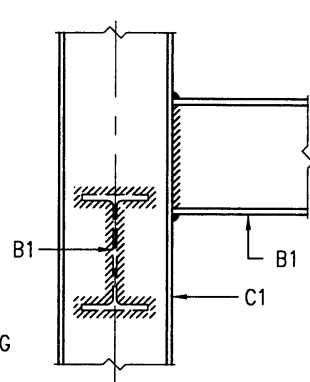
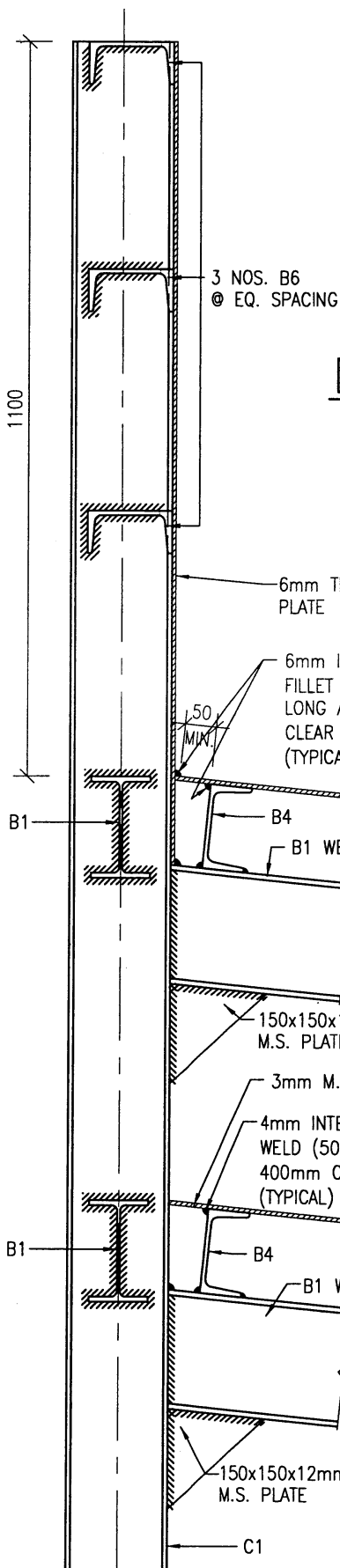
Drawing No.
9711/H1/S04

Checked by
CSE/3 S.C. KWAN

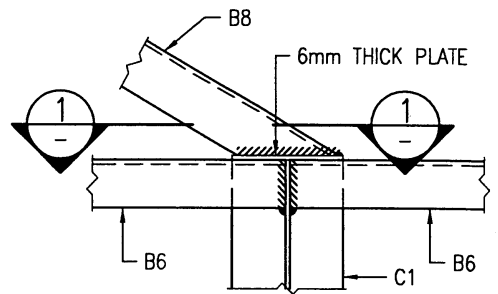
Date
24/1/11

Approved by
AD(SE) W.W. LI

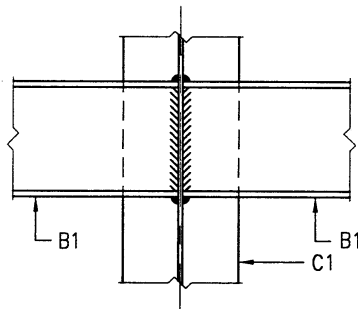
Date
25.1.11



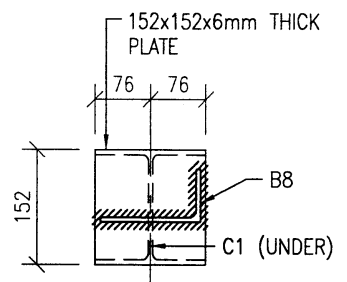
DETAIL 'E' 1 : 10
(H1/S03)



DETAIL 'F' 1 : 10
(FLANGE OF C1 NOT SHOWN FOR CLARITY)
(H1/S03)

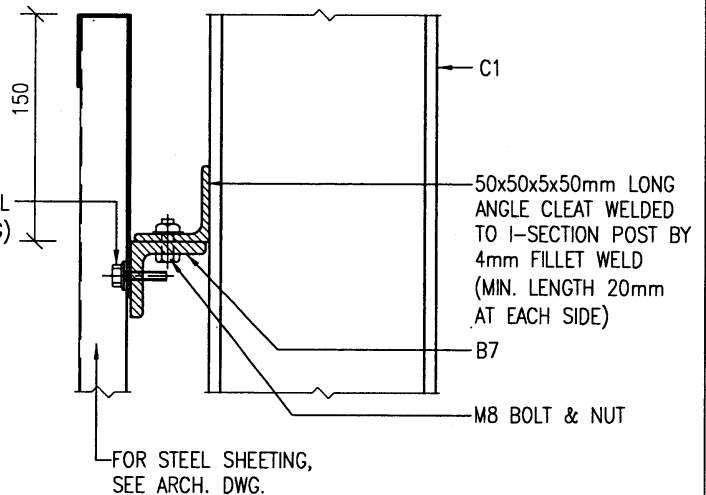


DETAIL 'G' 1 : 10
(FLANGE OF C1 NOT SHOWN FOR CLARITY)
(H1/S03)



1 - 1 1 : 10
(B6 NOT SHOWN FOR CLARITY)

DETAIL 'C' 1 : 10
(H1/S02)



DETAIL 'H' 1 : 5
(H1/S02)




ARCHITECTURAL
SERVICES
DEPARTMENT

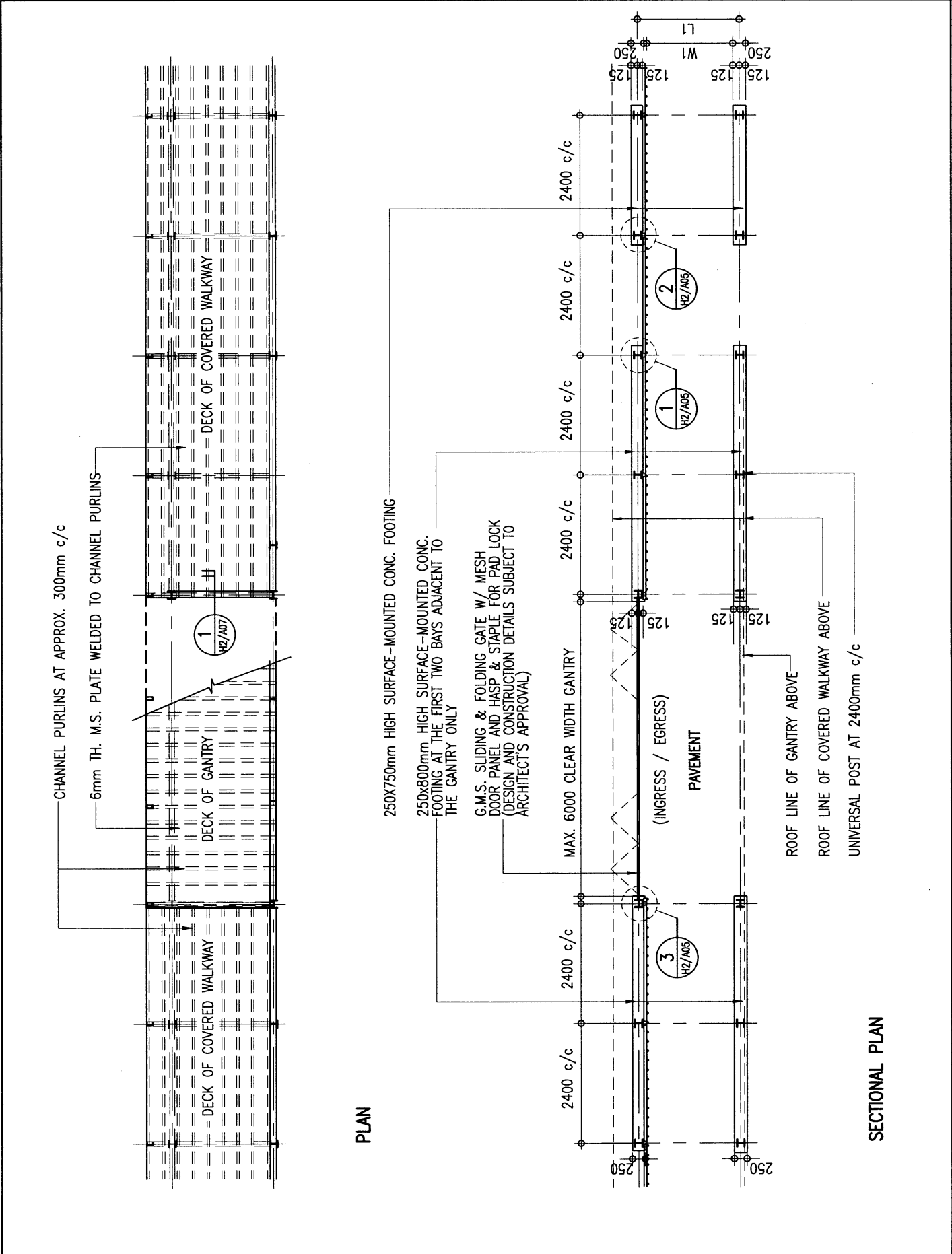
Title TYPE H1 HOARDING - COVERED WALKWAY WITH DOUBLE DECK CATCH PLATFORM (SURFACE-MOUNTED FOOTING) STRUCTURAL DETAILS 5	Scale 1 : 10 1 : 5	Drawing No. 9711/H1/S05
	Checked by CSE/3 S.C. KWAN <i>kw</i>	Date 24/1/11
		Date 25.1.11

GENERAL NOTES FOR CONSTRUCTION OF TYPE H2 HOARDINGS AND COVERED WALKWAYS INCLUDING ASSOCIATED GANTRIES AND CATCH PLATFORMS

1. THE ARCHITECT SHALL ENSURE THAT THE CONSTRUCTION OF HOARDINGS AND COVERED WALKWAYS SHALL COMPLY WITH THE REQUIREMENTS STIPULATED IN THE CURRENTLY ENFORCED BUILDINGS ORDINANCE/ BUILDING REGULATIONS, AND THE RELEVANT CODES OF PRACTICE AND PNAPS ISSUED BY THE BUILDINGS DEPARTMENT.
2. THE STANDARD DRAWINGS ARE ONLY APPLICABLE FOR HOARDINGS/COVERED WALKWAYS WITH WIDTH OF COVERED WALKWAY (L1)* MEASURED BETWEEN COLUMN CENTRES IN THE RANGE : $1850\text{mm} \leq L1 \leq 3000\text{mm}$. FOR THE WIDTH (L1) IN THE RANGE: $1350\text{mm} \leq L1 < 1850\text{mm}$, PLEASE REFER TYPE H1 HOARDING.


FOR THE WIDTH (L1) OUTSIDE THE RANGE OF 1350mm AND 3000mm, THE ADEQUACY OF THE STRUCTURAL PROVISION SHALL BE JUSTIFIED WITH STRUCTURAL CALCULATION.
- * IN THE DETERMINATION OF THE WIDTH (L1), THE ARCHITECT SHALL ENSURE THE PROVISION OF THE MINIMUM CLEAR WIDTH (W1) OF HOARDING/COVERED WALKWAY. PLEASE REFER NOTE 3.
3. THE MINIMUM CLEAR WIDTH (W1) OF HOARDING/COVERED WALKWAY SITED ON A CARRIAGEWAY OR FOOTPATH SHALL BE PROVIDED IN ACCORDANCE WITH PNAP APP-23. WHEN THE WIDTH (W1) IS LESS THAN THE MINIMUM WIDTH AS STIPULATED UNDER PNAP APP-23, APPROVAL/AGREEMENT FROM HIGHWAYS DEPARTMENT AND OTHER RELEVANT AUTHORITIES SHALL BE OBTAINED BEFORE THE CONSTRUCTION.
4. FOR DEMOLITION WORKS, THE MAXIMUM PERMITTED WORKING SPACE BETWEEN THE HOARDING/COVERED WALKWAY AND THE SITE BOUNDARY (L2) SHALL NOT BE GREATER THAN 500mm IN ACCORDANCE WITH THE CODE OF PRACTICE FOR DEMOLITION OF BUILDINGS. FOR OTHER WORKS, THE WORKING SPACE (L2) SHALL NOT BE GREATER THAN 300mm IN ACCORDANCE WITH PNAP APP-23.
5. THE MINIMUM WIDTH OF CATCH PLATFORM (W2) FOR DEMOLITION WORKS SHALL BE PROVIDED IN ACCORDANCE WITH THE CODE OF PRACTICE FOR DEMOLITION OF BUILDINGS.
6. A TEMPORARY LIGHTING SYSTEM SHALL BE PROVIDED FOR ALL COVERED WALKWAYS OF BUILDING SITES AND BE MAINTAINED IN GOOD ORDER IN ACCORDANCE WITH PNAP APP-23.
7. THE EXPOSED FACES OF THE CONCRETE PLINTH SHALL BE OF SMOOTH SURFACE AND ANY EXPOSED EDGES AND CORNERS SHALL BE CHAMFERED.
8. THE ARCHITECT SHALL, IN CONJUNCTION WITH THE PROJECT MANAGER, ASSESS THE NEED FOR HOARDING WITH SPECIAL DESIGN. PLEASE REFER TO THE "GUIDELINES FOR ENHANCEMENT OF HOARDING DESIGN FOR CONSTRUCTION SITES" IN ANNEX 3.A.18 OF THE PROJECT ADMINISTRATION HANDBOOK.
9. ALL METALWORK REFERRED IN THE DRAWINGS SHALL COMPLY WITH SECTION 17 OF THE GENERAL SPECIFICATION FOR BUILDING 2017 EDITION PUBLISHED BY THE ARCHITECTURAL SERVICES DEPARTMENT OR THEREAFTER.
10. ALL CORRUGATED STEEL SHEET PANELS, CAPPINGS AND TOE SHEETS SHALL BE OF GALVANIZED STEEL WITH COATING IN ACCORDANCE WITH SECTION 21 OF THE GENERAL SPECIFICATION FOR BUILDING 2017 EDITION PUBLISHED BY THE ARCHITECTURAL SERVICES DEPARTMENT OR THEREAFTER.
11. ALL EXPOSED SURFACES OF METALWORK SHALL BE PAINTED IN MID GREY COLOUR (BS5252: 10 A 07) UNLESS STATED OTHERWISE.
12. THE JOINTS/GAPS AT THE DECK OF THE COVERED WALKWAY/GANTRY SHALL BE PROPERLY SEALED WITH SEALANT OR TAPE AND BE MAINTAINED IN GOOD REPAIR TO AVOID GENERATION OF PUBLIC NUISANCE INCLUDING WATER DRIPPING.
13. THIS DRAWING SHOULD BE READ IN CONJUNCTION WITH ARCHITECTURAL DRAWINGS NO. 9711/H2/A02 TO A08 AND STRUCTURAL DRAWINGS NO. 9711/H2/S01 TO S05.
14. ALL DIMENSIONS SHOWN IN THE ARCHITECTURAL DRAWINGS NO. 9711/H2/A02 TO A08 ARE STRUCTURAL MEASUREMENT IN MILLIMETERS UNLESS STATED OTHERWISE.
15. THE ARCHITECT SHALL APPROACH ALL RELEVANT GOVERNMENT DEPARTMENTS SUCH AS THE HIGHWAYS DEPARTMENT AND TRANSPORT DEPARTMENT TO OBTAIN THEIR COMMENTS AND/OR APPROVALS ON THE HOARDING PROPOSAL BEFORE THE CONSTRUCTION.

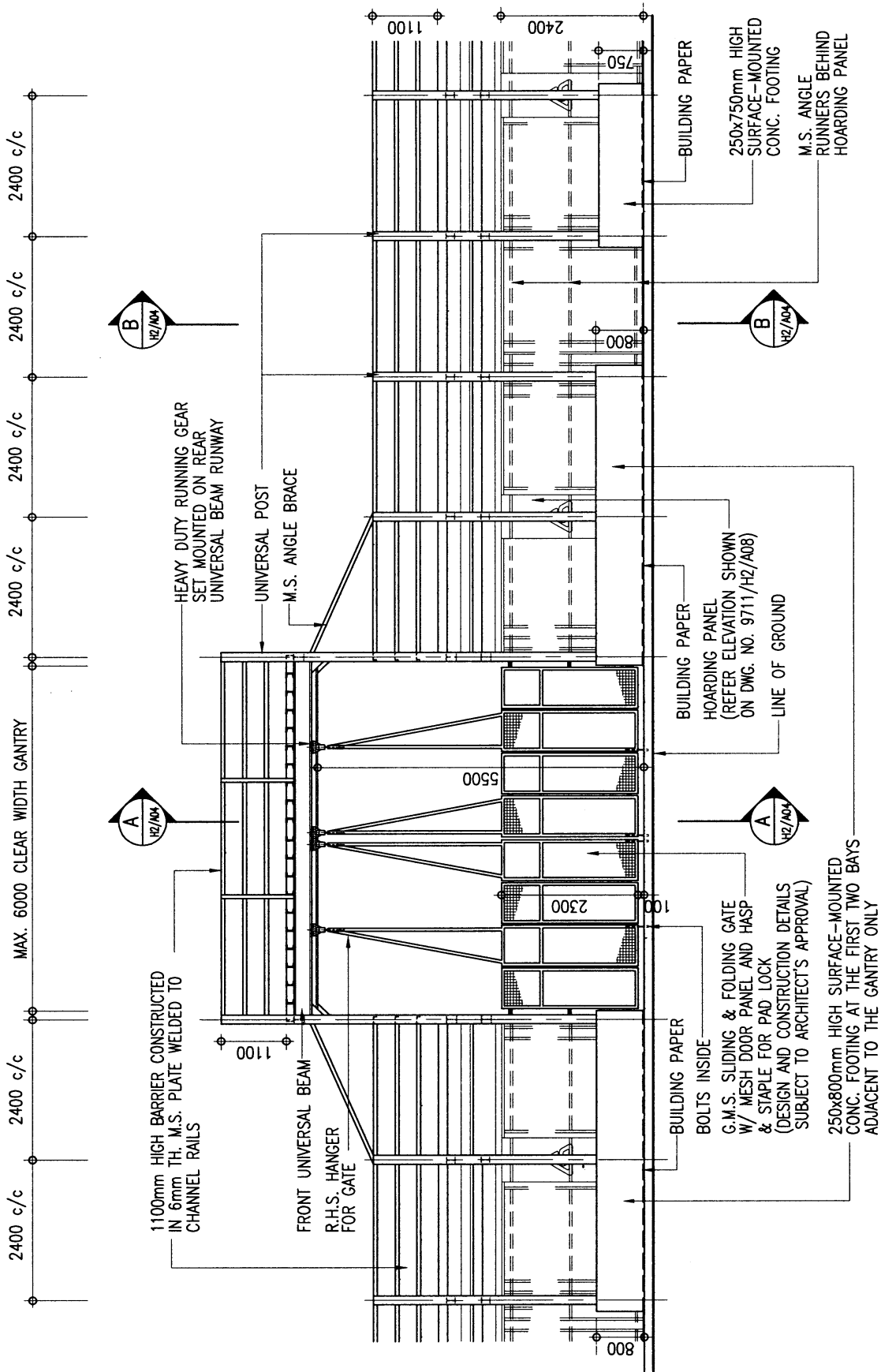
 ARCHITECTURAL SERVICES DEPARTMENT	Title <p style="text-align: center;">TYPE H2 HOARDING</p>	COVERED WALKWAY WITH DOUBLE DECK CATCH PLATFORM (SURFACE-MOUNTED FOOTING) GENERAL NOTES	Scale <p style="text-align: center;">NIL</p>	Drawing No. <p style="text-align: center;">9711/H2/A01</p>
	Checked by CA/ASC W.H. LEE <i>[Signature]</i>	Date 11.4.2018	Approved by AD(PS) C.K. HUI <i>[Signature]</i>	Date 12.4.2018



PLAN

SECTIONAL PLAN

 <p>ARCHITECTURAL SERVICES DEPARTMENT</p>	<p>Title</p> <p>TYPE H2 HOARDING</p>	<p>COVERED WALKWAY WITH DOUBLE DECK CATCH PLATFORM (SURFACE-MOUNTED FOOTING)</p> <p>PLANS</p>	<p>Scale</p> <p>1 : 100</p>	<p>Drawing No.</p> <p>9711/H2/A02</p>
	<p>Checked by</p> <p>CA/ASC T.S.K. TAM <i>T.S.K. TAM</i></p>	<p>Date</p> <p>28.2.11</p>	<p>Approved by</p> <p>AD(PS) S.W. FONG <i>S.W. FONG</i></p>	<p>Date</p> <p>1 MAR 2011</p>



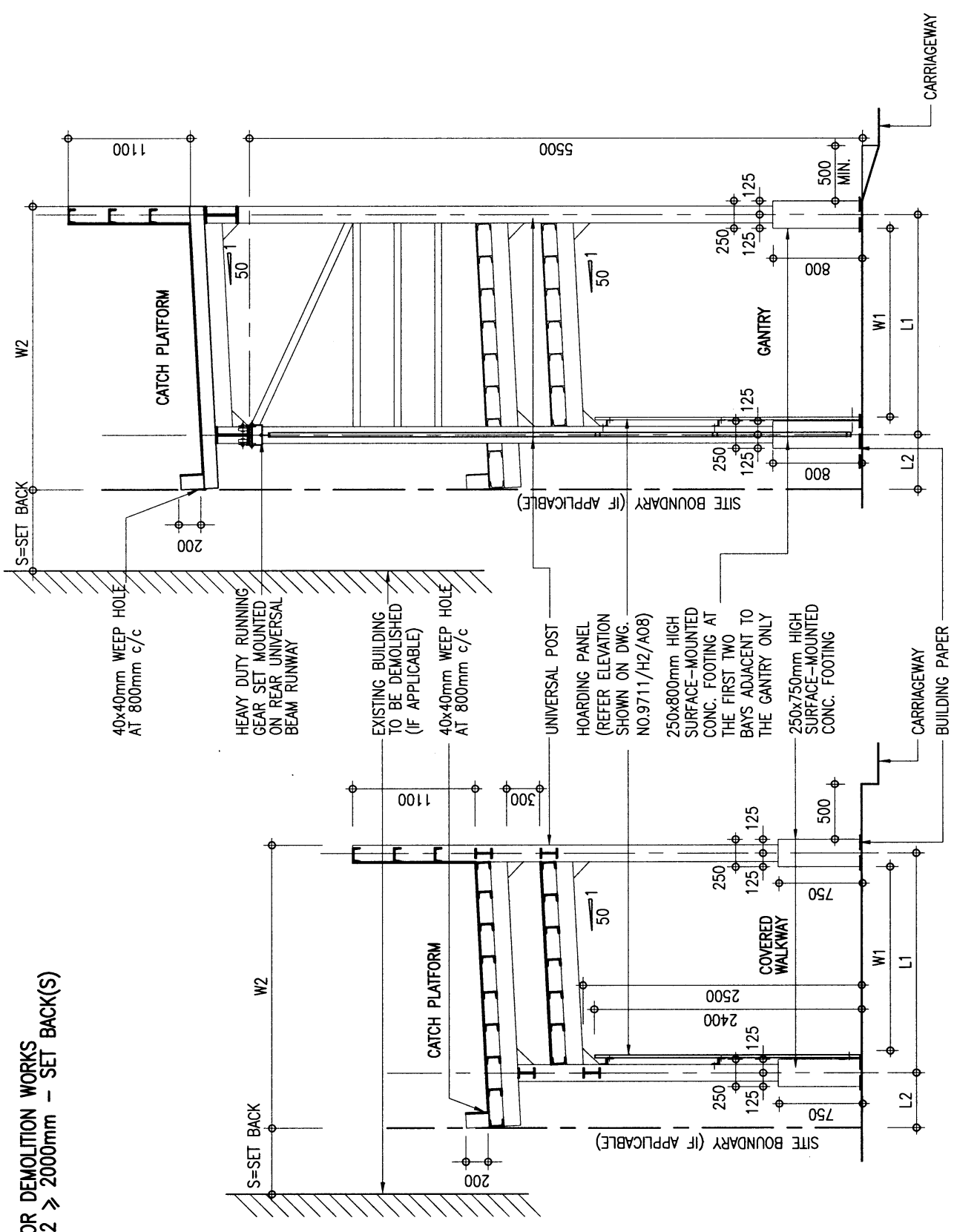
FRONT ELEVATION



ARCHITECTURAL
SERVICES
DEPARTMENT

Title TYPE H2 HOARDING	COVERED WALKWAY WITH DOUBLE DECK CATCH PLATFORM (SURFACE-MOUNTED FOOTING) ELEVATION	Scale 1 : 100	Drawing No. 9711/H2/A03
Checked by CA/ASC T.S.K. TAM <i>Tam</i>	Date 28-2-11	Approved by AD(PS) S.W. FONG <i>Fong</i>	Date - 1 MAR 2011

FOR DEMOLITION WORKS
 $W2 \geq 2000\text{mm}$ - SET BACK(S)



SECTION A-A

SECTION B-B



ARCHITECTURAL
 SERVICES
 DEPARTMENT

Title
TYPE H2 HOARDING
 COVERED WALKWAY WITH
 DOUBLE DECK CATCH PLATFORM
 (SURFACE-MOUNTED FOOTING)
 SECTIONS

Scale
 1 : 50

Drawing No.
9711/H2/A04

Checked by
 CA/ASC T.S.K. TAM *TAM*

Date
 28.2.11

Approved by
 AD(PS) S.W. FONG *FONG*

Date
 1 MAR 2011



ARCHITECTURAL
SERVICES
DEPARTMENT

Title

TYPE H2 HOARDING

COVERED WALKWAY WITH
DOUBLE DECK CATCH PLATFORM
(SURFACE-MOUNTED FOOTING)
CONSTRUCTION DETAILS 1

Scale

1 : 10

Drawing No.

9711/H2/A05

Checked by

CA/ASC T.S.K. TAM

T.S.K. TAM

Date

28.2.11

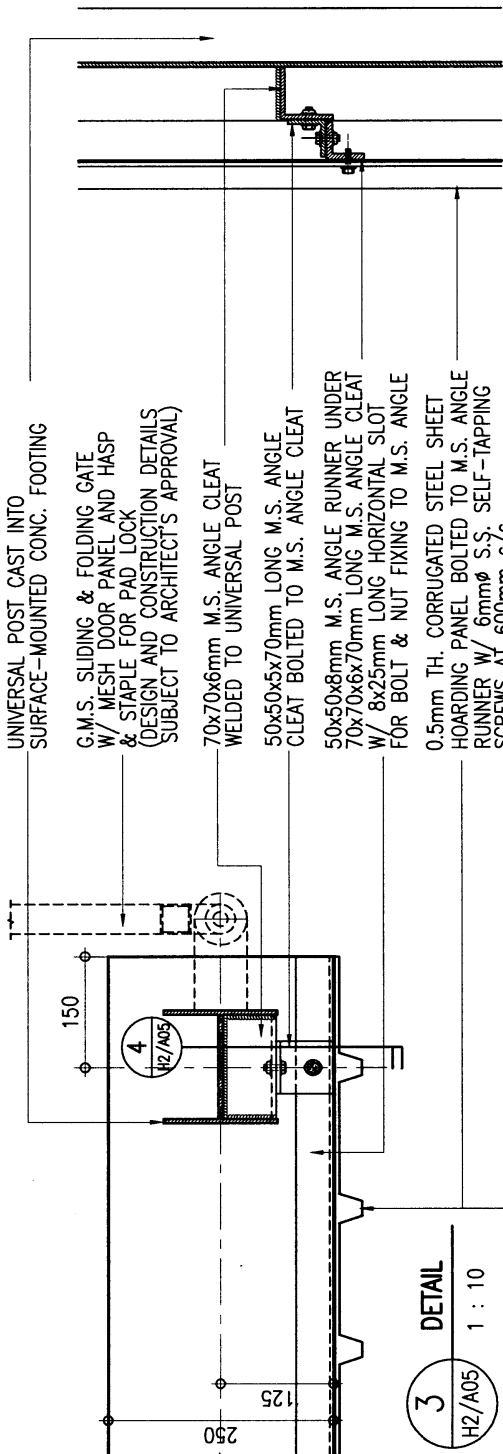
Approved by

AD(PS) S.W. FONG

S.W. FONG

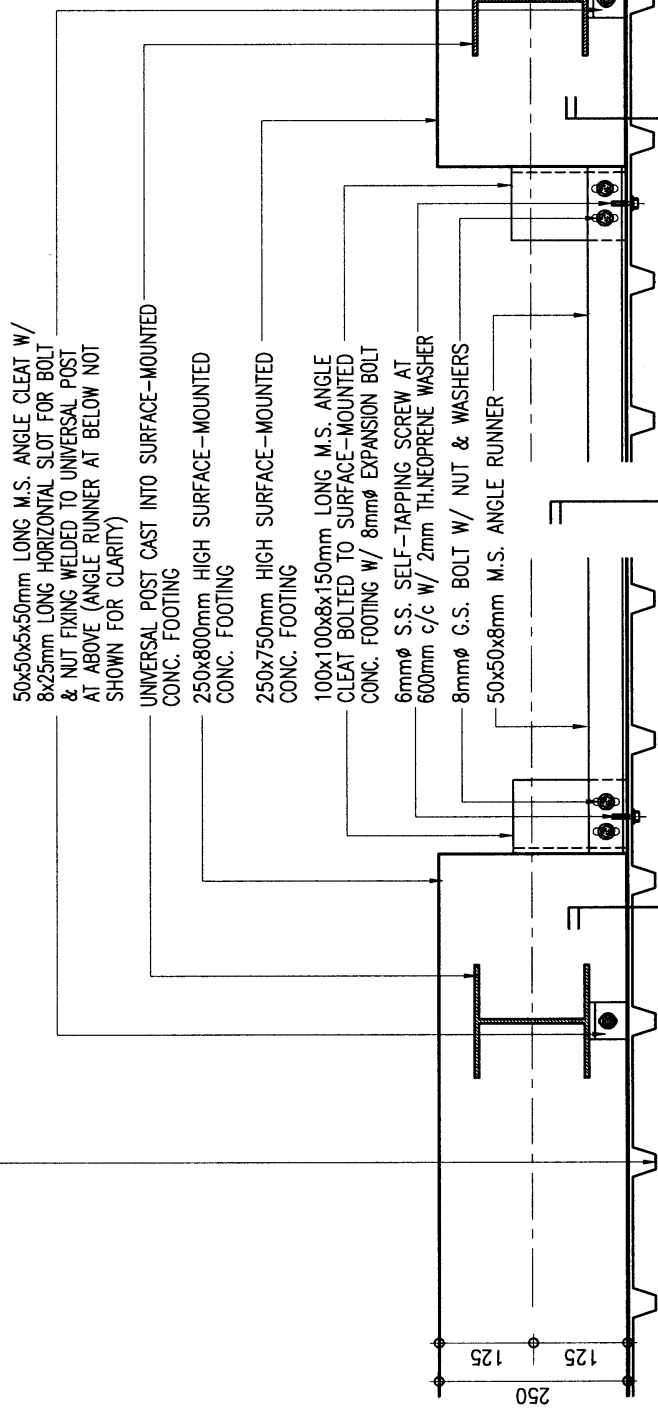
Date

1 MAR 2011



3
H2/A05
DETAIL
1 : 10

4
H2/A05
DETAIL
1 : 10

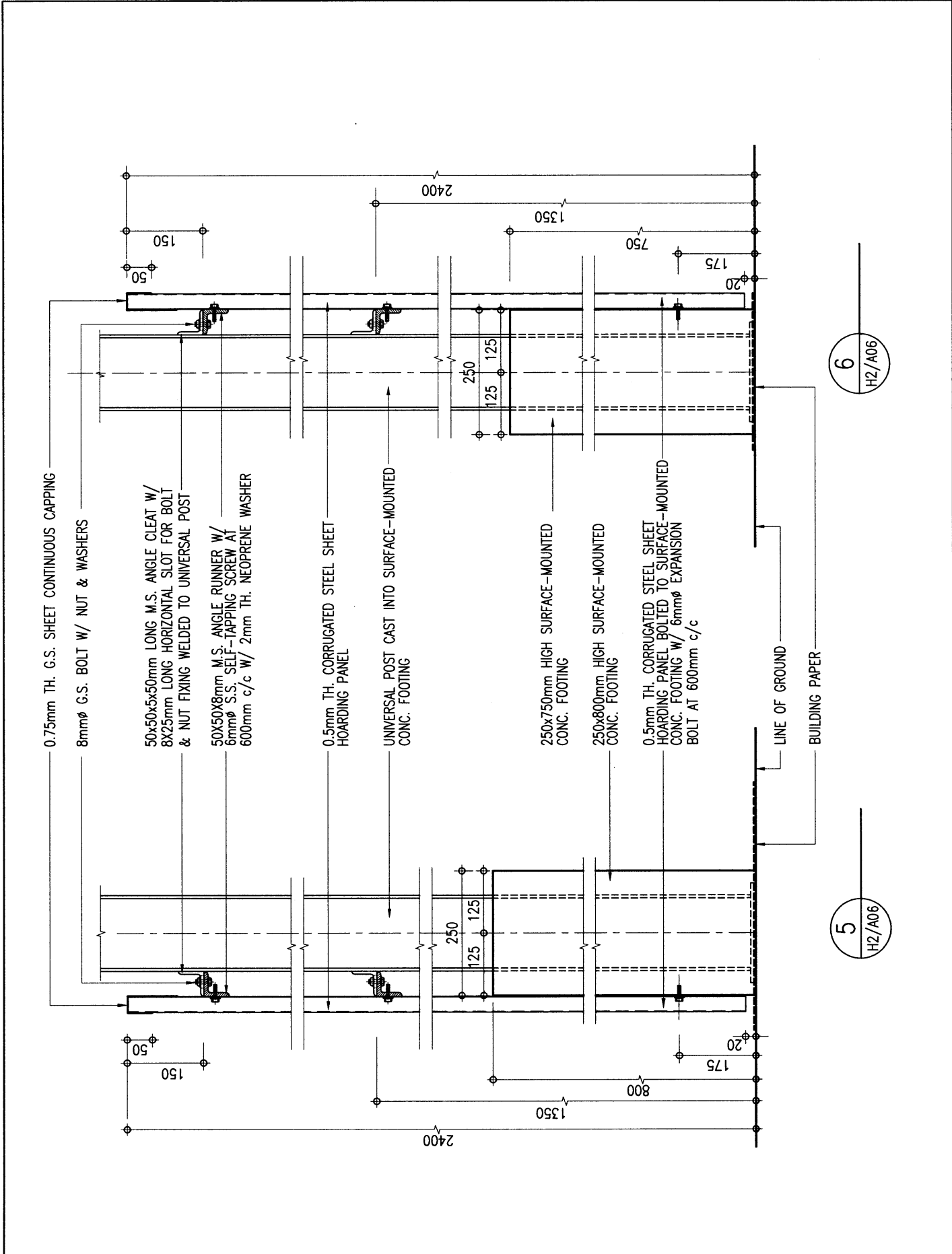


1
H2/A05
DETAIL
1 : 10

2
H2/A05
DETAIL
1 : 10

3
H2/A07

6
H2/A05



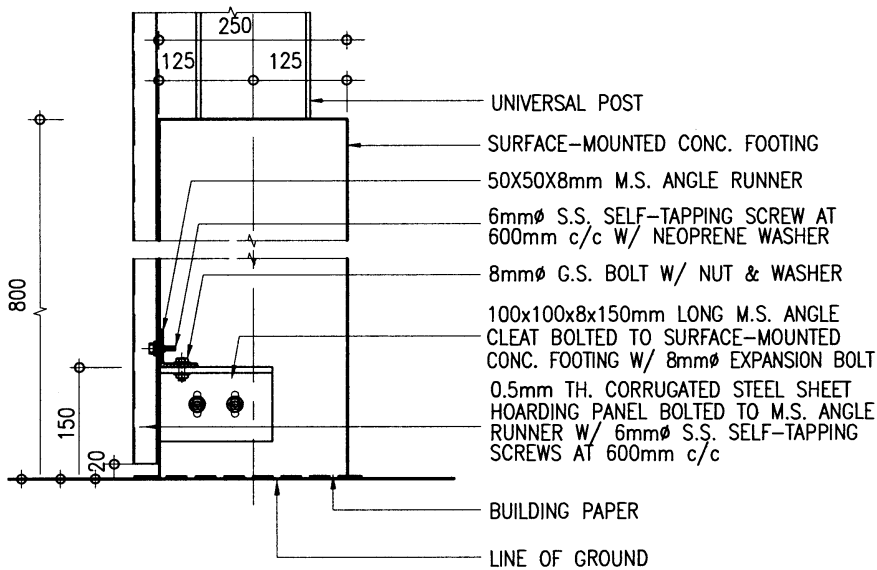
6
H2/A06

5
H2/A06

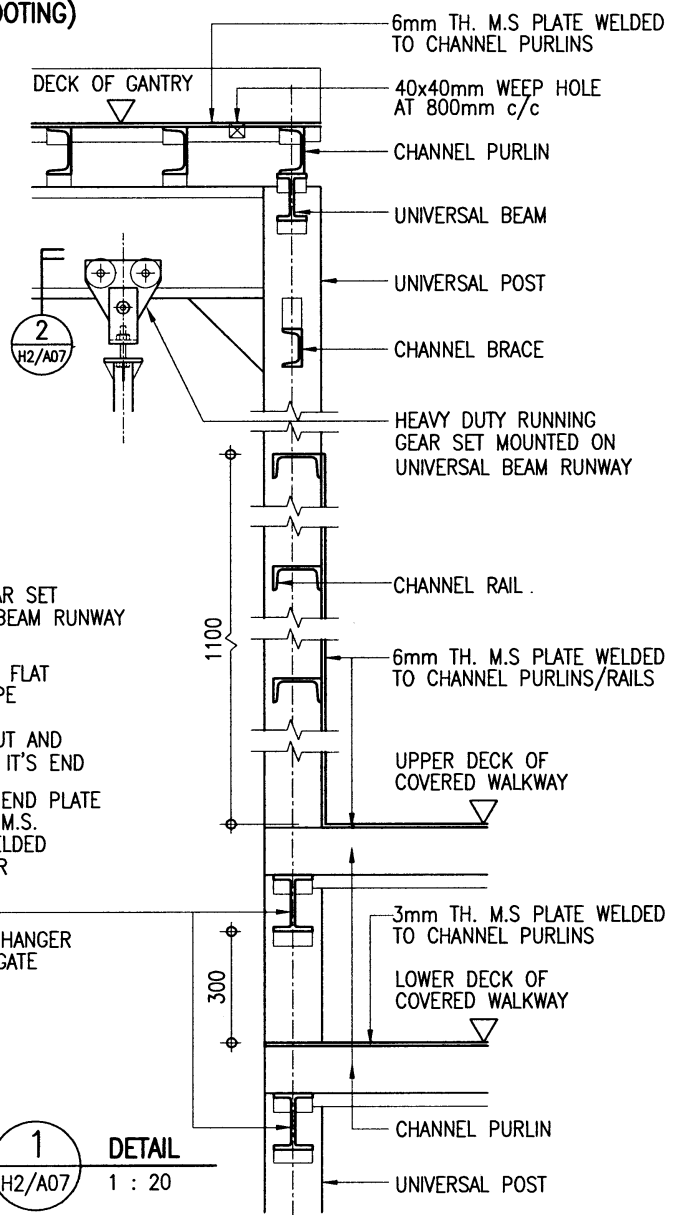


ARCHITECTURAL
SERVICES
DEPARTMENT

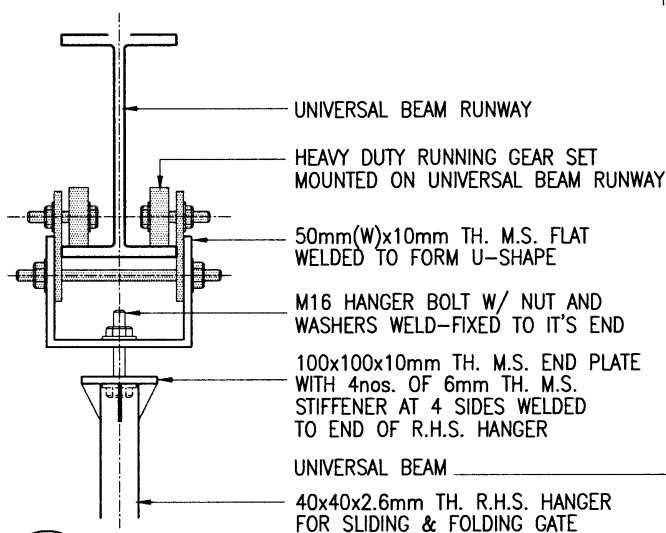
Title TYPE H2 HOARDING	COVERED WALKWAY WITH DOUBLE DECK CATCH PLATFORM (SURFACE-MOUNTED FOOTING) CONSTRUCTION DETAILS 2	Scale 1 : 10	Drawing No. 9711/H2/A06
Checked by CA/ASC T.S.K. TAM <i>T.S.K. TAM</i>	Date 28.2.11	Approved by AD(PS) S.W. FONG <i>S.W. FONG</i>	Date 1 MAR 2011



3 DETAIL (ALSO APPLICABLE TO 250X750mm SURFACE-MOUNTED CONC. FOOTING)
 H2/A07 1 : 10



1 DETAIL
 H2/A07 1 : 20



2 DETAIL*
 H2/A07 1 : 10

* THIS FIXING DETAIL IS FOR REFERENCE ONLY, SAMPLE OF RUNNING GEAR SET AND FIXING METHOD SHOULD BE SUBMITTED FOR APPROVAL BEFORE ORDERING.



ARCHITECTURAL SERVICES DEPARTMENT

Title	COVERED WALKWAY WITH DOUBLE DECK CATCH PLATFORM (SURFACE-MOUNTED FOOTING) CONSTRUCTION DETAILS 3	Scale	as shown	Drawing No.	9711/H2/A07
Checked by	CA/ASC T.S.K. TAM <i>T.S.K. TAM</i>	Date	28.2.11	Approved by	AD(PS) S.W. FONG <i>S.W. FONG</i>
				Date	1 MAR 2011



ARCHITECTURAL SERVICES DEPARTMENT

Title
COVERED WALKWAY WITH
TYPE H2 HOARDING -
DOUBLE DECK CATCH PLATFORM
(SURFACE-MOUNTED FOOTING)
STRUCTURAL DETAILS 1

Scale

1 : 50

Drawing No.

9711/H2/S01
(REV. B)

Checked by
CSE/3 K.L. LI

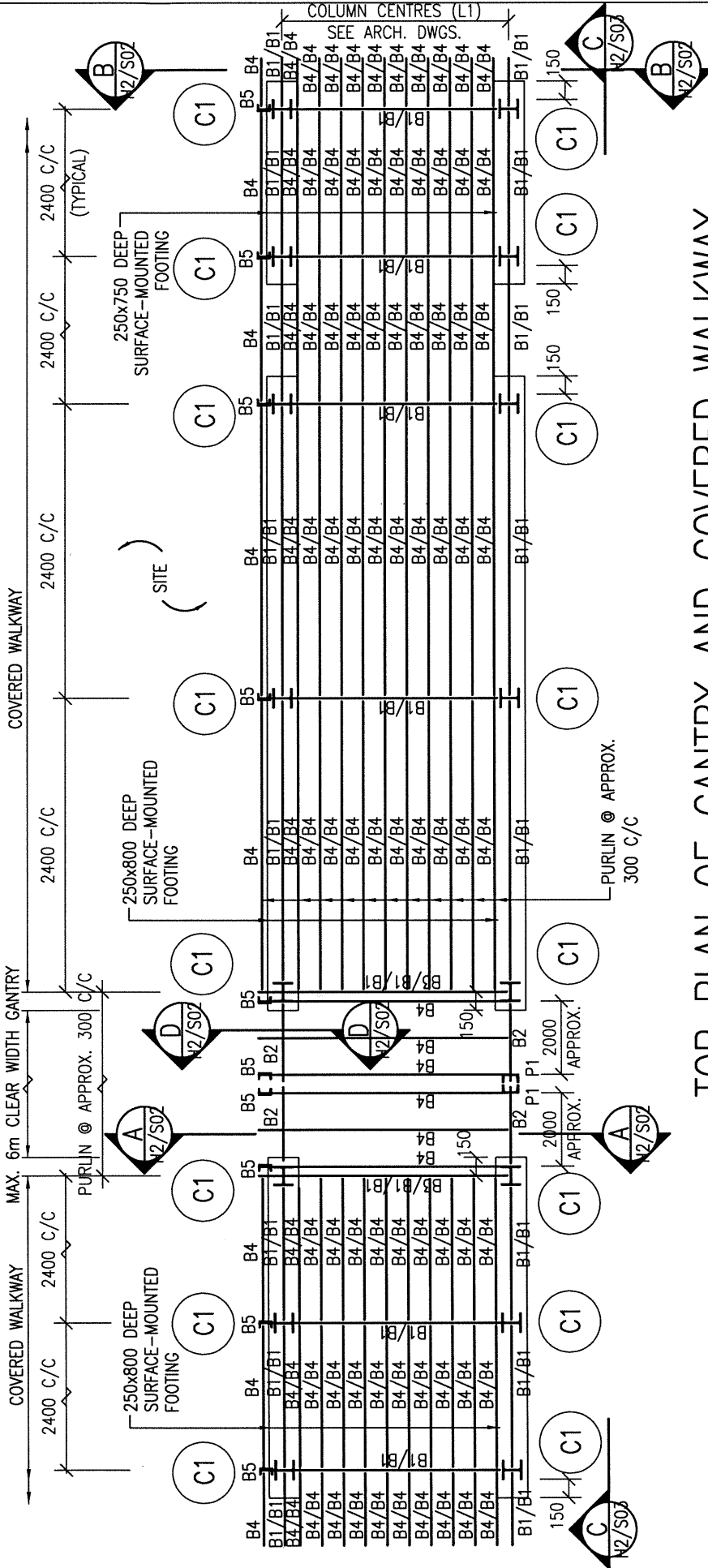
[Signature]

Date
24 FEB 2020

Approved by
AD(SE) K.L. TSE

[Signature]

Date
26 FEB 2020



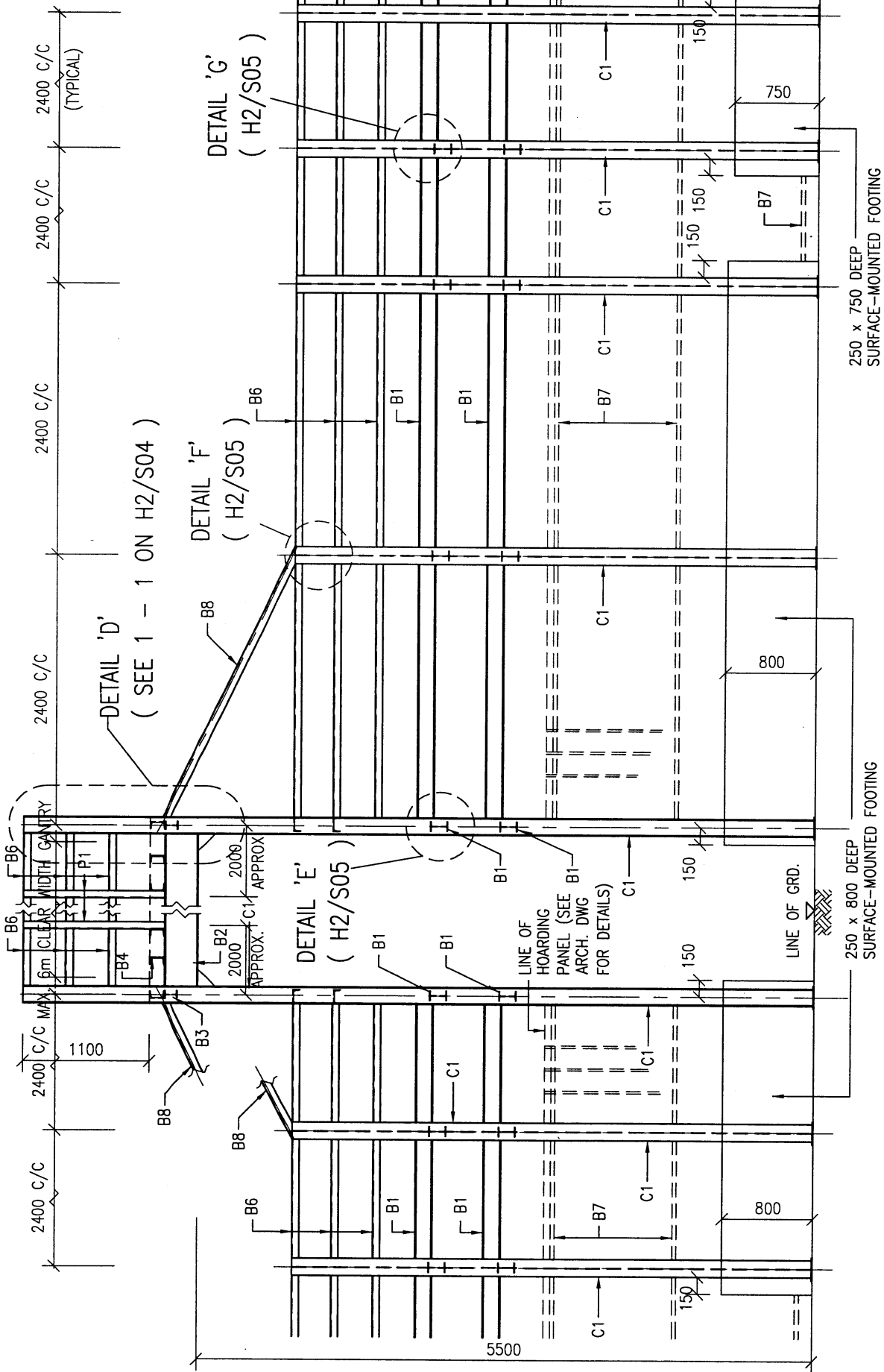
TOP PLAN OF GANTRY AND COVERED WALKWAY

- NOTES :
1. ALL WELDING TO BE 6mm F.W. ALL ROUND IN ACCORDANCE WITH BS EN 1011-1 UNLESS OTHERWISE STATED.
 2. ALL BOLTS TO BE GRADE 4.6 BLACK BOLTS TO BS 4190.
 3. ALL STRUCTURAL SECTIONS SHALL BE WELDABLE STRUCTURAL STEEL OF GRADE S275 UNLESS OTHERWISE SPECIFIED.
 4. THE DETAILS OF GANTRY MAY BE MODIFIED BY PROJECT OFFICER TO SUIT ACTUAL SITE CONDITIONS.
 5. ALL STEEL WORKS SHALL BE MANUALLY CLEANED TO GS CL. 15.61 (i), PRIMED WITH ONE COAT OF OIL BASED ZINC PHOSPHATE PRIMER AND FINISHED WITH TWO FINISHING COATS OF SYNTHETIC PAINT OF ALKYD RESIN BASE.
 6. THE COLUMN CENTRES, L1, SHOULD BE 1850mm \leq L1 \leq 3000mm.

STEEL MEMBER SCHEDULE


MEMBER MARK	MEMBER SIZE
C1	152 x 152 x 23 UC
B1	152 x 89 x 16 UB
B2	305 x 102 x 28 UB
B3	127 x 76 x 13 UB
B4, B6, P1	127 x 64 x 14.9 CHANNEL
B5	102 x 51 x 10.42 CHANNEL
B7	50 x 50 x 8 ANGLE
B8	70 x 70 x 6 ANGLE

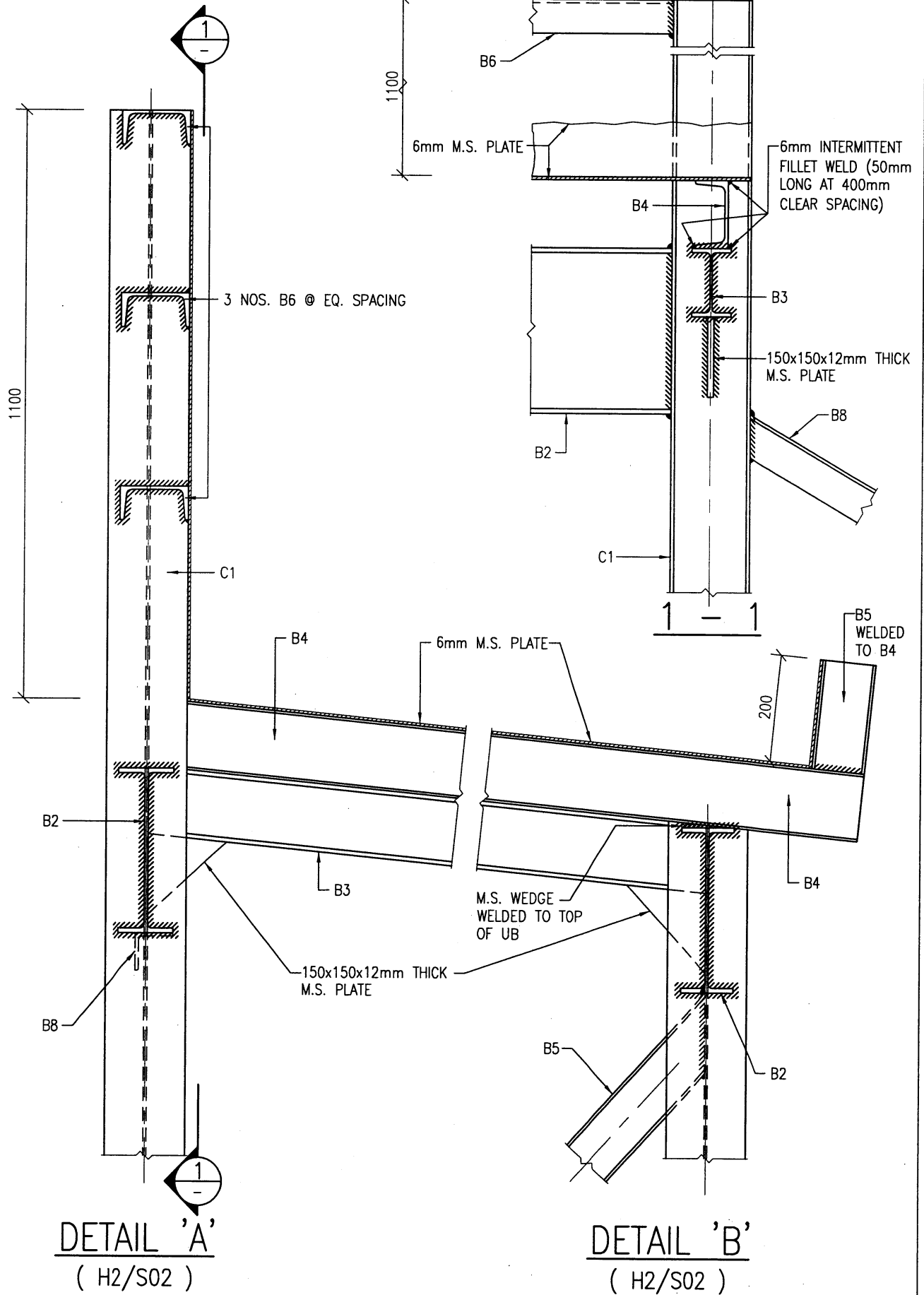
THE SKETCHES ARE PREPARED TO MEET THE GENERAL REQUIREMENTS AS SPECIFIED IN PNAF APP-102 ISSUED BY BD. SIZES OF FOOTINGS MAY BE MODIFIED BY PSE TO SUIT ACTUAL SITE CONDITIONS.



C - C


NOTES :-
 1. ALL FOOTINGS TO BE GRADE 20/20 MASS CONCRETE.

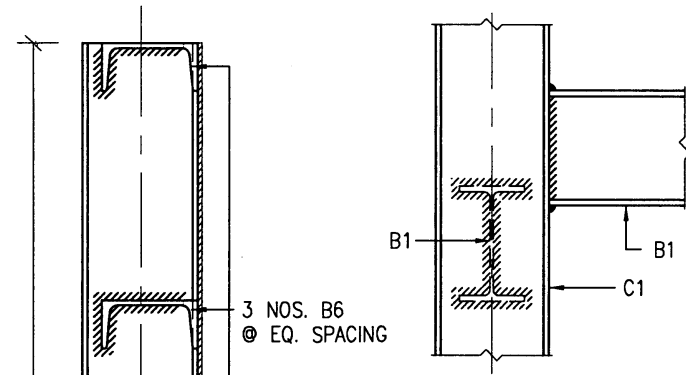
 ARCHITECTURAL SERVICES DEPARTMENT	Title COVERED WALKWAY WITH DOUBLE DECK CATCH PLATFORM (SURFACE-MOUNTED FOOTING) STRUCTURAL DETAILS 3		Scale 1 : 50	Drawing No. 9711/H2/S03
	Checked by CSE/3 S.C. KWAN	Date 24/1/11	Approved by AD(SE) W.W. LI	Date 25.1.11



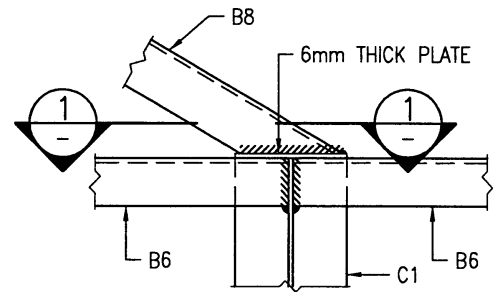
DETAIL 'A'
(H2/S02)

DETAIL 'B'
(H2/S02)

 ARCHITECTURAL SERVICES DEPARTMENT	Title COVERED WALKWAY WITH DOUBLE DECK CATCH PLATFORM (SURFACE-MOUNTED FOOTING) STRUCTURAL DETAILS 4		Scale 1 : 10	Drawing No. 9711/H2/S04
	Checked by CSE/3 S.C. KWAN	<i>k</i>	Date 24/1/11	Approved by AD(SE) W.W. LI
				Date 25.1.11

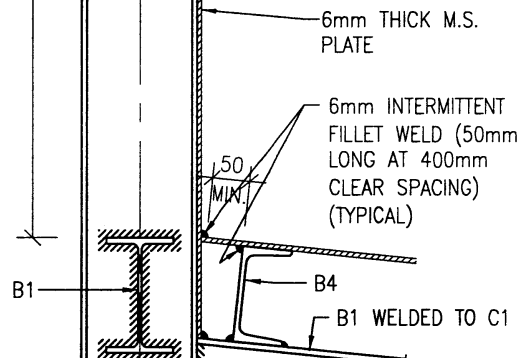


DETAIL 'E' 1 : 10
(H2/S03)

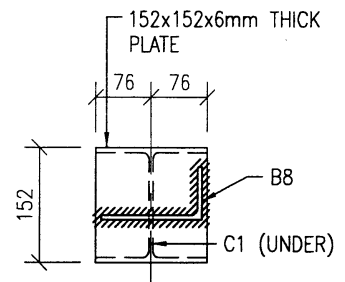


DETAIL 'F' 1 : 10
(FLANGE OF C1 NOT SHOWN FOR CLARITY)
(H2/S03)

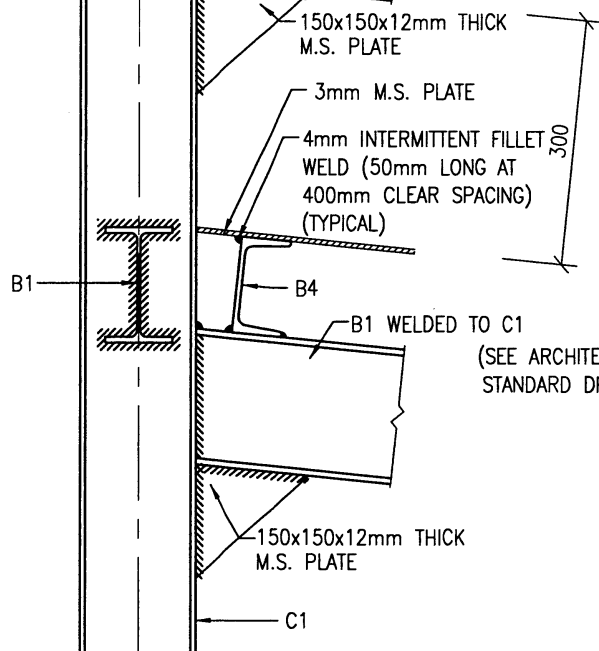
1100



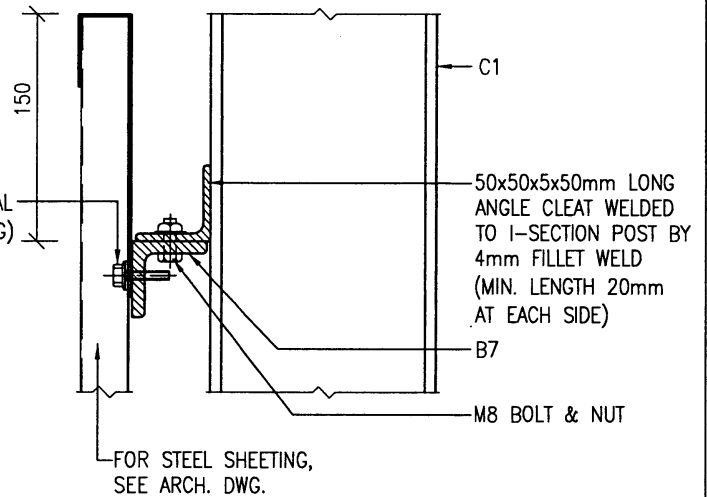
DETAIL 'G' 1 : 10
(FLANGE OF C1 NOT SHOWN FOR CLARITY)
(H2/S03)



1 - 1 1 : 10
(B6 NOT SHOWN FOR CLARITY)



DETAIL 'C' 1 : 10
(H2/S02)



DETAIL 'H' 1 : 5
(H2/S02)

<p>ARCHITECTURAL SERVICES DEPARTMENT</p>	<p>Title COVERED WALKWAY WITH DOUBLE DECK CATCH PLATFORM (SURFACE-MOUNTED FOOTING) STRUCTURAL DETAILS 5</p>		<p>Scale 1 : 10 1 : 5</p>	<p>Drawing No. 9711/H2/S05</p>
	<p>Checked by CSE/3 S.C. KWAN <i>le</i></p>	<p>Date 24/1/11</p>	<p>Approved by AD(SE) W.W. LI <i>W.W. LI</i></p>	<p>Date 25.1.11</p>